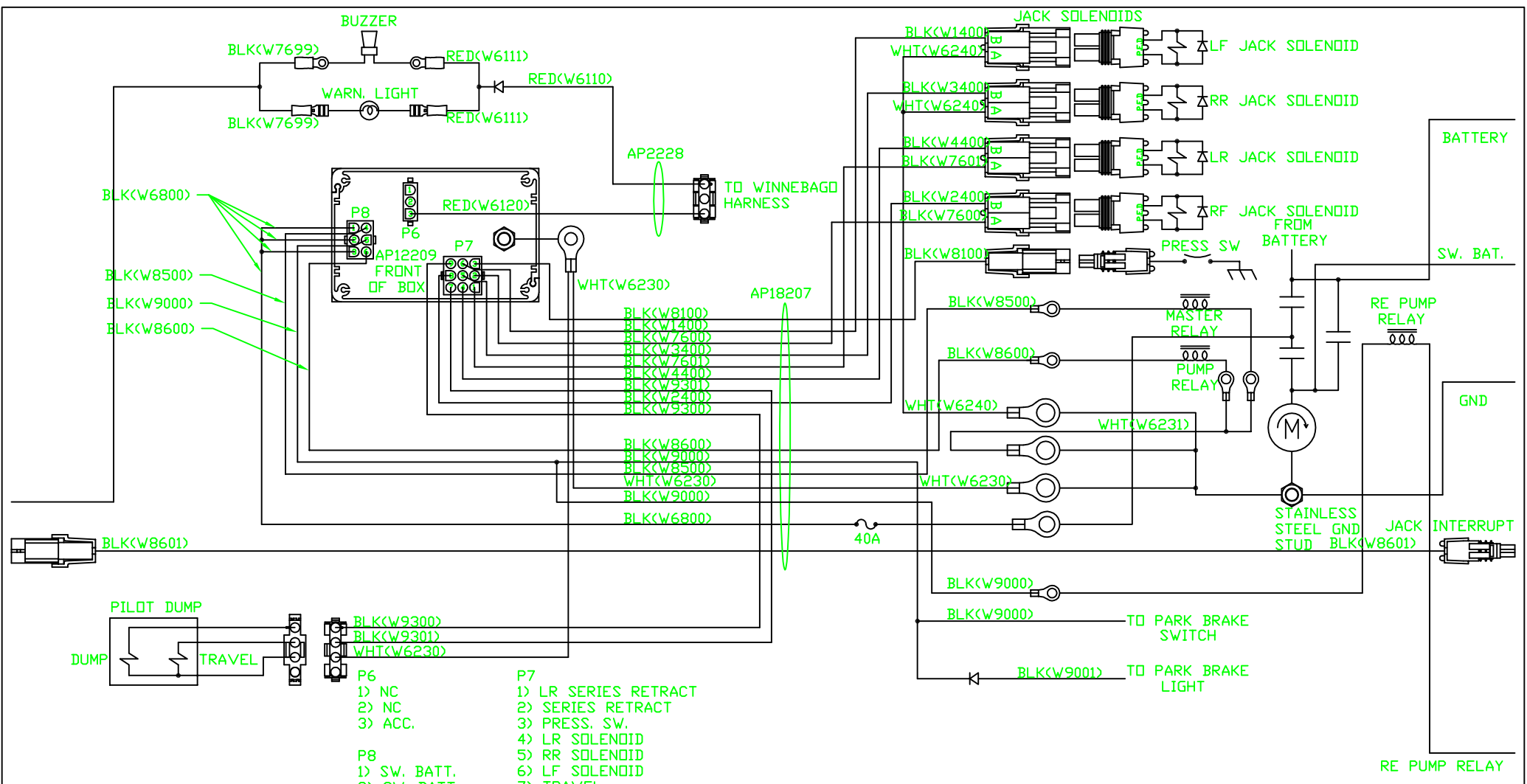


UNAPPROVED

MP88.44
19APR9

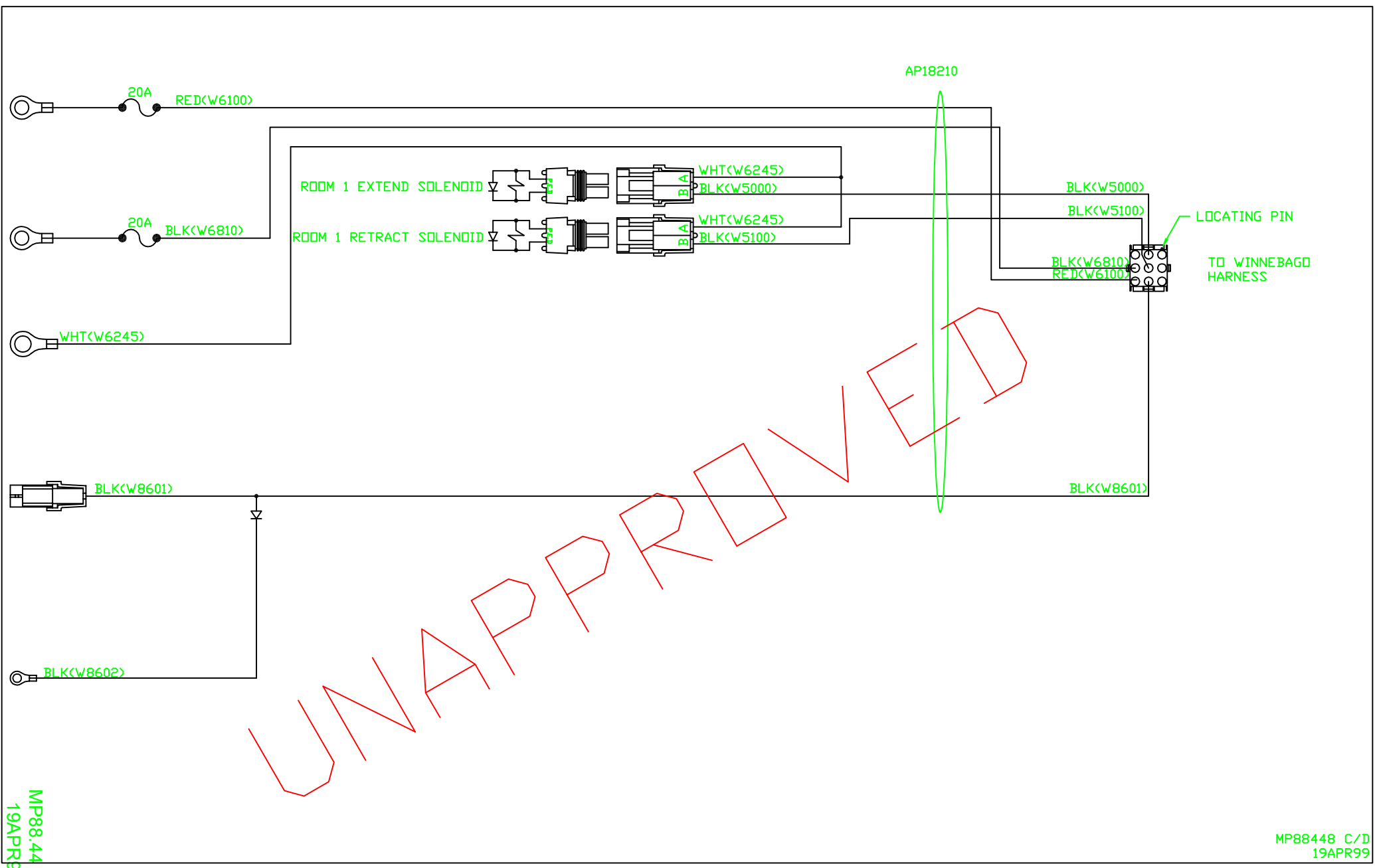
		HWH I-80 EXIT 267 SOUTH RT 1 MOSCOW, IOWA 52760	
		SCALE 1:2	DATE 19APR99
		DRAWN BY .	
NO.	DATE	REVISION	
THE INFORMATION DISCLOSED ON THIS DRAWING IS CONFIDENTIAL AND MUST NOT BE DISCLOSED OR USED IN ANY MANNER WHICH WILL BE DETRIMENTAL TO THE HWH CORPORATION			
		SCHEMATIC SYSTEM	
		ELECTRICAL	DRAWING NUMBER MP88448 A/D



UNAPPROVED

MP88.44
19A R9

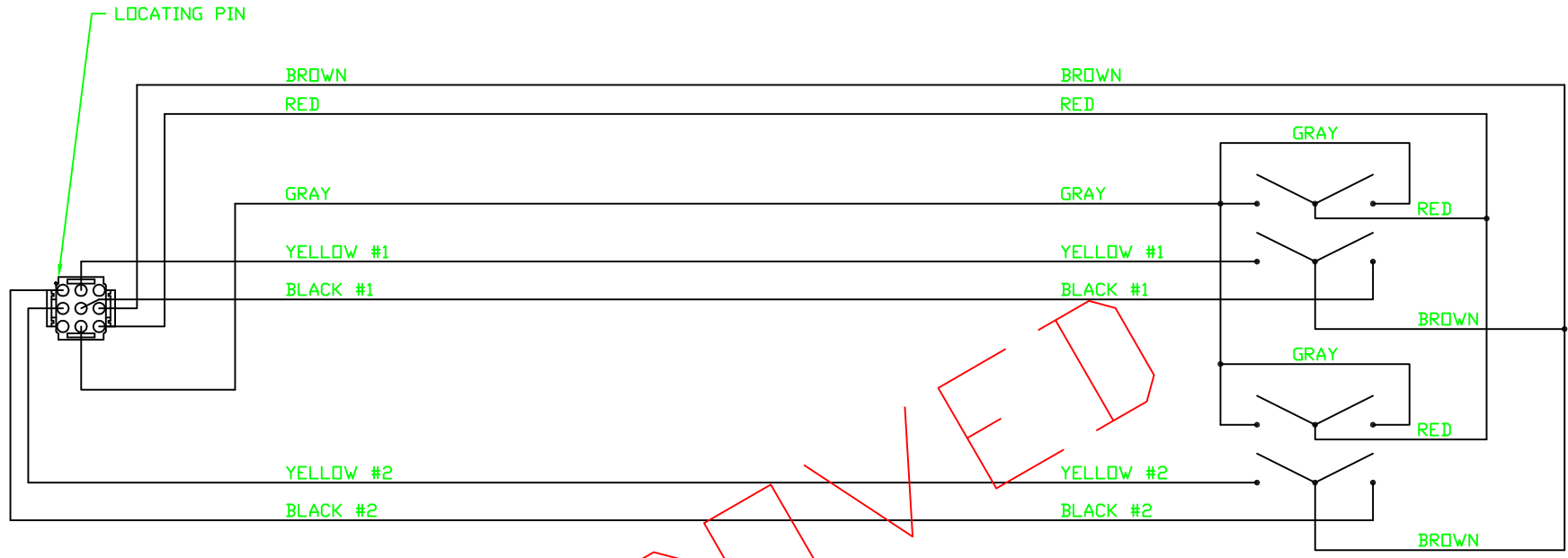
MP88448 B/D
19APR99



MP88.44
19APR99

MP88448 C/D
19APR99

NOT SUPPLIED BY HWH



UNAPPROVED

MP88.44
19APR99

MP88448 D/D
19APR99