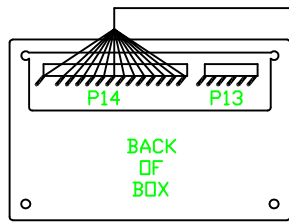
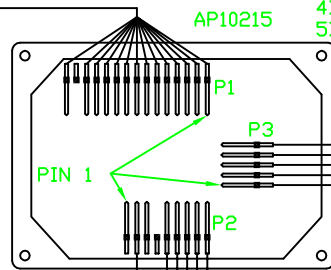


# UNAPPROVED

- P14 - P1
- 1) BLUE (WARN SENSE)
  - 2) BROWN (SERIES)
  - 3) GRAY (SW. ACC.)
  - 4) PURPLE (FUSED ACC.)
  - 5) BLACK/WHITE (STORE RETURN)
  - 6) BLACK (PARK BRAKE)
  - 7) WHITE/BLACK (GND)
  - 8) WHITE (DUMP)
  - 9) ORANGE/BLACK (STORE)
  - 10) ORANGE (PUMP)
  - 11) GREEN (LF)
  - 12) GREEN/BLACK (LR)
  - 13) RED/BLACK (RR)
  - 14) NC (KEYING PIN)
  - 15) RED (RF)



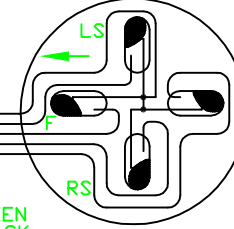
AP10076



AP10215

- P3
- 1) RR SENSE. (RED)
  - 2) RS SENSE. (GREEN)
  - 3) FR SENSE. (BLACK)
  - 4) LS SENSE. (YELLOW)
  - 5) GND (WHITE)

AP6798

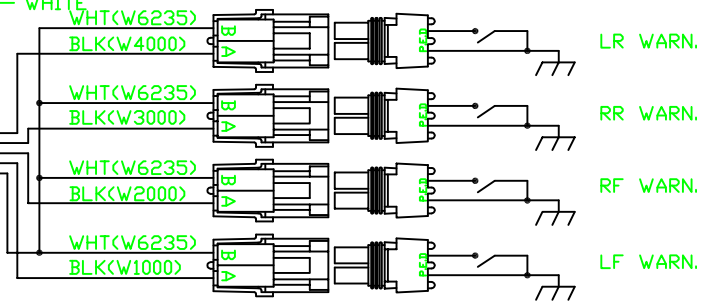


- P2
- 1) GND
  - 2) LF WARN
  - 3) RF WARN
  - 4) RR WARN
  - 5) LR WARN
  - 6) KEY PIN
  - 7) NC
  - 8) WARN LIGHT CNTRL.
  - 9) NC

- RED  
GREEN  
BLACK  
YELLOW  
WHITE

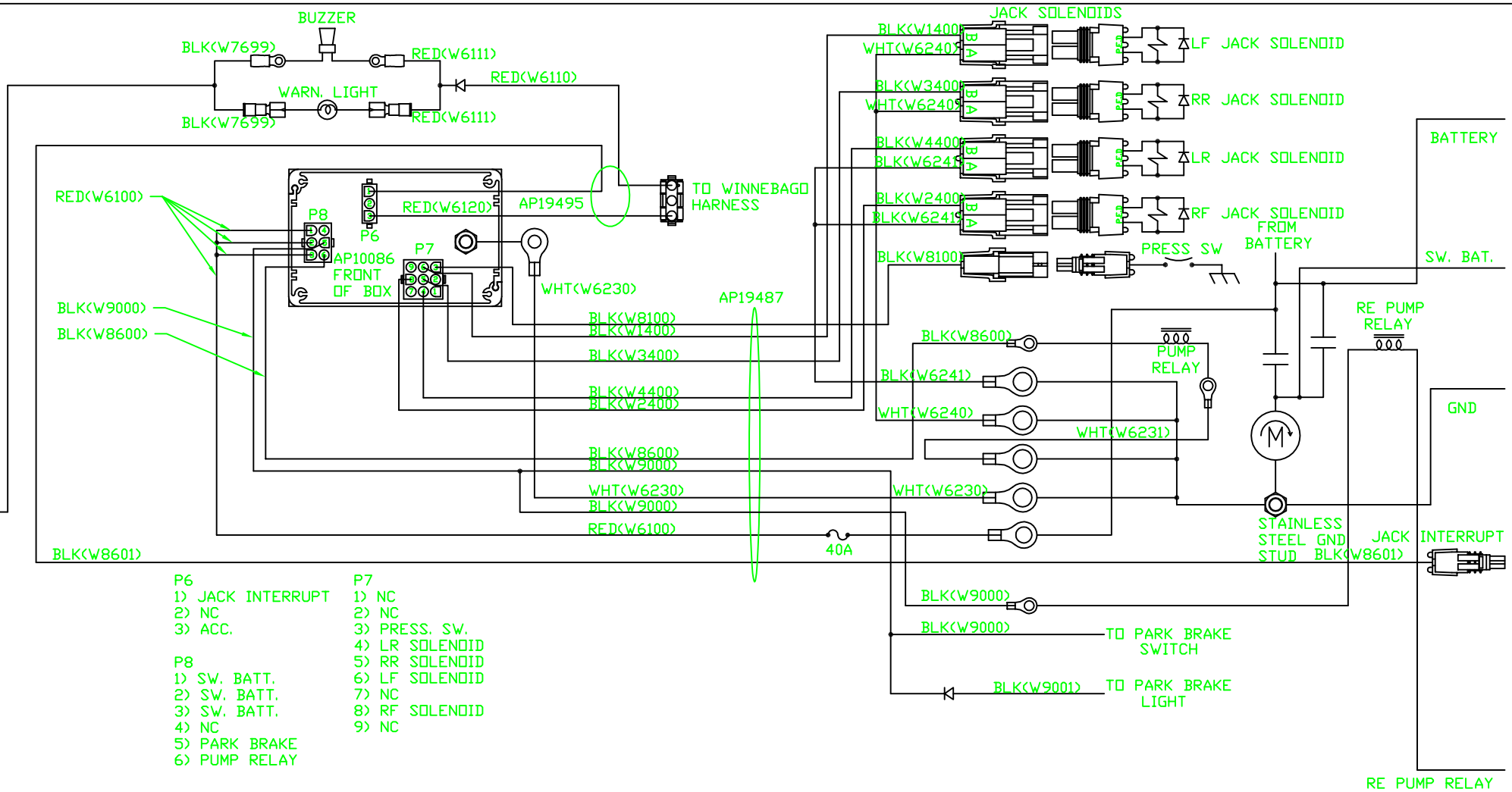
AP19757

AP20395



			HWH I-80 EXIT 267 SOUTH RT 1 MOSCOW, IOWA 52760		
		SCALE 1:2	DATE 19APR99	DRAWN BY .	
			SCHEMATIC SYSTEM		
NO.	DATE	REVISION			
THE INFORMATION DISCLOSED ON THIS DRAWING IS CONFIDENTIAL AND MUST NOT BE DISCLOSED OR USED IN ANY MANNER WHICH WILL BE DETRIMENTAL TO THE HWH CORPORATION			ELECTRICAL		DRAWING NUMBER MP88449 A/D

MP88.44  
19APR99

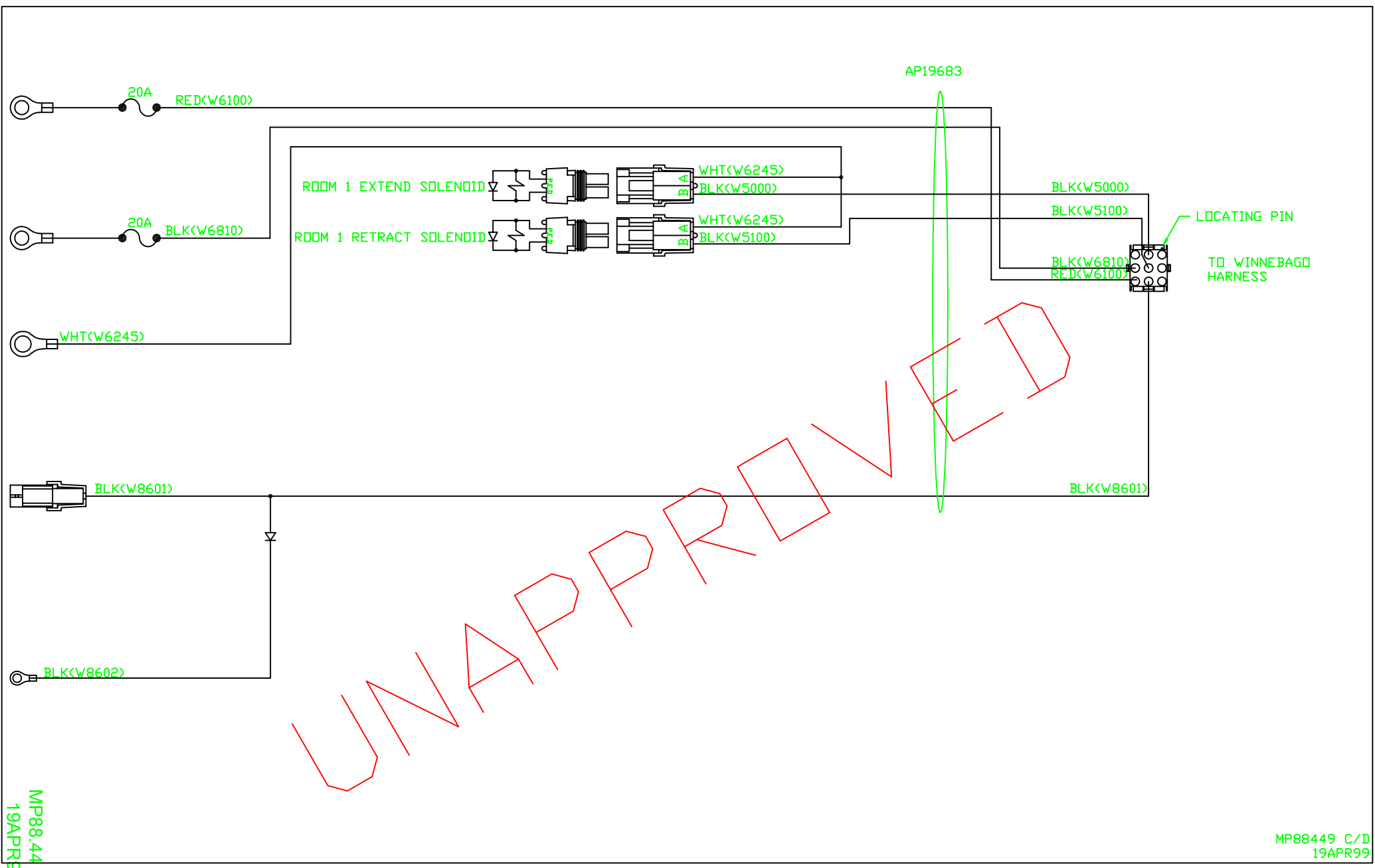


- |                   |                |
|-------------------|----------------|
| P6                | P7             |
| 1) JACK INTERRUPT | 1) NC          |
| 2) NC             | 2) NC          |
| 3) ACC.           | 3) PRESS. SW.  |
| P8                | 4) LR SOLENOID |
| 1) SW. BATT.      | 5) RR SOLENOID |
| 2) SW. BATT.      | 6) LF SOLENOID |
| 3) SW. BATT.      | 7) NC          |
| 4) NC             | 8) RF SOLENOID |
| 5) PARK BRAKE     | 9) NC          |
| 6) PUMP RELAY     |                |

UNAPPROVED

MP88.44  
19APR99

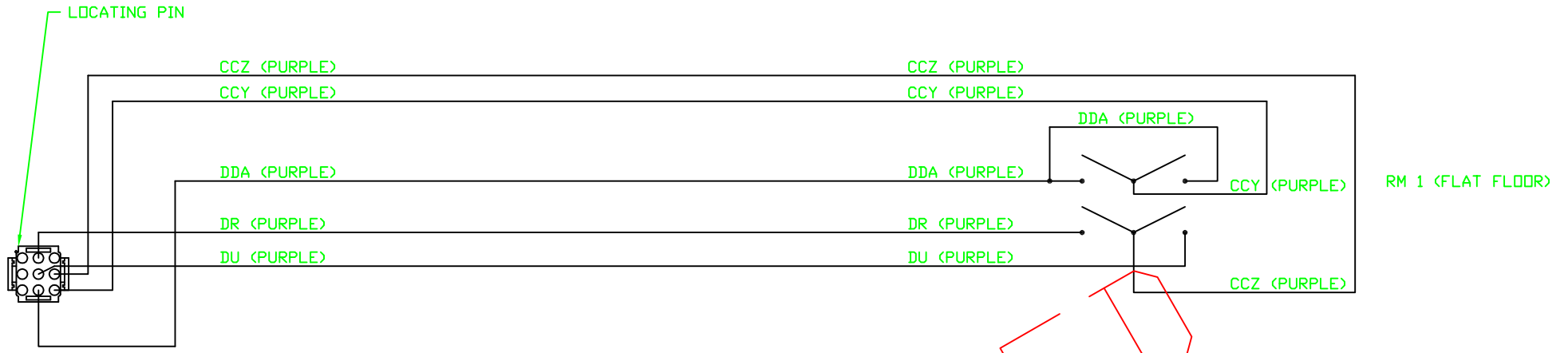
MP88449 B/D  
19APR99



MP88.44  
19APR99

MP88449 C/D  
19APR99

NOT SUPPLIED BY HWH



- PIN 1) NC
- PIN 2) NC
- PIN 3) NC
- PIN 4) DR - ROOM 1 EXTEND
- PIN 5) DU - ROOM 1 RETRACT
- PIN 6) DDA - ROOM 1 PUMP RELAY
- PIN 7) NC
- PIN 8) CCZ - SWITCHED BATTERY POWER
- PIN 9) CCY - BATTERY POWER

UNAPPROVED

MP88.44  
19APR99

MP88449 D/D  
19APR99