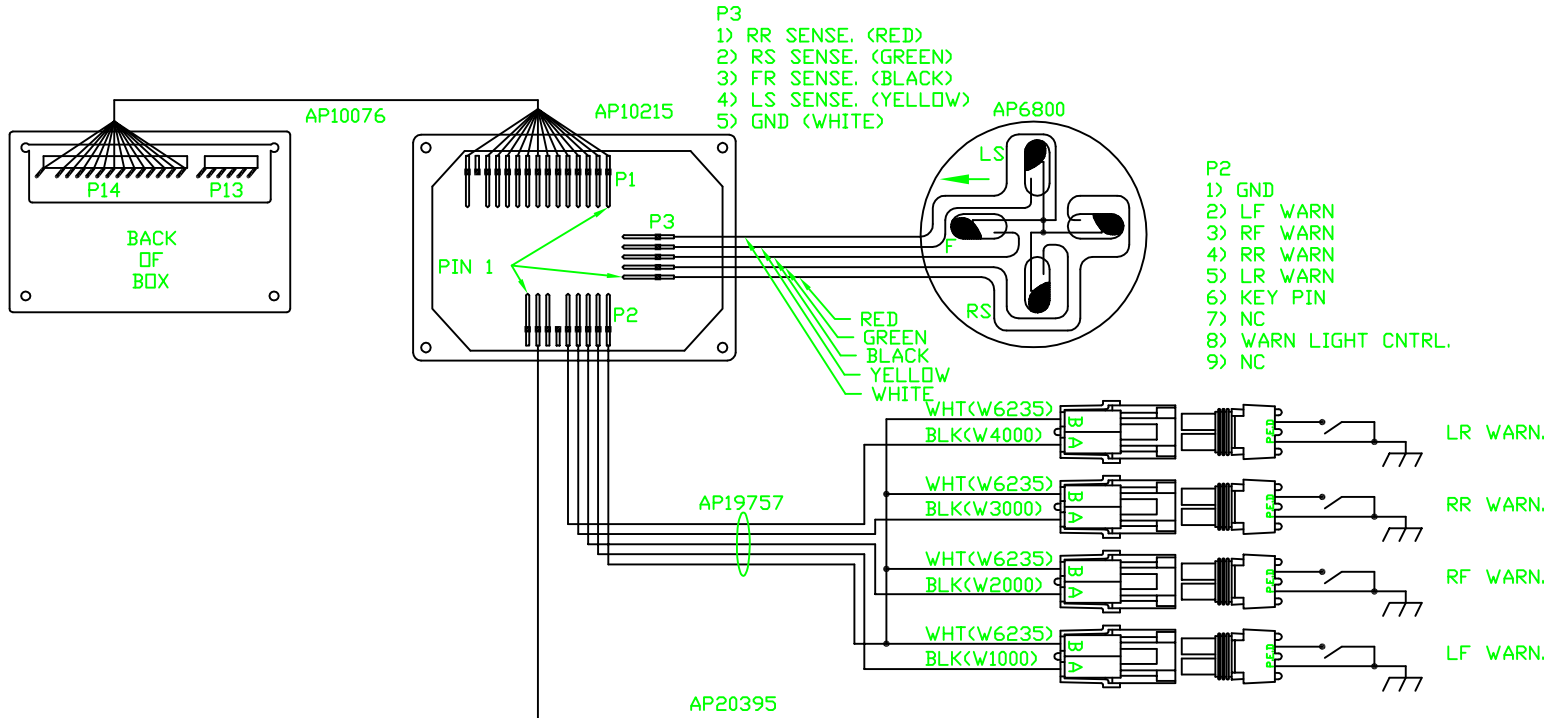


UNAPPROVED

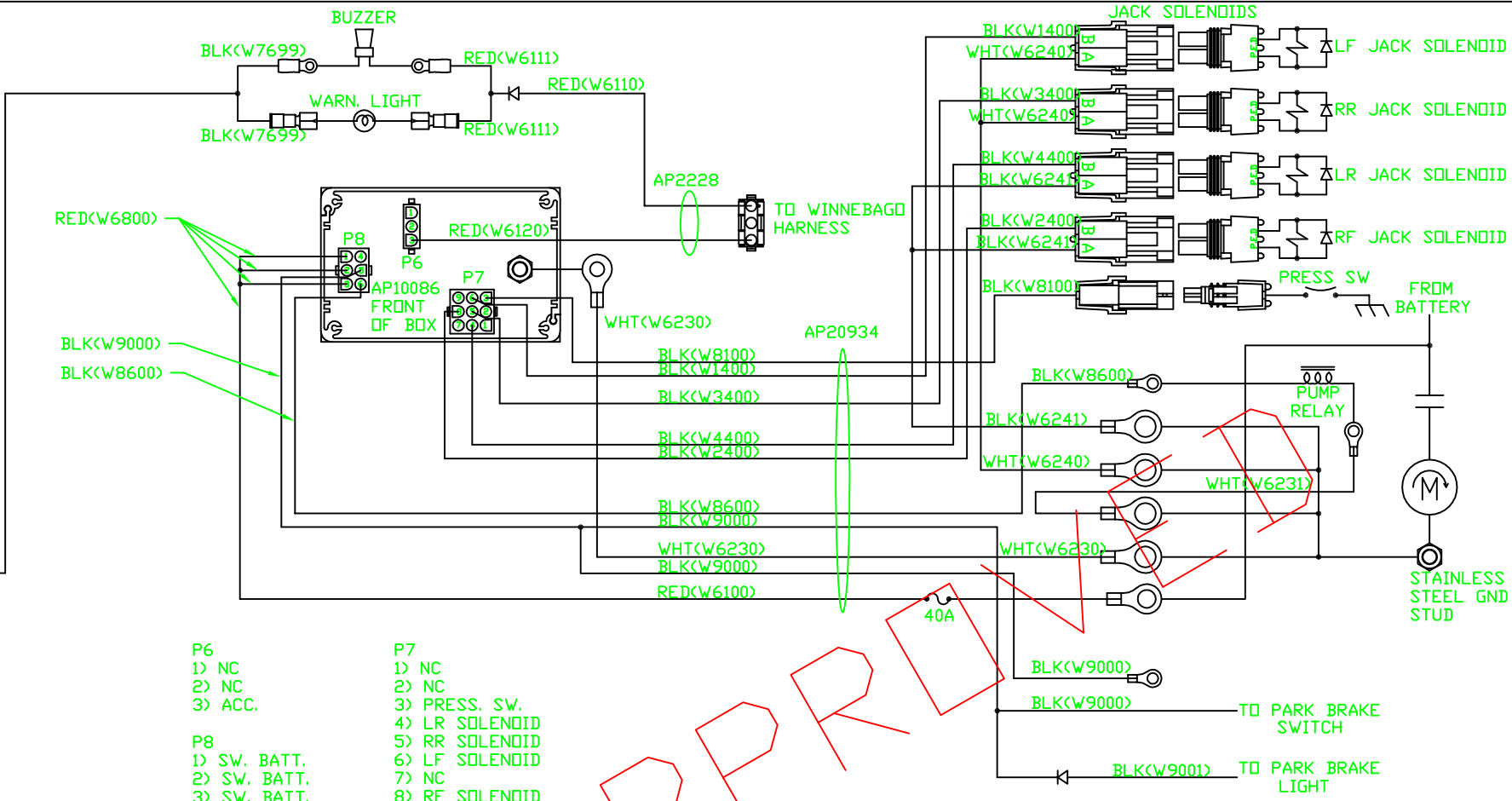
- P14 - P1
- 1) BLUE (WARN SENSE)
 - 2) BROWN (SERIES)
 - 3) GRAY (SW. ACC.)
 - 4) PURPLE (FUSED ACC.)
 - 5) BLACK/WHITE (STORE RETURN)
 - 6) BLACK (PARK BRAKE)
 - 7) WHITE/BLACK (GND)
 - 8) WHITE (DUMP)
 - 9) ORANGE/BLACK (STORE)
 - 10) ORANGE (PUMP)
 - 11) GREEN (LF)
 - 12) GREEN/BLACK (LR)
 - 13) RED/BLACK (RR)
 - 14) NC (KEYING PIN)
 - 15) RED (RF)



		HWH I-80 EXIT 267 SOUTH RT 1 MOSCOW, IDWA 52760	
		SCALE 1:2	DATE 14SEP99
		DRAWN BY .	
NO.	DATE	REVISION	
THE INFORMATION DISCLOSED ON THIS DRAWING IS CONFIDENTIAL AND MUST NOT BE DISCLOSED OR USED IN ANY MANNER WHICH WILL BE DETRIMENTAL TO THE HWH CORPORATION		DRAWING NUMBER MP88557 A/B	

MP88.55
14SEP99

SCHEMATIC SYSTEM
ELECTRICAL



- | | |
|---|---|
| <p>P6</p> <ol style="list-style-type: none"> 1) NC 2) NC 3) ACC. <p>P8</p> <ol style="list-style-type: none"> 1) SW. BATT. 2) SW. BATT. 3) SW. BATT. 4) NC 5) PARK BRAKE 6) PUMP RELAY | <p>P7</p> <ol style="list-style-type: none"> 1) NC 2) NC 3) PRESS. SW. 4) LR SOLENOID 5) RR SOLENOID 6) LF SOLENOID 7) NC 8) RF SOLENOID 9) NC |
|---|---|

UNAPPROVED