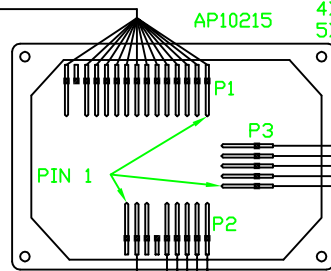
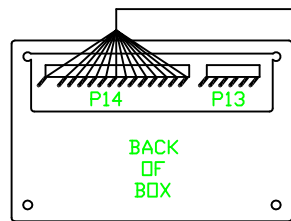
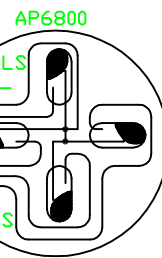


# UNAPPROVED

- P14 - P1
- 1) BLUE (WARN SENSE)
  - 2) BROWN (SERIES)
  - 3) GRAY (SW. ACC.)
  - 4) PURPLE (FUSED ACC.)
  - 5) BLACK/WHITE (STORE RETURN)
  - 6) BLACK (PARK BRAKE)
  - 7) WHITE/BLACK (GND)
  - 8) WHITE (DUMP)
  - 9) ORANGE/BLACK (STORE)
  - 10) ORANGE (PUMP)
  - 11) GREEN (LF)
  - 12) GREEN/BLACK (LR)
  - 13) RED/BLACK (RR)
  - 14) NC (KEYING PIN)
  - 15) RED (RF)

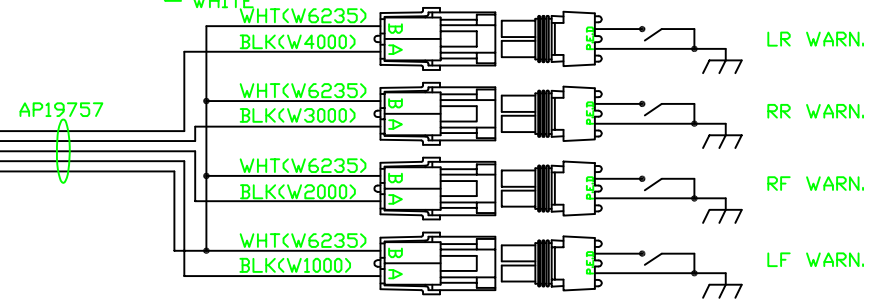


- P3
- 1) RR SENSE. (RED)
  - 2) RS SENSE. (GREEN)
  - 3) FR SENSE. (BLACK)
  - 4) LS SENSE. (YELLOW)
  - 5) GND (WHITE)



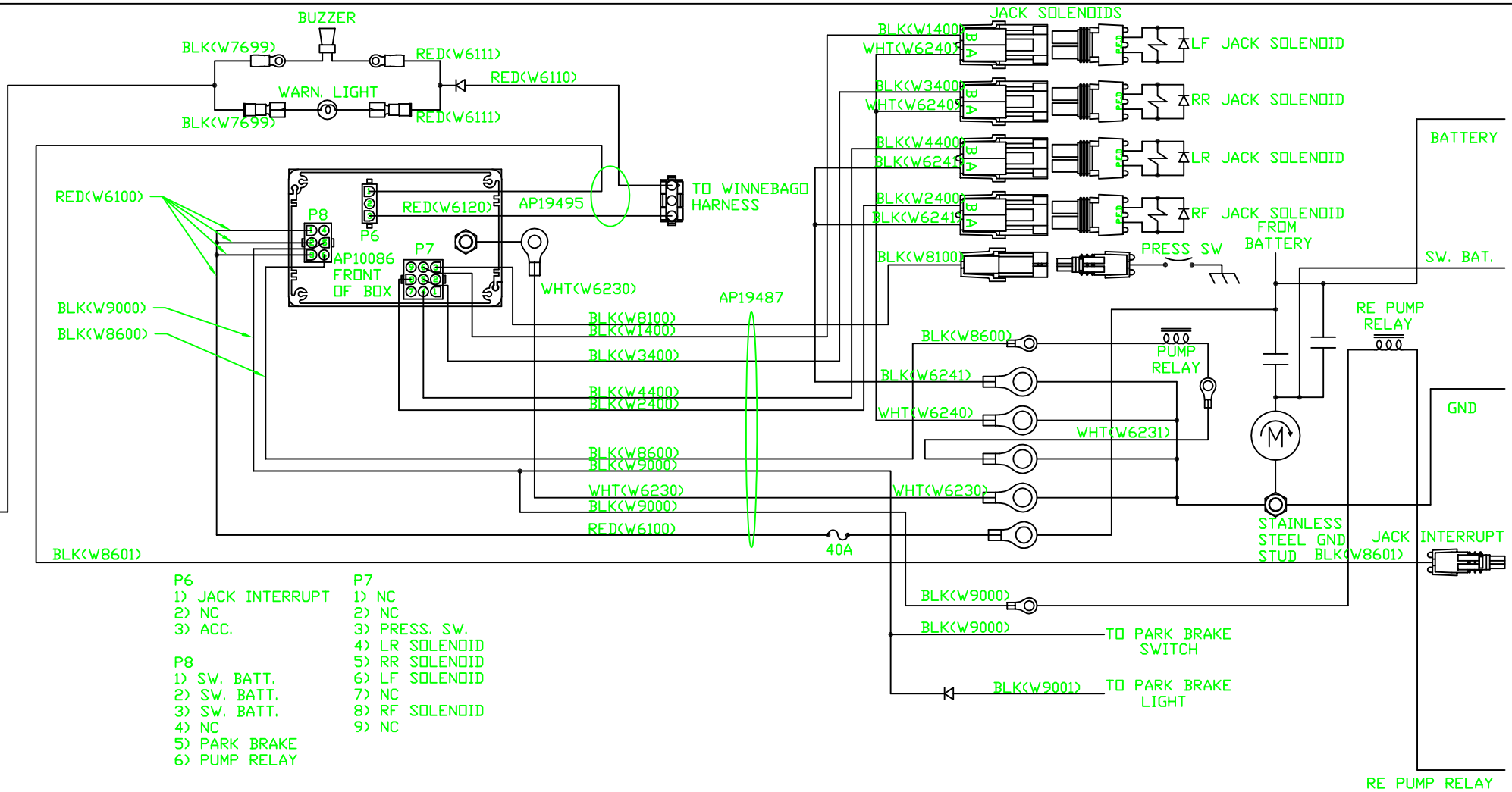
- P2
- 1) GND
  - 2) LF WARN
  - 3) RF WARN
  - 4) RR WARN
  - 5) LR WARN
  - 6) KEY PIN
  - 7) NC
  - 8) WARN LIGHT CNTRL.
  - 9) NC

- RED  
GREEN  
BLACK  
YELLOW  
WHITE



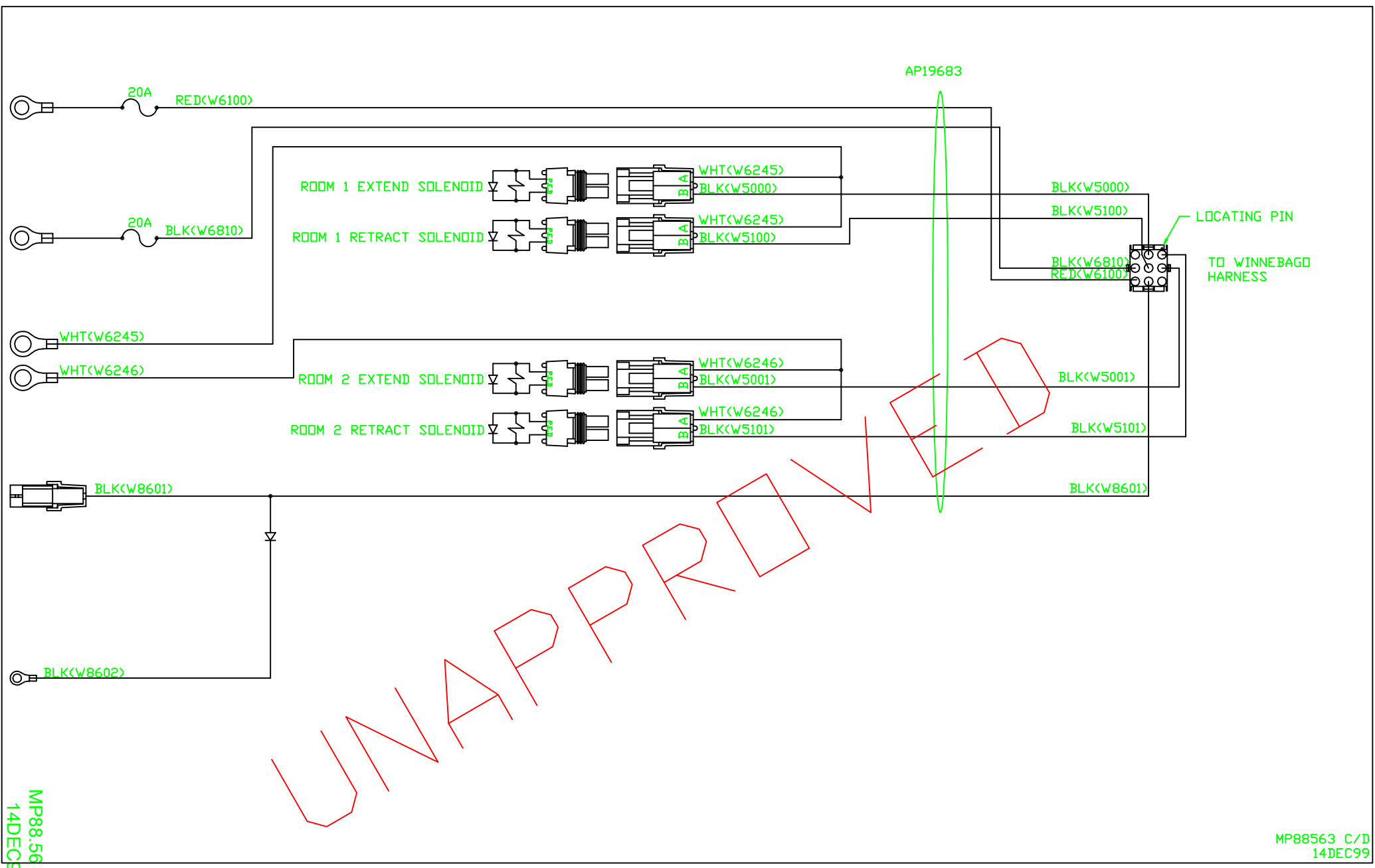
		HWH		I-80 EXIT 267 SOUTH RT 1 MOSCOW, IDWA 52760	
		SCALE 1:2	DATE 14DEC99	DRAWN BY .	
		SCHEMATIC SYSTEM			
NO.	DATE	REVISION			
		THE INFORMATION DISCLOSED ON THIS DRAWING IS CONFIDENTIAL AND MUST NOT BE DISCLOSED OR USED IN ANY MANNER WHICH WILL BE DETRIMENTAL TO THE HWH CORPORATION			DRAWING NUMBER MP88563 A/D
		ELECTRICAL			

MP88.56  
14DEC99



- |                   |                |
|-------------------|----------------|
| <b>P6</b>         | <b>P7</b>      |
| 1) JACK INTERRUPT | 1) NC          |
| 2) NC             | 2) NC          |
| 3) ACC.           | 3) PRESS. SW.  |
| <b>P8</b>         | 4) LR SOLENOID |
| 1) SW. BATT.      | 5) RR SOLENOID |
| 2) SW. BATT.      | 6) LF SOLENOID |
| 3) SW. BATT.      | 7) NC          |
| 4) NC             | 8) RF SOLENOID |
| 5) PARK BRAKE     | 9) NC          |
| 6) PUMP RELAY     |                |

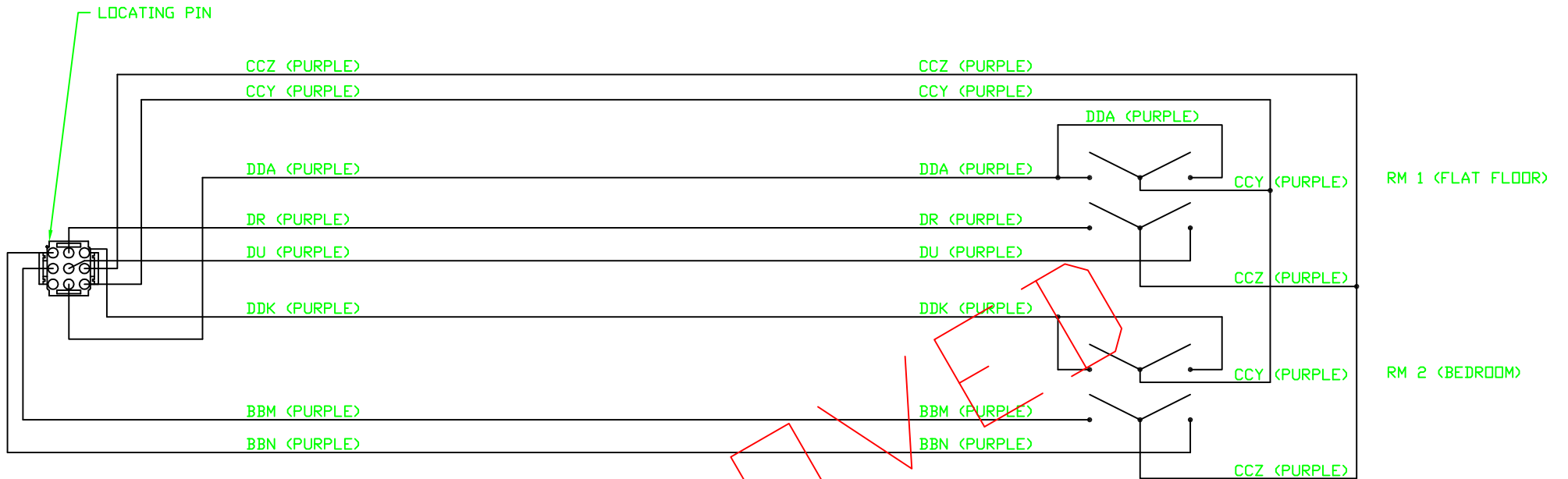
UNAPPROVED



MP88.56  
14DEC99

MP88563 C/D  
14DEC99

NOT SUPPLIED BY HWH



- PIN 1) BBN - ROOM 2 RETRACT
- PIN 2) BBM - ROOM 2 EXTEND
- PIN 3) NC
- PIN 4) DR - ROOM 1 EXTEND
- PIN 5) DU - ROOM 1 RETRACT
- PIN 6) DDA - ROOM 1 PUMP RELAY
- PIN 7) DDK - ROOM 2 PUMP RELAY CONTROL
- PIN 8) CCZ - SWITCHED BATTERY POWER
- PIN 9) CCY - BATTERY POWER

UNAPPROVED