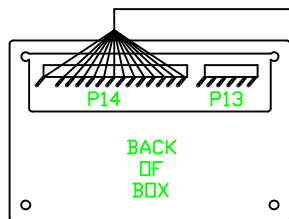
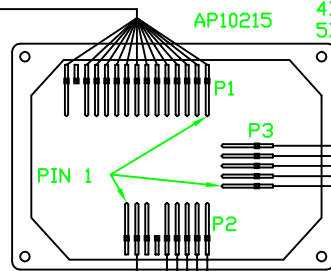


UNAPPROVED

- P14 - P1
- 1) BLUE (WARN SENSE)
 - 2) BROWN (SERIES)
 - 3) GRAY (SW. ACC.)
 - 4) PURPLE (FUSED ACC.)
 - 5) BLACK/WHITE (STORE RETURN)
 - 6) BLACK (PARK BRAKE)
 - 7) WHITE/BLACK (GND)
 - 8) WHITE (DUMP)
 - 9) ORANGE/BLACK (STORE)
 - 10) ORANGE (PUMP)
 - 11) GREEN (LF)
 - 12) GREEN/BLACK (LR)
 - 13) RED/BLACK (RR)
 - 14) NC (KEYING PIN)
 - 15) RED (RF)



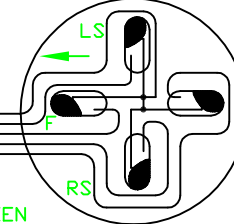
AP10076



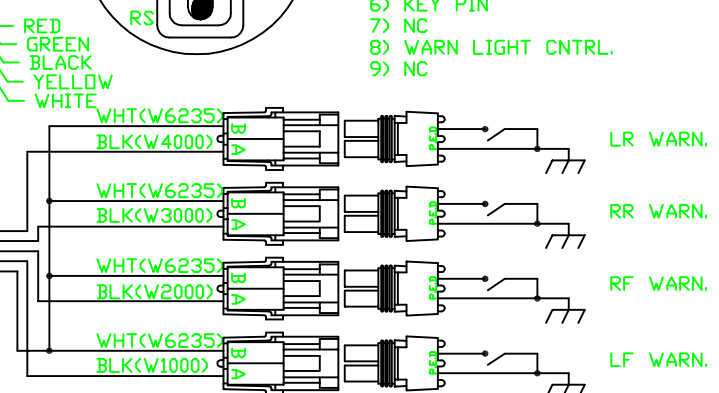
AP10215

- P3
- 1) RR SENSE. (RED)
 - 2) RS SENSE. (GREEN)
 - 3) FR SENSE. (BLACK)
 - 4) LS SENSE. (YELLOW)
 - 5) GND (WHITE)

AP6800



- P2
- 1) GND
 - 2) LF WARN
 - 3) RF WARN
 - 4) RR WARN
 - 5) LR WARN
 - 6) KEY PIN
 - 7) NC
 - 8) WARN LIGHT CNTRL.
 - 9) NC

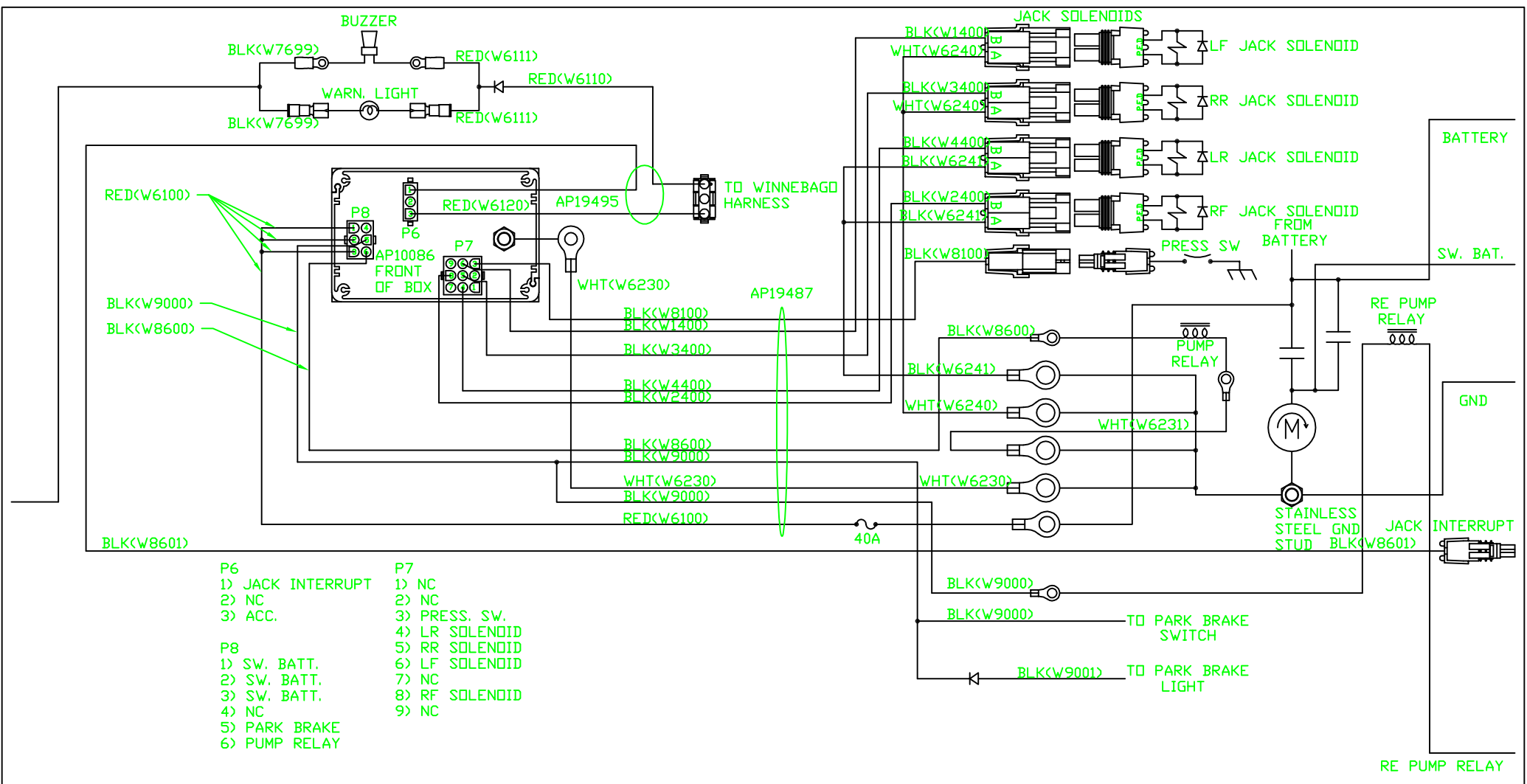


AP19757

AP20395

			HWH I-80 EXIT 267 SOUTH RT 1 MOSCOW, IOWA 52760		
			SCALE 1:2	DATE 16DEC99	DRAWN BY .
			SCHEMATIC SYSTEM		
NO.	DATE	REVISION	ELECTRICAL		
THE INFORMATION DISCLOSED ON THIS DRAWING IS CONFIDENTIAL AND MUST NOT BE DISCLOSED OR USED IN ANY MANNER WHICH WILL BE DETRIMENTAL TO THE HWH CORPORATION			DRAWING NUMBER MP88566 A/D		

MP88.56
16DEC99

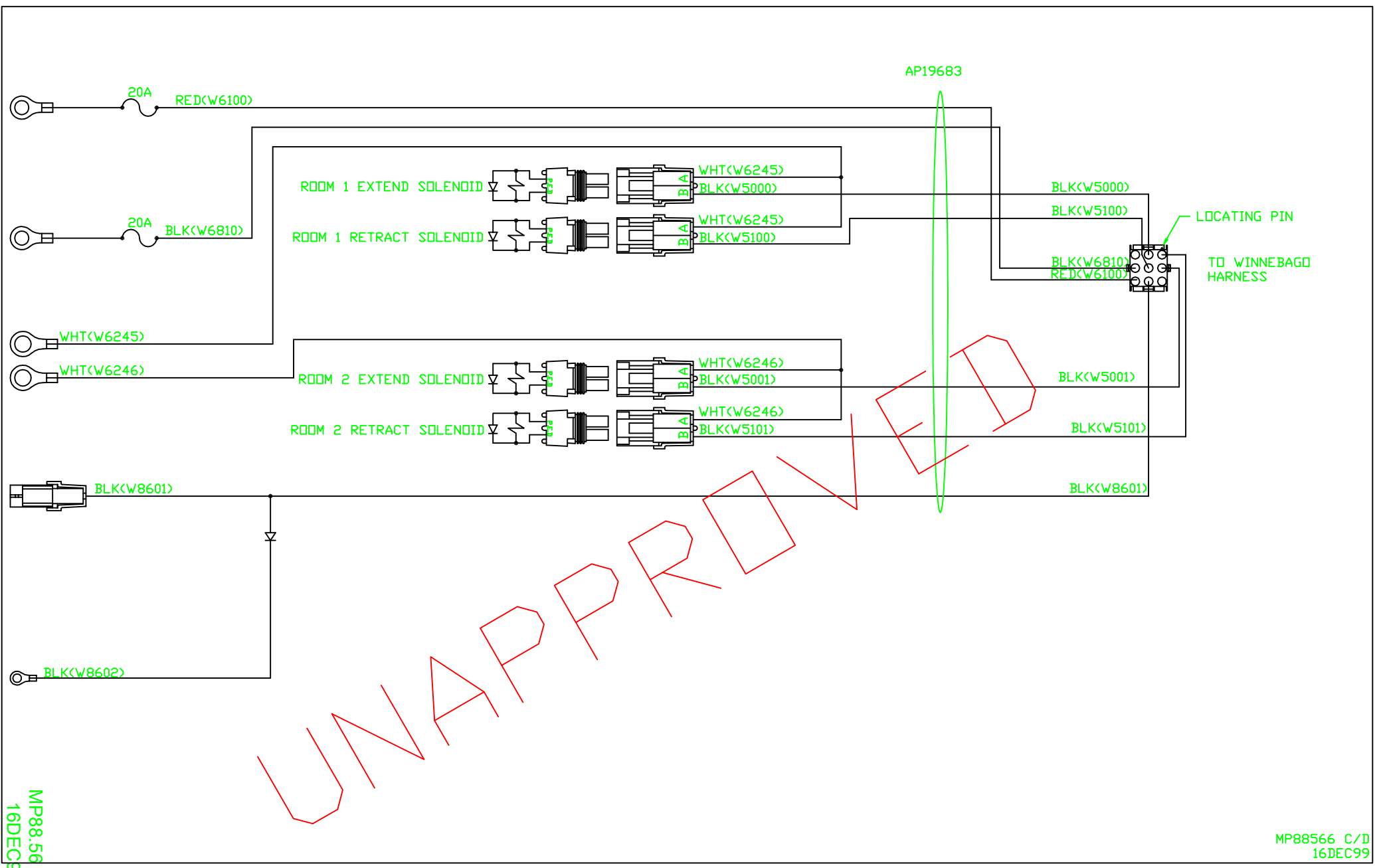


- | | |
|-------------------|----------------|
| P6 | P7 |
| 1) JACK INTERRUPT | 1) NC |
| 2) NC | 2) NC |
| 3) ACC. | 3) PRESS. SW. |
| P8 | 4) LR SOLENOID |
| 1) SW. BATT. | 5) RR SOLENOID |
| 2) SW. BATT. | 6) LF SOLENOID |
| 3) SW. BATT. | 7) NC |
| 4) NC | 8) RF SOLENOID |
| 5) PARK BRAKE | 9) NC |
| 6) PUMP RELAY | |

UNAPPROVED

MP88.56
16DEC99

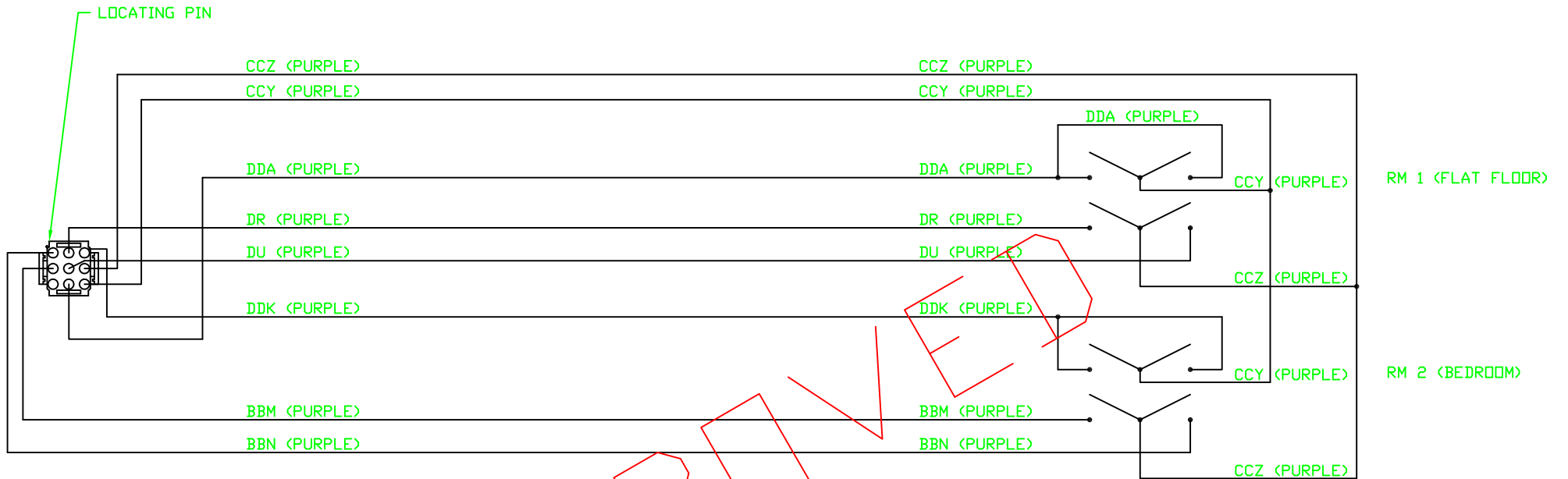
MP88566 B/D
16DEC99



MP88.56
 16DEC99

MP88566 C/D
 16DEC99

NOT SUPPLIED BY HWH



- PIN 1) BBN - ROOM 2 RETRACT
- PIN 2) BBM - ROOM 2 EXTEND
- PIN 3) NC
- PIN 4) DR - ROOM 1 EXTEND
- PIN 5) DU - ROOM 1 RETRACT
- PIN 6) DDA - ROOM 1 PUMP RELAY
- PIN 7) DDK - ROOM 2 PUMP RELAY CONTROL
- PIN 8) CCZ - SWITCHED BATTERY POWER
- PIN 9) CCY - BATTERY POWER

UNAPPROVED