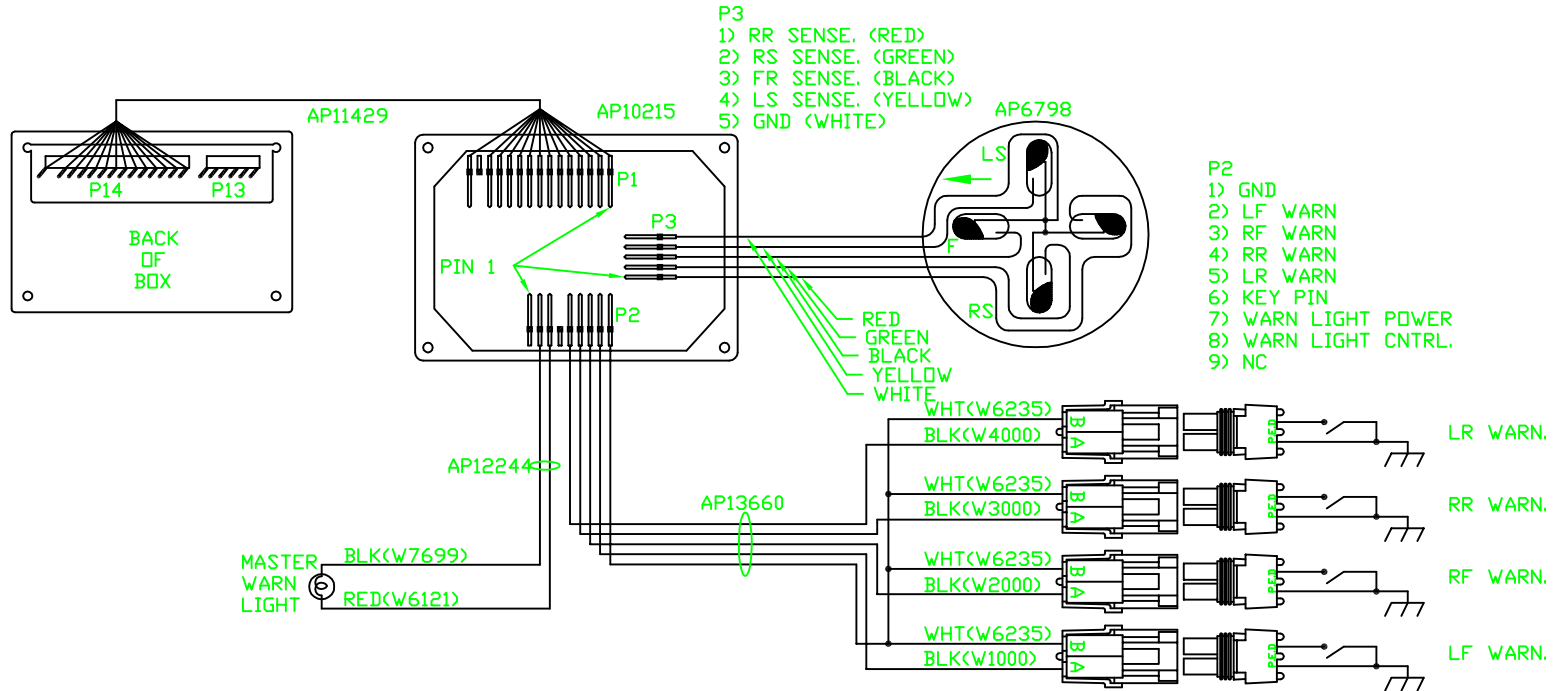


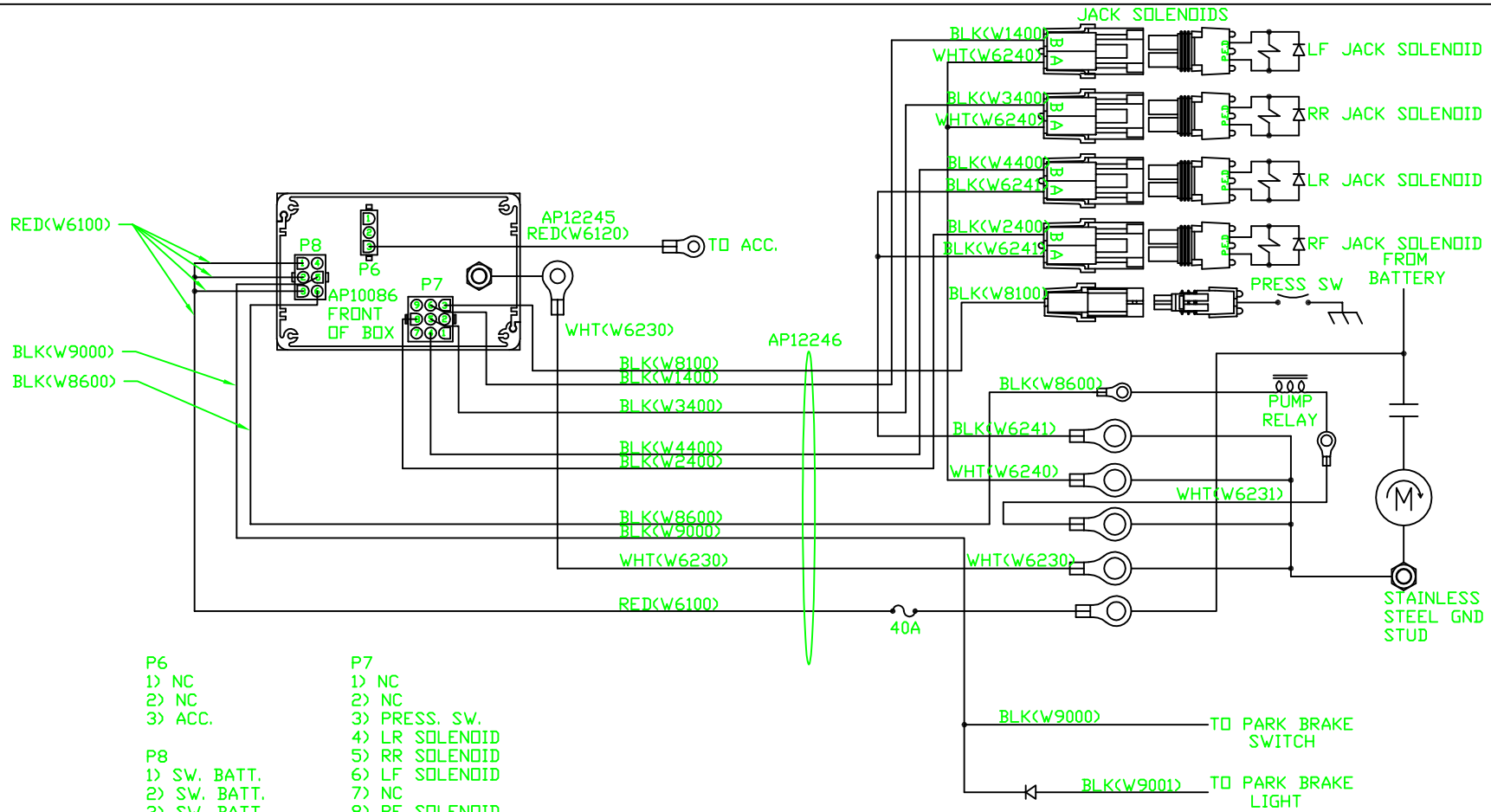
# UNAPPROVED

- P14 - P1
- 1) BLUE (WARN SENSE)
  - 2) BROWN (SERIES)
  - 3) GRAY (SW. ACC.)
  - 4) PURPLE (FUSED ACC.)
  - 5) BLACK/WHITE (STORE RETURN)
  - 6) BLACK (PARK BRAKE)
  - 7) WHITE/BLACK (GND)
  - 8) WHITE (DUMP)
  - 9) ORANGE/BLACK (STORE)
  - 10) ORANGE (PUMP)
  - 11) GREEN (LF)
  - 12) GREEN/BLACK (LR)
  - 13) RED/BLACK (RR)
  - 14) NC (KEYING PIN)
  - 15) RED (RF)



		HWH I-80 EXIT 267 SOUTH RT 1 MOSCOW, IOWA 52760	
		SCALE 1:2	DATE 23FEB00
		DRAWN BY .	
NO.	DATE	REVISION	
		SCHEMATIC SYSTEM	
		ELECTRICAL	
			DRAWING NUMBER MP88578 A/B

MP88.57  
23FEB00



P6  
 1) NC  
 2) NC  
 3) ACC.

P8  
 1) SW. BATT.  
 2) SW. BATT.  
 3) SW. BATT.  
 4) NC  
 5) PARK BRAKE  
 6) PUMP RELAY

P7  
 1) NC  
 2) NC  
 3) PRESS. SW.  
 4) LR SOLENOID  
 5) RR SOLENOID  
 6) LF SOLENOID  
 7) NC  
 8) RF SOLENOID  
 9) NC

UNAPPROVED