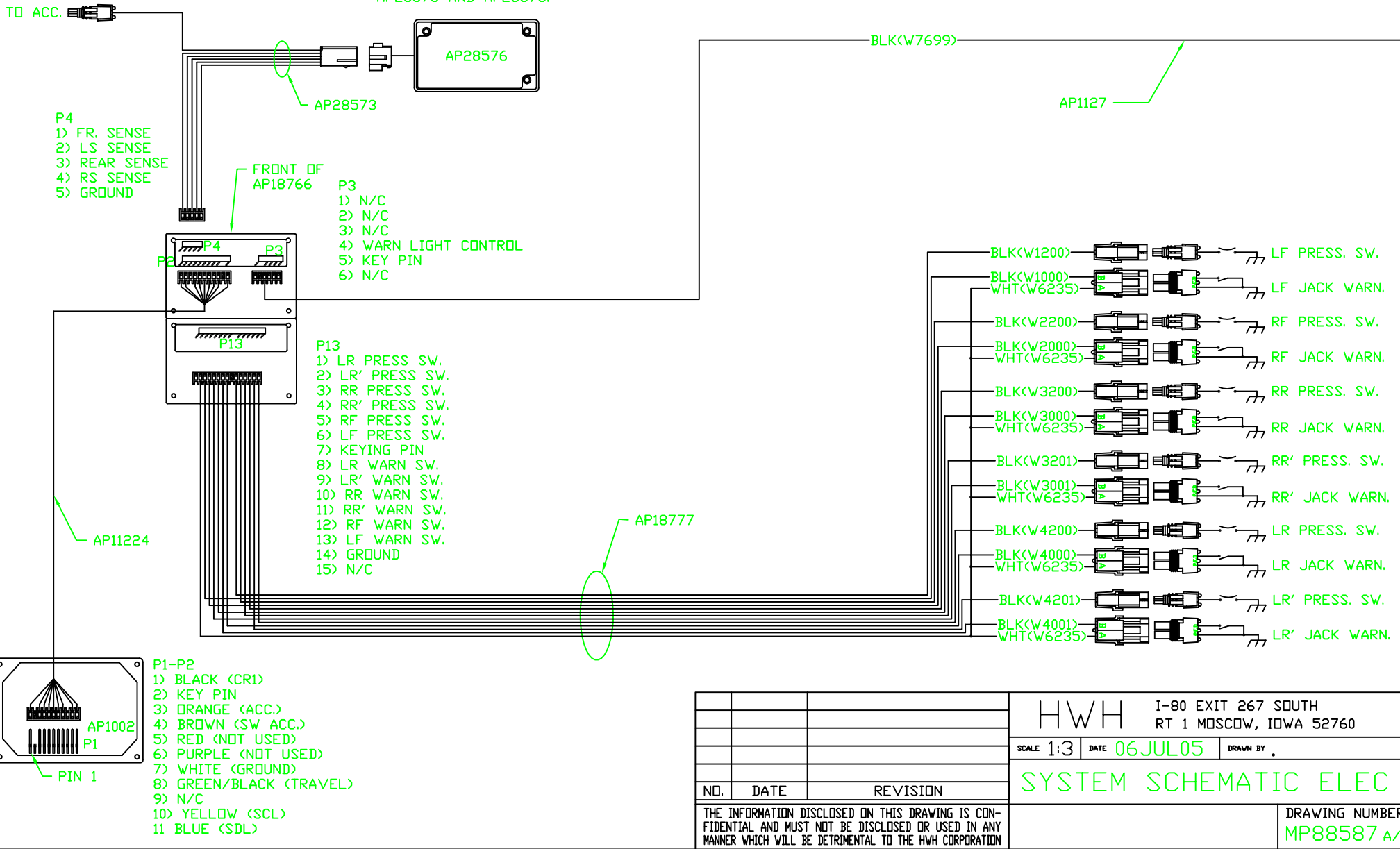
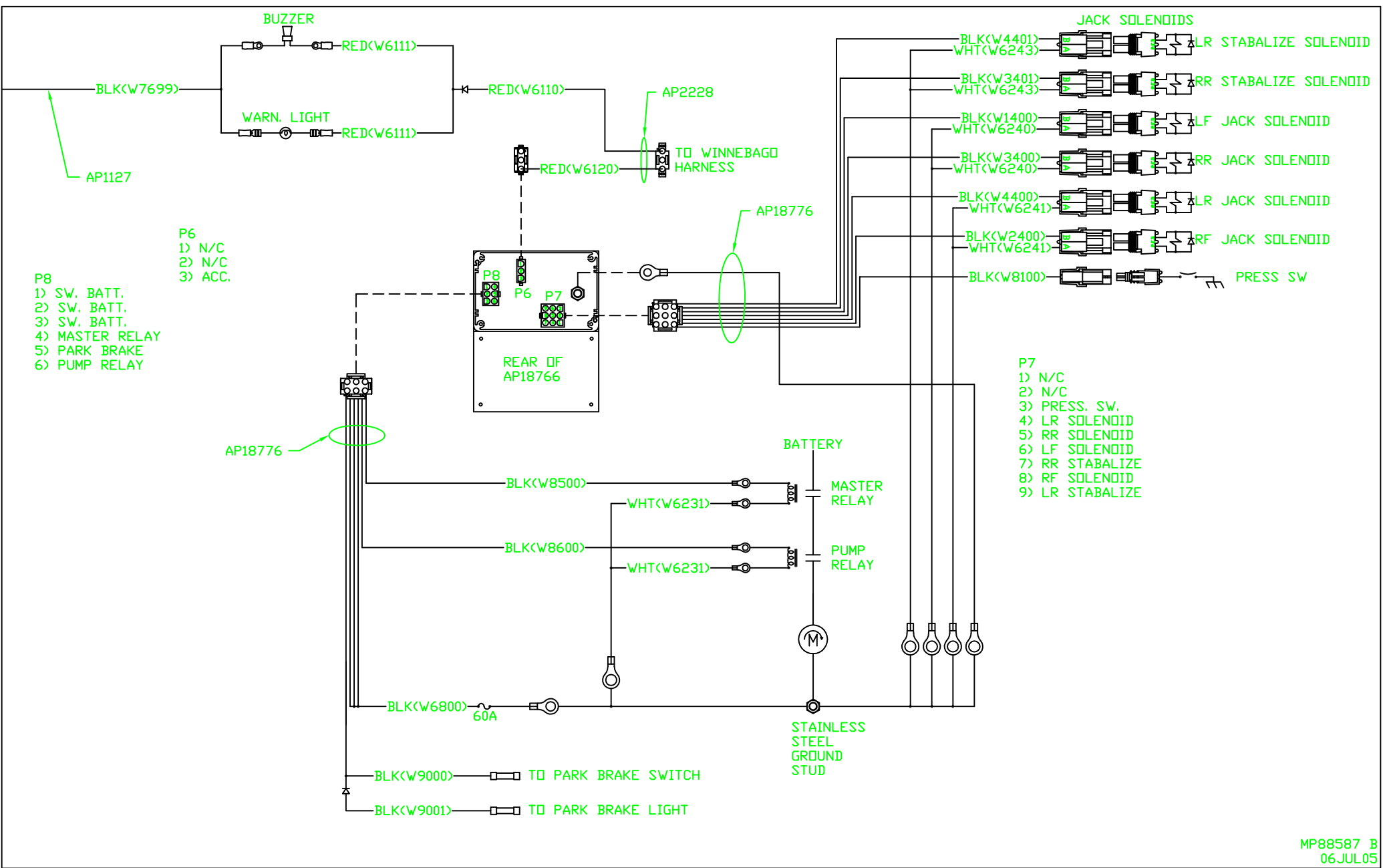


*** AP28578 INCLUDES:
AP28573 AND AP28576.



		HWH		I-80 EXIT 267 SOUTH RT 1 MOSCOW, IOWA 52760	
		SCALE 1:3	DATE 06JUL05	DRAWN BY .	
SYSTEM SCHEMATIC ELEC					
NO.	DATE	REVISION			
THE INFORMATION DISCLOSED ON THIS DRAWING IS CONFIDENTIAL AND MUST NOT BE DISCLOSED OR USED IN ANY MANNER WHICH WILL BE DETRIMENTAL TO THE HWH CORPORATION					
					DRAWING NUMBER MP88587 A/B



- P8
 1) SW. BATT.
 2) SW. BATT.
 3) SW. BATT.
 4) MASTER RELAY
 5) PARK BRAKE
 6) PUMP RELAY

- P6
 1) N/C
 2) N/C
 3) ACC.

- P7
 1) N/C
 2) N/C
 3) PRESS. SW.
 4) LR SOLENOID
 5) RR SOLENOID
 6) LF SOLENOID
 7) RR STABILIZE
 8) RF SOLENOID
 9) LR STABILIZE