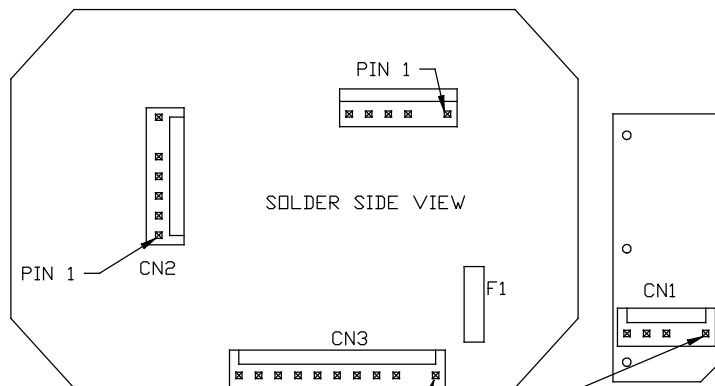
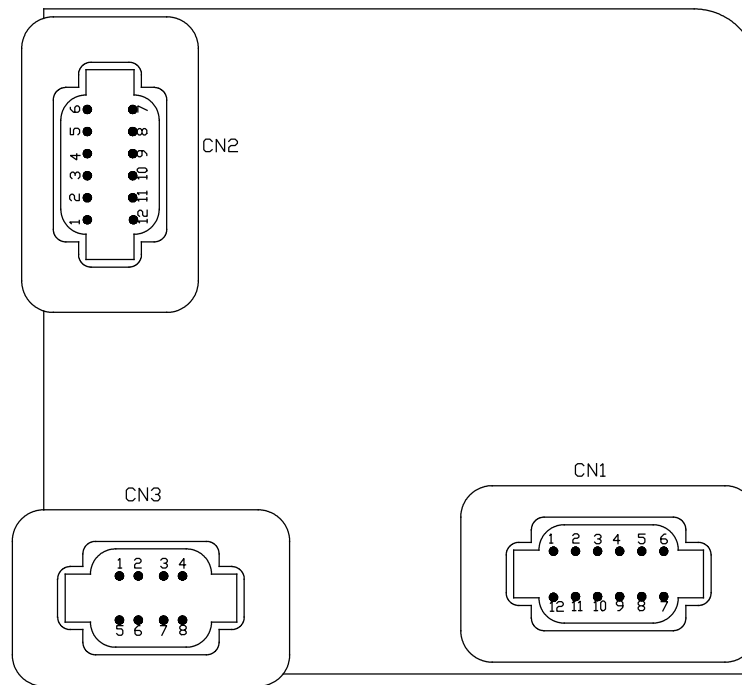
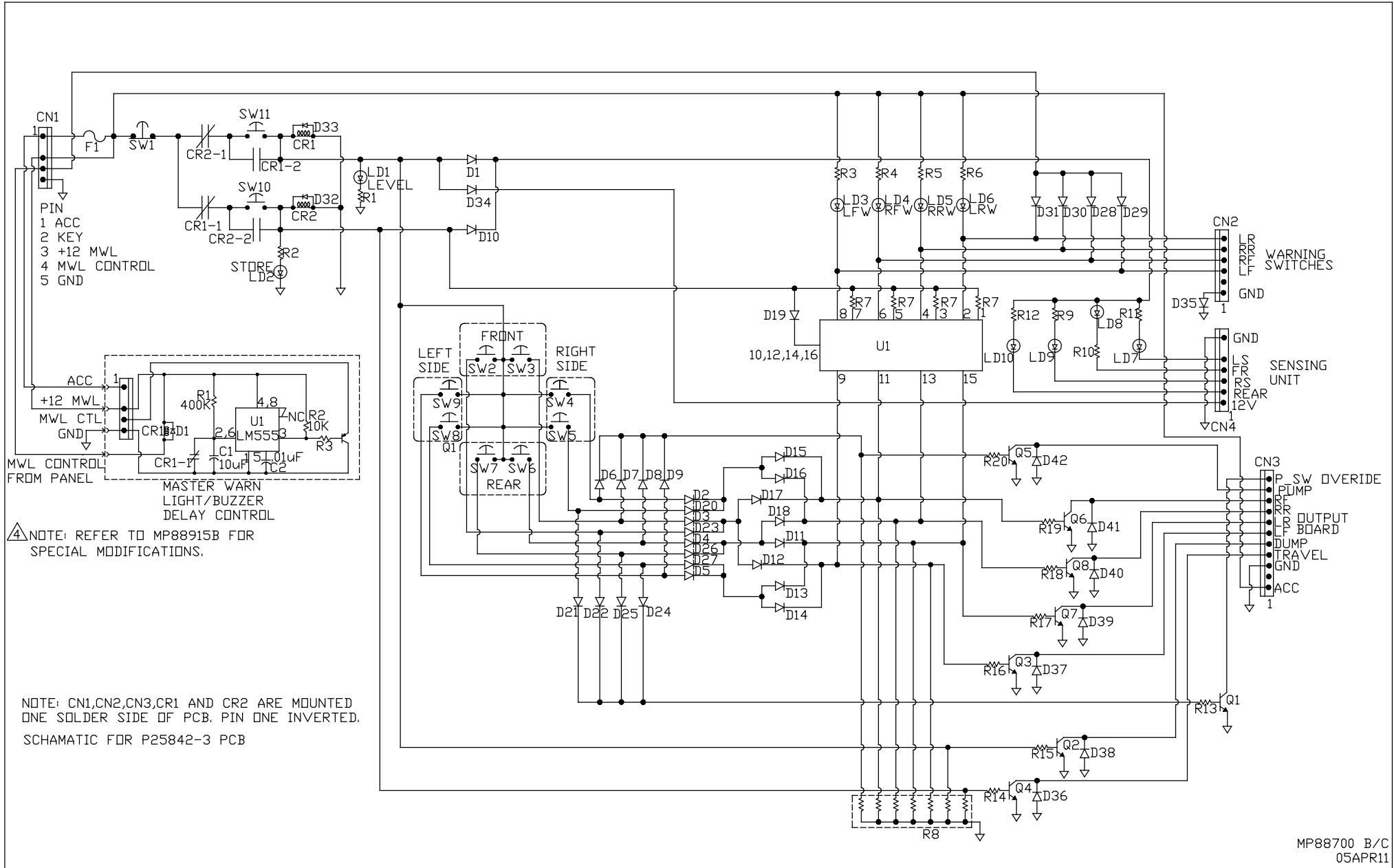


PIN 1



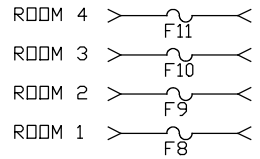
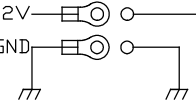
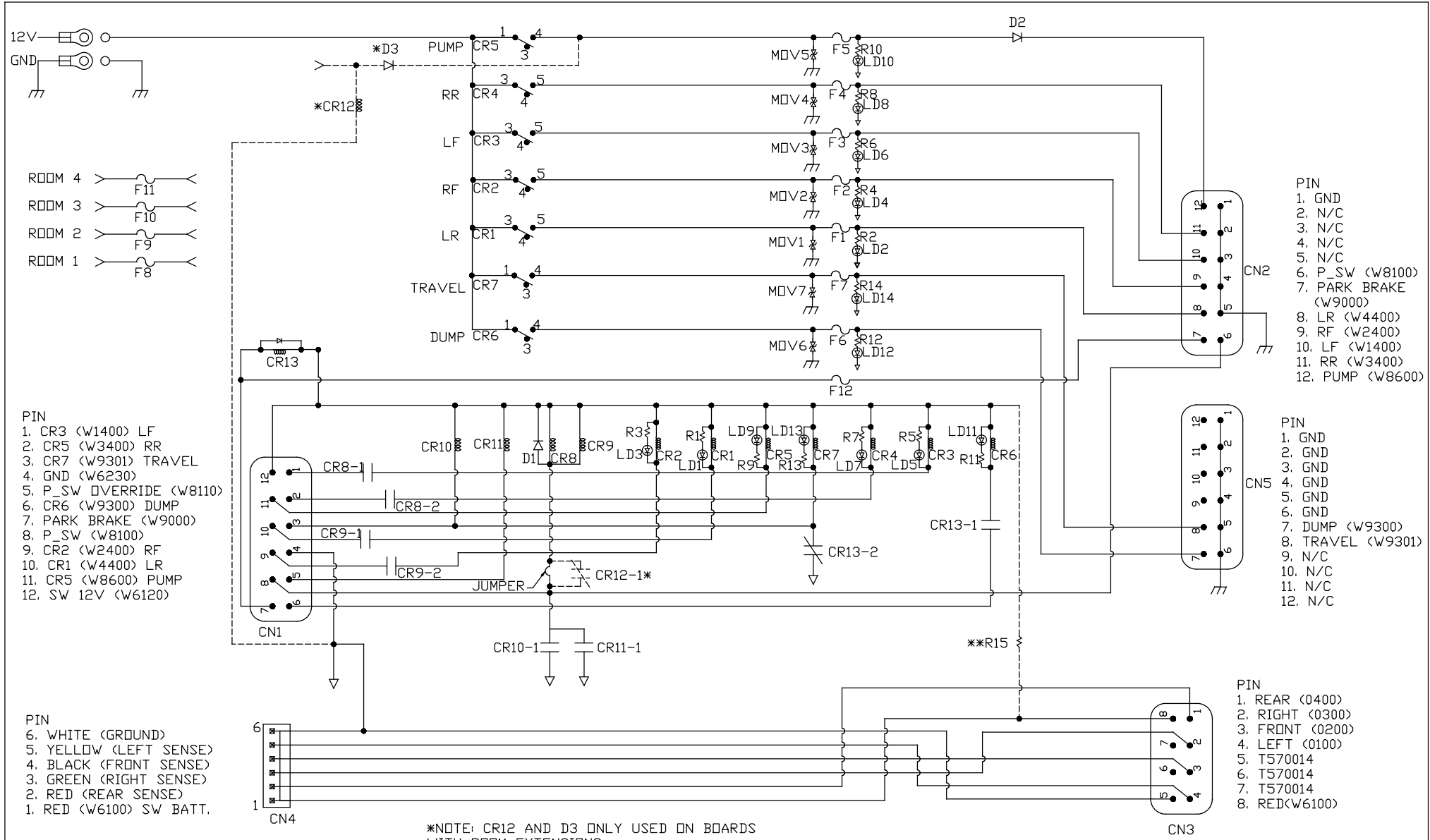
SOLDER SIDE VIEW

		HWH I-80 EXIT 267 SOUTH RT 1 MOSCOW, IOWA 52760	
4	24JUL18	ADDED MOD NOTE	SCALE 1:1
3	05APR11	ADDED POLY SWITCH CKT	DATE 20AUG01
2	12AUG02	ADDED RELAY BRD	DRAWN BY
1	06JUNE02	ADDED TRANSISTORS	SCHEMATIC MANUAL PANEL
NO.	DATE	REVISION	
THE INFORMATION DISCLOSED ON THIS DRAWING IS CONFIDENTIAL AND MUST NOT BE DISCLOSED OR USED IN ANY MANNER WHICH WILL BE DETRIMENTAL TO THE HWH CORPORATION			DRAWING NUMBER MP88700A/C



NOTE: REFER TO MP88915B FOR SPECIAL MODIFICATIONS.

NOTE: CN1,CN2,CN3,CR1 AND CR2 ARE MOUNTED ONE SOLDER SIDE OF PCB. PIN ONE INVERTED. SCHAMATIC FOR P25842-3 PCB



- PIN
- 1. CR3 (W1400) LF
 - 2. CR5 (W3400) RR
 - 3. CR7 (W9301) TRAVEL
 - 4. GND (W6230)
 - 5. P_SW OVERRIDE (W8110)
 - 6. CR6 (W9300) DUMP
 - 7. PARK BRAKE (W9000)
 - 8. P_SW (W8100)
 - 9. CR2 (W2400) RF
 - 10. CR1 (W4400) LR
 - 11. CR5 (W8600) PUMP
 - 12. SW 12V (W6120)

- PIN
- 6. WHITE (GROUND)
 - 5. YELLOW (LEFT SENSE)
 - 4. BLACK (FRONT SENSE)
 - 3. GREEN (RIGHT SENSE)
 - 2. RED (REAR SENSE)
 - 1. RED (W6100) SW BATT.

- PIN
- 1. GND
 - 2. N/C
 - 3. N/C
 - 4. N/C
 - 5. N/C
 - 6. P_SW (W8100)
 - 7. PARK BRAKE (W9000)
 - 8. LR (W4400)
 - 9. RF (W2400)
 - 10. LF (W1400)
 - 11. RR (W3400)
 - 12. PUMP (W8600)

- PIN
- 1. GND
 - 2. GND
 - 3. GND
 - 4. GND
 - 5. GND
 - 6. GND
 - 7. DUMP (W9300)
 - 8. TRAVEL (W9301)
 - 9. N/C
 - 10. N/C
 - 11. N/C
 - 12. N/C

- PIN
- 1. REAR (0400)
 - 2. RIGHT (0300)
 - 3. FRONT (0200)
 - 4. LEFT (0100)
 - 5. TS70014
 - 6. TS70014
 - 7. TS70014
 - 8. RED (W6100)

*NOTE: CR12 AND D3 ONLY USED ON BOARDS WITH ROOM EXTENSIONS.
 **NOTE: R15 NOT STUFFED.