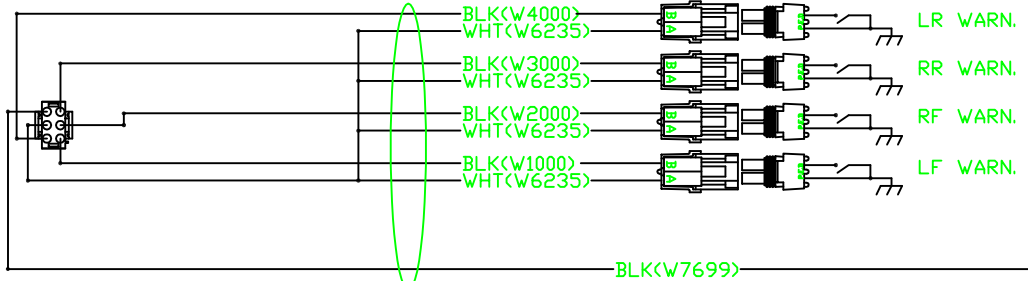
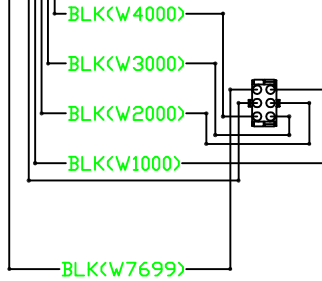


- P3
- 1) RR SENSE. (RED)
 - 2) RS SENSE. (GREEN)
 - 3) FR SENSE. (BLACK)
 - 4) LS SENSE. (YELLOW)
 - 5) GND (WHITE)

- PIN
1. RED
 2. WHITE
 3. N/C
 4. YELLOW
 5. BLACK
 6. GREEN

- P14 - P1
- 1) BLUE (WARN SENSE)
 - 2) BROWN (SERIES)
 - 3) GRAY (SW. ACC.)
 - 4) PURPLE (FUSED ACC.)
 - 5) BLACK/WHITE (STORE RETURN)
 - 6) BLACK (PARK BRAKE)
 - 7) WHITE/BLACK (GND)
 - 8) WHITE (DUMP)
 - 9) ORANGE/BLACK (STORE)
 - 10) ORANGE (PUMP)
 - 11) GREEN (LF)
 - 12) GREEN/BLACK (LR)
 - 13) RED/BLACK (RR)
 - 14) NC (KEYING PIN)
 - 15) RED (RF)

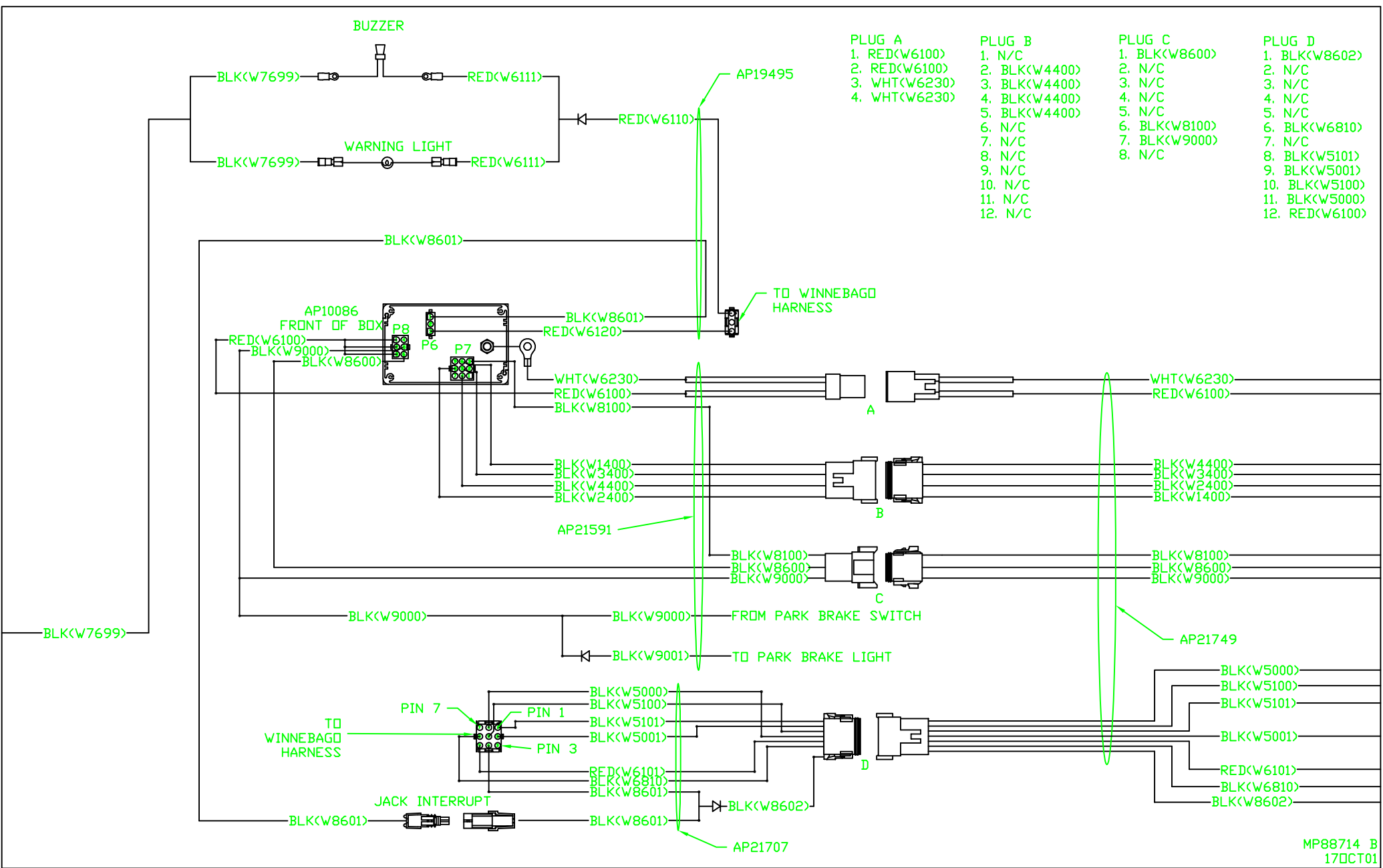
- P2
- 1) BLK(W4000) LEFT REAR WARNING
 - 2) BLK(W3000) RIGHT REAR WARNING
 - 3) BLK(W2000) RIGHT FRONT WARNING
 - 4) BLK(W1000) LEFT FRONT WARNING
 - 5) WHT(W6235) GROUND
 - 6) KEY PIN
 - 7) NC
 - 8) BLK(W7699) WARNING LIGHT CONTROL
 - 9) NC



- AP26324/AP26323
- 1) BLK(W1000) LEFT FRONT WARNING
 - 2) BLK(W2000) RIGHT FRONT WARNING
 - 3) BLK(W3000) RIGHT REAR WARNING
 - 4) BLK(W4000) LEFT REAR WARNING
 - 5) WHT(W6235) GROUND
 - 6) BLK(W7699) WARNING LIGHT CONTROL

AP26323

		HWH		I-80 EXIT 267 SOUTH RT 1 MOSCOW, IOWA 52760	
		SCALE 1:3	DATE 16OCT01	DRAWN BY .	
		SYSTEM SCHEMATIC ELEC			
NO.	DATE	REVISION			
THE INFORMATION DISCLOSED ON THIS DRAWING IS CONFIDENTIAL AND MUST NOT BE DISCLOSED OR USED IN ANY MANNER WHICH WILL BE DETRIMENTAL TO THE HWH CORPORATION				DRAWING NUMBER MP88714 A/D	

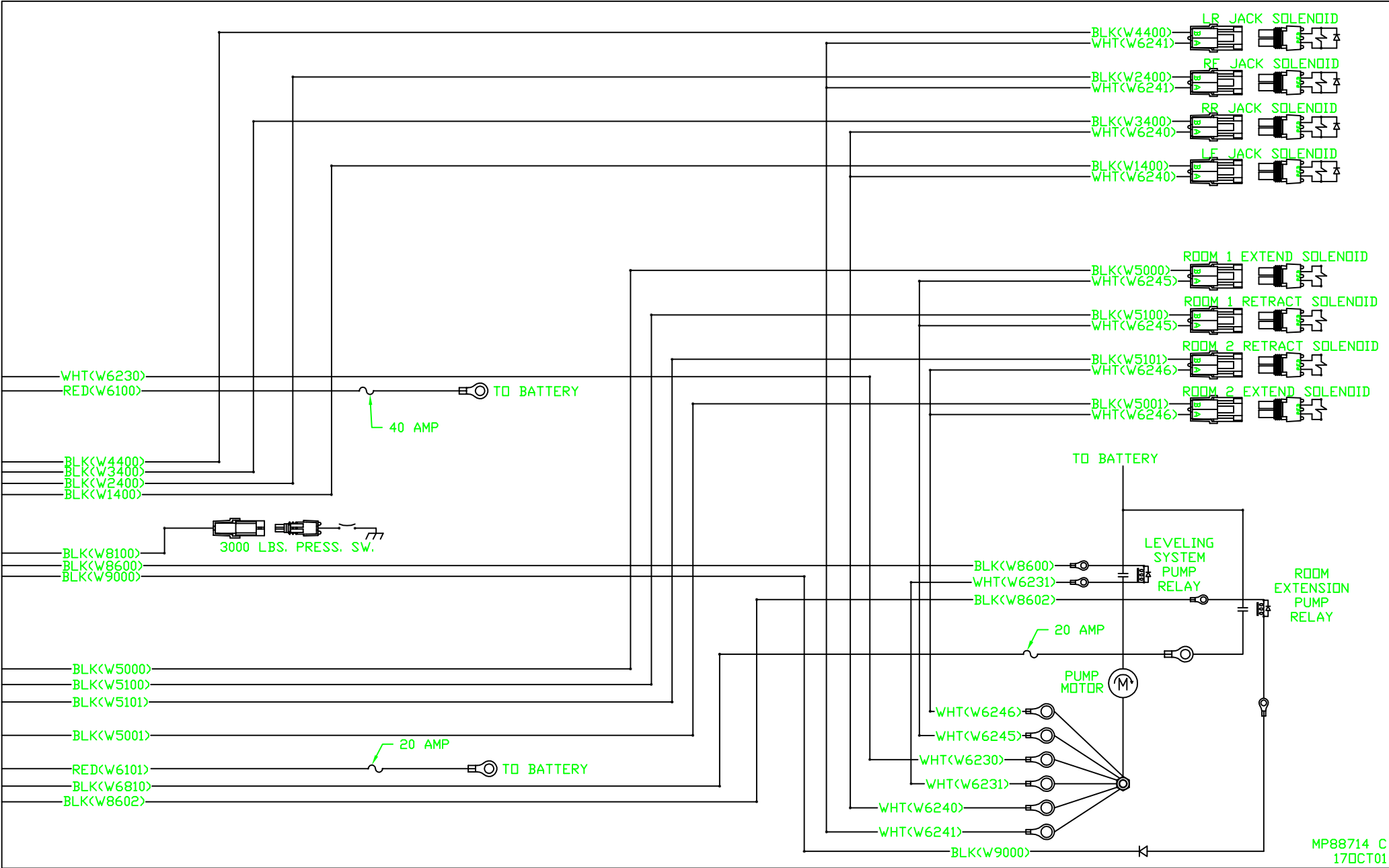


- PLUG A
1. RED(W6100)
 2. RED(W6100)
 3. WHT(W6230)
 4. WHT(W6230)

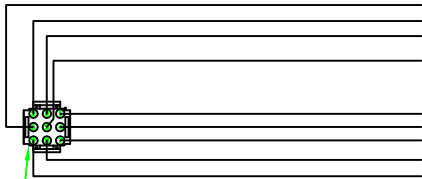
- PLUG B
1. N/C
 2. BLK(W4400)
 3. BLK(W4400)
 4. BLK(W4400)
 5. BLK(W4400)
 6. N/C
 7. N/C
 8. N/C
 9. N/C
 10. N/C
 11. N/C
 12. N/C

- PLUG C
1. BLK(W8600)
 2. N/C
 3. N/C
 4. N/C
 5. N/C
 6. BLK(W8100)
 7. BLK(W9000)
 8. N/C

- PLUG D
1. BLK(W8602)
 2. N/C
 3. N/C
 4. N/C
 5. N/C
 6. BLK(W6810)
 7. N/C
 8. BLK(W5101)
 9. BLK(W5001)
 10. BLK(W5100)
 11. BLK(W5000)
 12. RED(W6100)



ROOM EXTENSION HARNESS
PROVIDED BY WINNEBAGO



TO HWH HARNESS #
AP21707

PIN

1. YELLOW<BBN> ROOM 2 RETRACT
2. YELLOW<BBM> ROOM 2 EXTEND
3. N/C
4. YELLOW<DT> ROOM PUMP RELAY CONTROL
5. YELLOW<DU> ROOM 1 RETRACT
6. YELLOW<DR> ROOM 1 EXTEND
7. N/C
8. YELLOW<DY> SW SUPPLY FOR ROOM PUMP RELAY
9. YELLOW<BBB> BATTERY