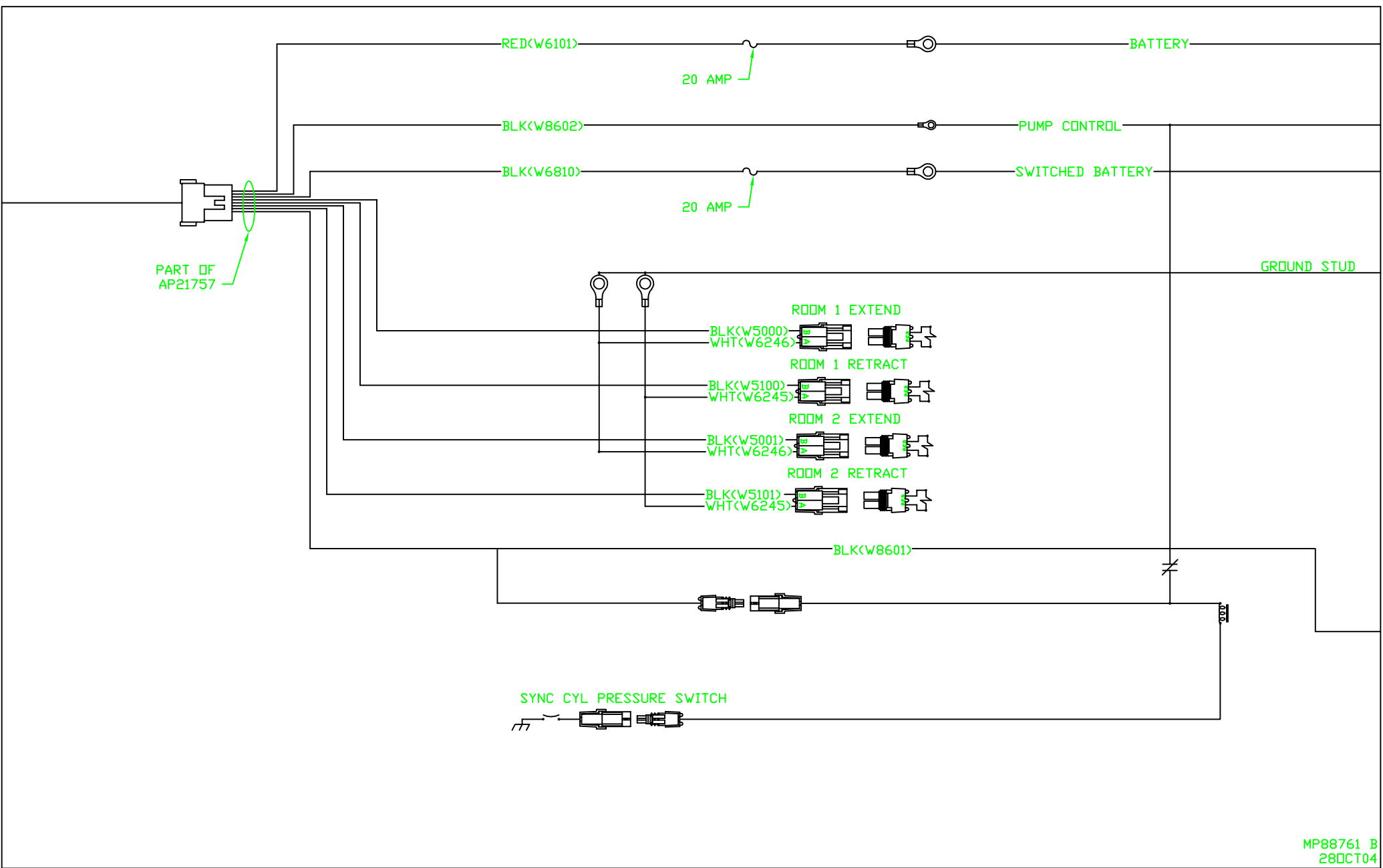
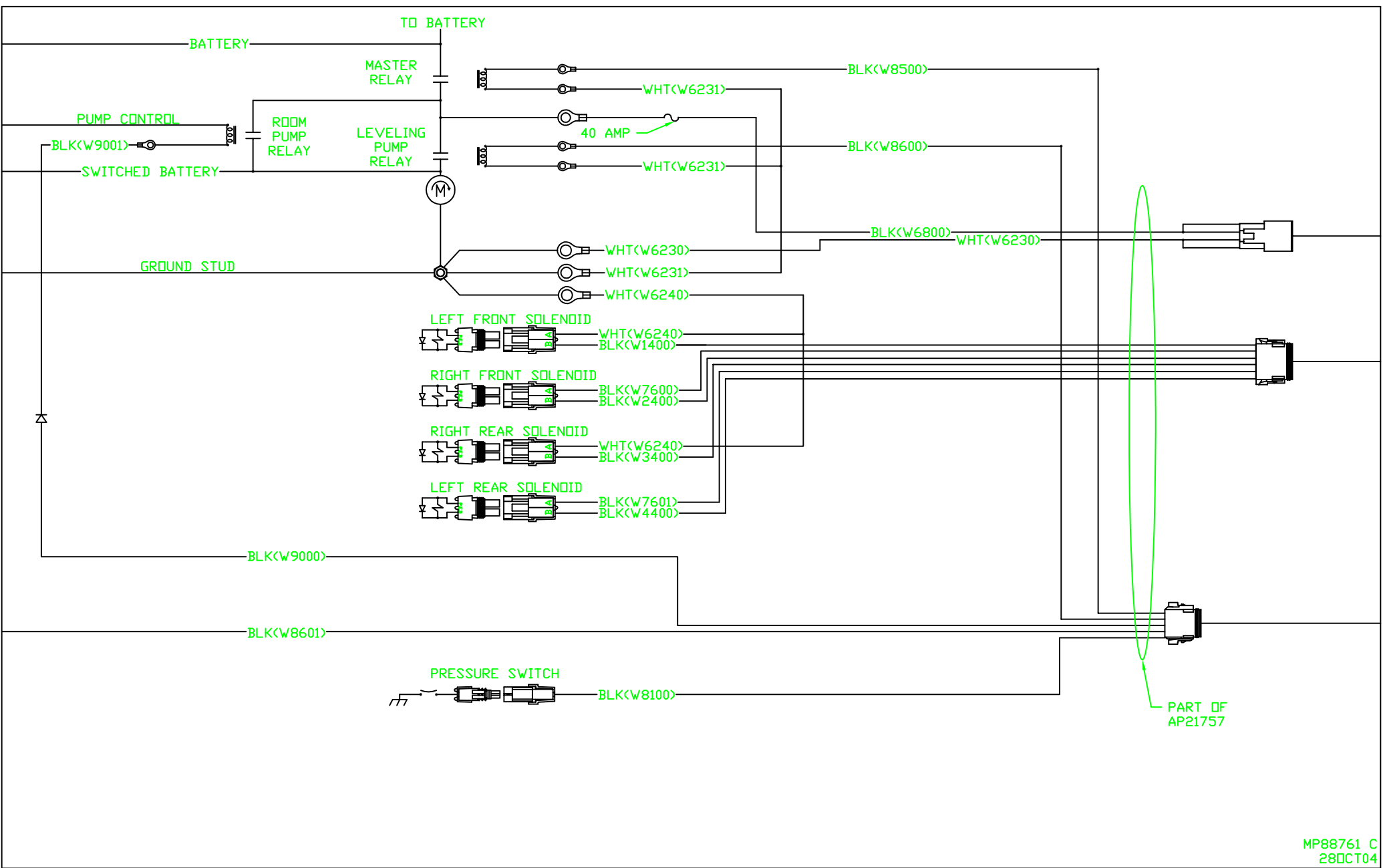


		HWH		I-80 EXIT 267 SOUTH RT 1 MOSCOW, IOWA 52760	
		SCALE 1:3	DATE 28OCT04	DRAWN BY .	
		SYSTEM SCHEMATIC ELEC			
NO.	DATE	REVISION			
THE INFORMATION DISCLOSED ON THIS DRAWING IS CONFIDENTIAL AND MUST NOT BE DISCLOSED OR USED IN ANY MANNER WHICH WILL BE DETRIMENTAL TO THE HWH CORPORATION				DRAWING NUMBER MP88761 A/E	





- PIN
1. BLK(W6800)
 2. BLK(W6800)
 3. WHT(W6230)
 4. WHT(W6230)

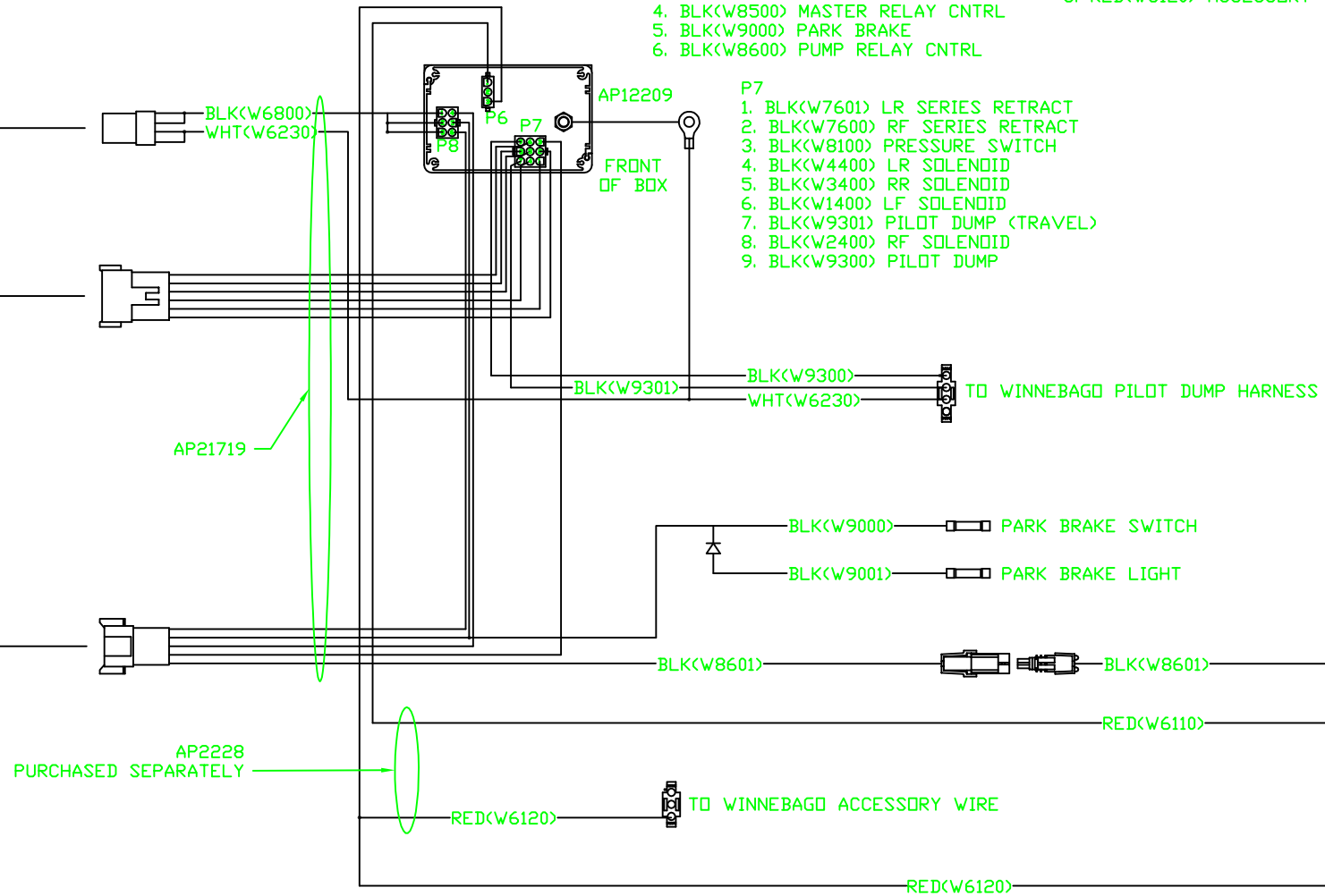
- PIN
1. N/C
 2. BLK(W4400)
 3. BLK(W2400)
 4. BLK(W1400)
 5. BLK(W3400)
 6. N/C
 7. N/C
 8. BLK(W7601)
 9. BLK(W7600)
 10. N/C
 11. N/C
 12. N/C

- PIN
1. BLK(W8600)
 2. BLK(W8500)
 3. BLK(W8601)
 4. N/C
 5. N/C
 6. BLK(W8100)
 7. BLK(W9000)
 8. N/C

- P8
1. BLK(W6800) SW. BATT
 2. BLK(W6800) SW. BATT
 3. BLK(W6800) SW. BATT
 4. BLK(W8500) MASTER RELAY CNTRL
 5. BLK(W9000) PARK BRAKE
 6. BLK(W8600) PUMP RELAY CNTRL

- P6
1. RED(W6110) IGNITION
 2. N/C
 3. RED(W6120) ACCESSORY

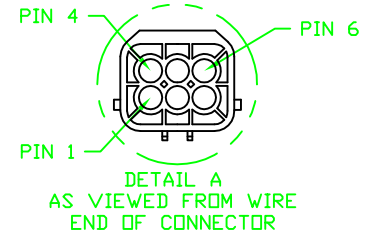
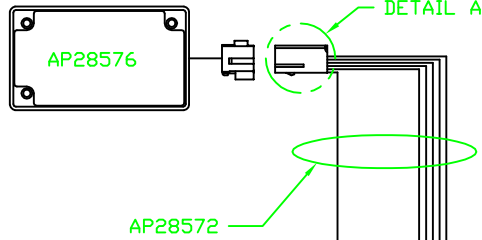
- P7
1. BLK(W7601) LR SERIES RETRACT
 2. BLK(W7600) RF SERIES RETRACT
 3. BLK(W8100) PRESSURE SWITCH
 4. BLK(W4400) LR SOLENOID
 5. BLK(W3400) RR SOLENOID
 6. BLK(W1400) LF SOLENOID
 7. BLK(W9301) PILOT DUMP (TRAVEL)
 8. BLK(W2400) RF SOLENOID
 9. BLK(W9300) PILOT DUMP



- P1 & P2
1. BLACK
 2. KEY PIN
 3. ORANGE
 4. BROWN
 5. RED
 6. PURPLE
 7. WHITE
 8. GREEN/BLACK
 9. NC
 10. YELLOW
 11. BLUE

- P5
1. WHT(W6235) GROUND
 2. BLK(W1000) LF WARN SW
 3. BLK(W2000) RF WARN SW
 4. BLK(W3000) RR WARN SW
 5. BLK(W4000) LR WARN SW
 6. KEY PIN
 7. BLK(W1200) LF PRESS SW
 8. BLK(W2200) RF PRESS SW
 9. BLK(W3200) RR PRESS SW
 10. BLK(W4200) LR PRESS SW

NOTE: AP28576 AND AP28572 IS PART OF AP28577



1. REAR SENSE (ORANGE)
2. GROUND (WHITE)
3. + 12 V (RED)
4. LEFT SIDE SENSE (YELLOW)
5. FRONT SENSE (BLACK)
6. RIGHT SIDE SENSE (GREEN)

- P3
1. N/C
 2. BLK(W8601) JACK INTERRUPT
 3. N/C
 4. BLK(W7699) WARN LIGHT/BUZZ
 5. KEY PIN
 6. N/C

- P4
1. REAR SENSE (ORANGE)
 2. RIGHT SIDE SENSE (GREEN)
 3. FRONT SENSE (BLACK)
 4. LEFT SIDE SENSE (YELLOW)
 5. GROUND (WHITE)

