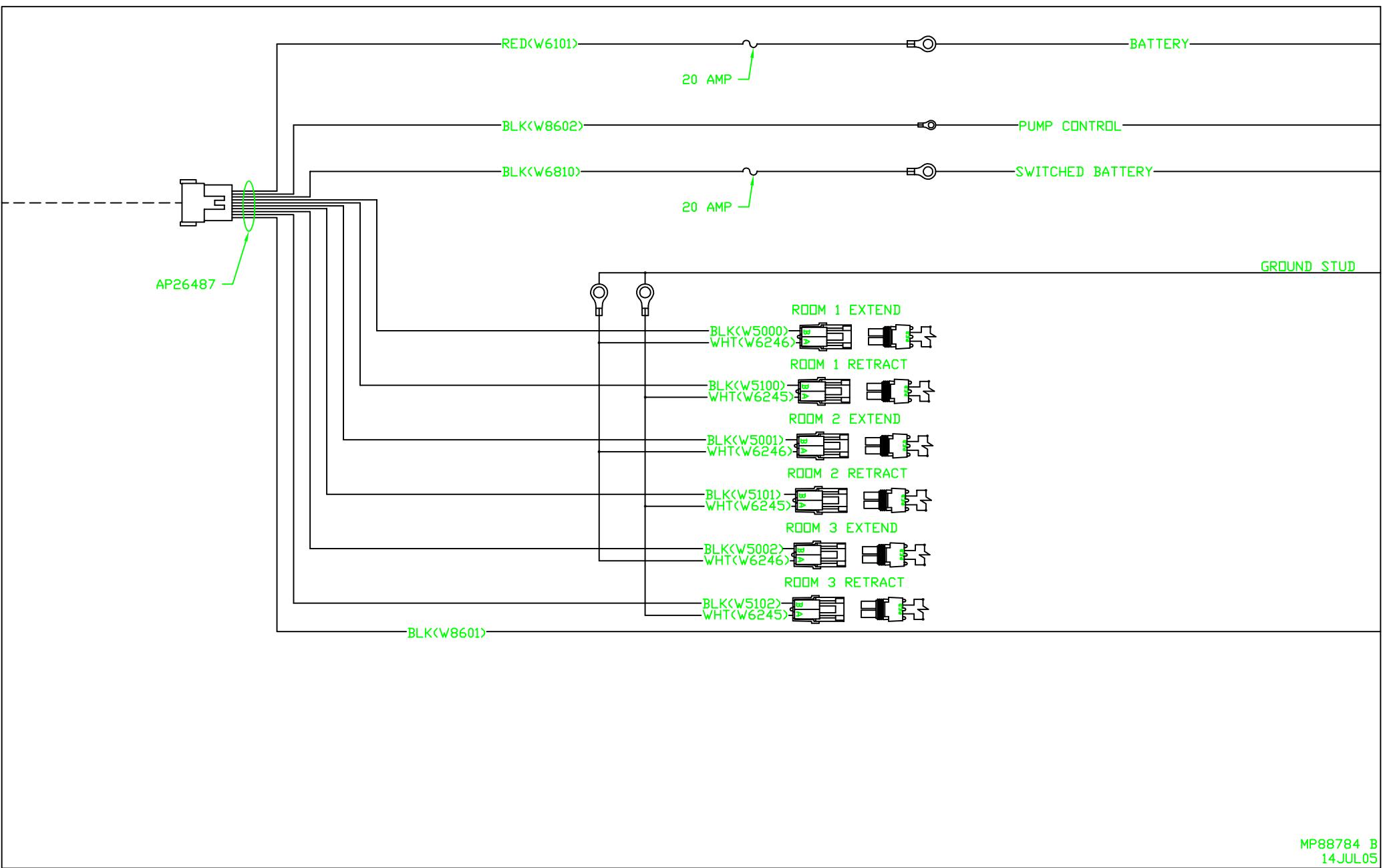
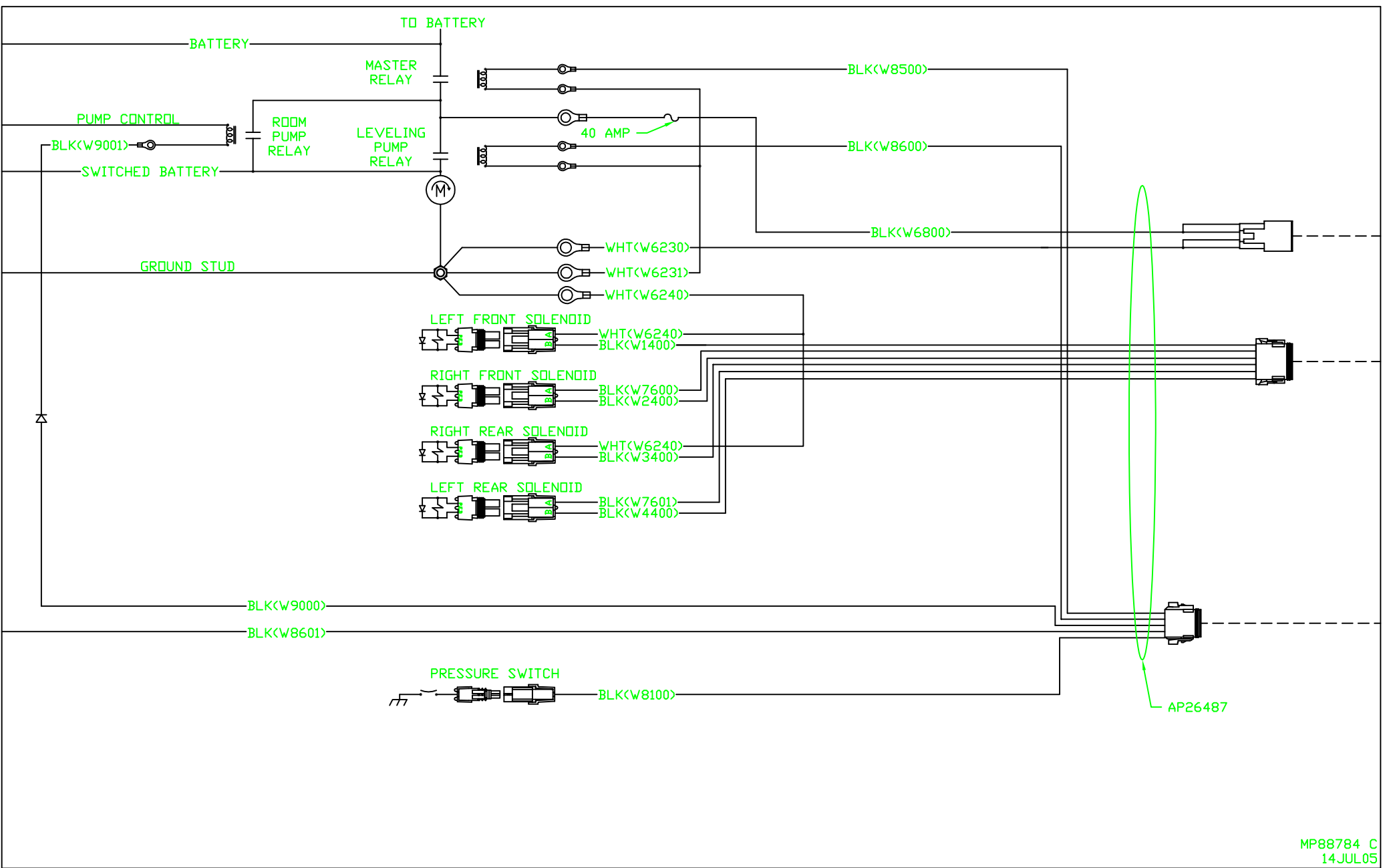


- PIN
1. BLK(W5101) ROOM 2 RETRACT
 2. BLK(W5001) ROOM 2 EXTEND
 3. N/C
 4. BLK(W5000) ROOM 1 EXTEND
 5. BLK(W5100) ROOM 1 RETRACT
 6. BLK(W8601) JACK INTERRUPT
 7. N/C
 8. BLK(W6810) SW BATT
 9. RED(W6101) BATTERY
 10. BLK(W5002) ROOM 3 EXTEND
 11. BLK(W5102) ROOM 3 RETRACT
 12. N/C

- PIN
1. BLK(W8602) ROOM PUMP RELAY CONTROL
 2. BLK(W8601) JACK INTERRUPT
 3. N/C
 4. BLK(W5102) ROOM 3 RETRACT
 5. BLK(W5002) ROOM 3 EXTEND
 6. BLK(W6810) SW BATTERY
 7. N/C
 8. BLK(W5101) ROOM 2 RETRACT
 9. BLK(W5001) ROOM 2 EXTEND
 10. BLK(W5100) ROOM 1 RETRACT
 11. BLK(W5000) ROOM 1 EXTEND
 12. RED(W6101) BATTERY

			HWH I-80 EXIT 267 SOUTH RT 1 MOSCOW, IOWA 52760		
			SCALE 1:3	DATE 14JUL05	DRAWN BY .
			SYSTEM SCHEMATIC ELEC		
NO.	DATE	REVISION			
THE INFORMATION DISCLOSED ON THIS DRAWING IS CONFIDENTIAL AND MUST NOT BE DISCLOSED OR USED IN ANY MANNER WHICH WILL BE DETRIMENTAL TO THE HWH CORPORATION			DRAWING NUMBER MP88784 A/E		





- PIN
1. BLK(W6800)
 2. BLK(W6800)
 3. WHT(W6230)
 4. WHT(W6230)

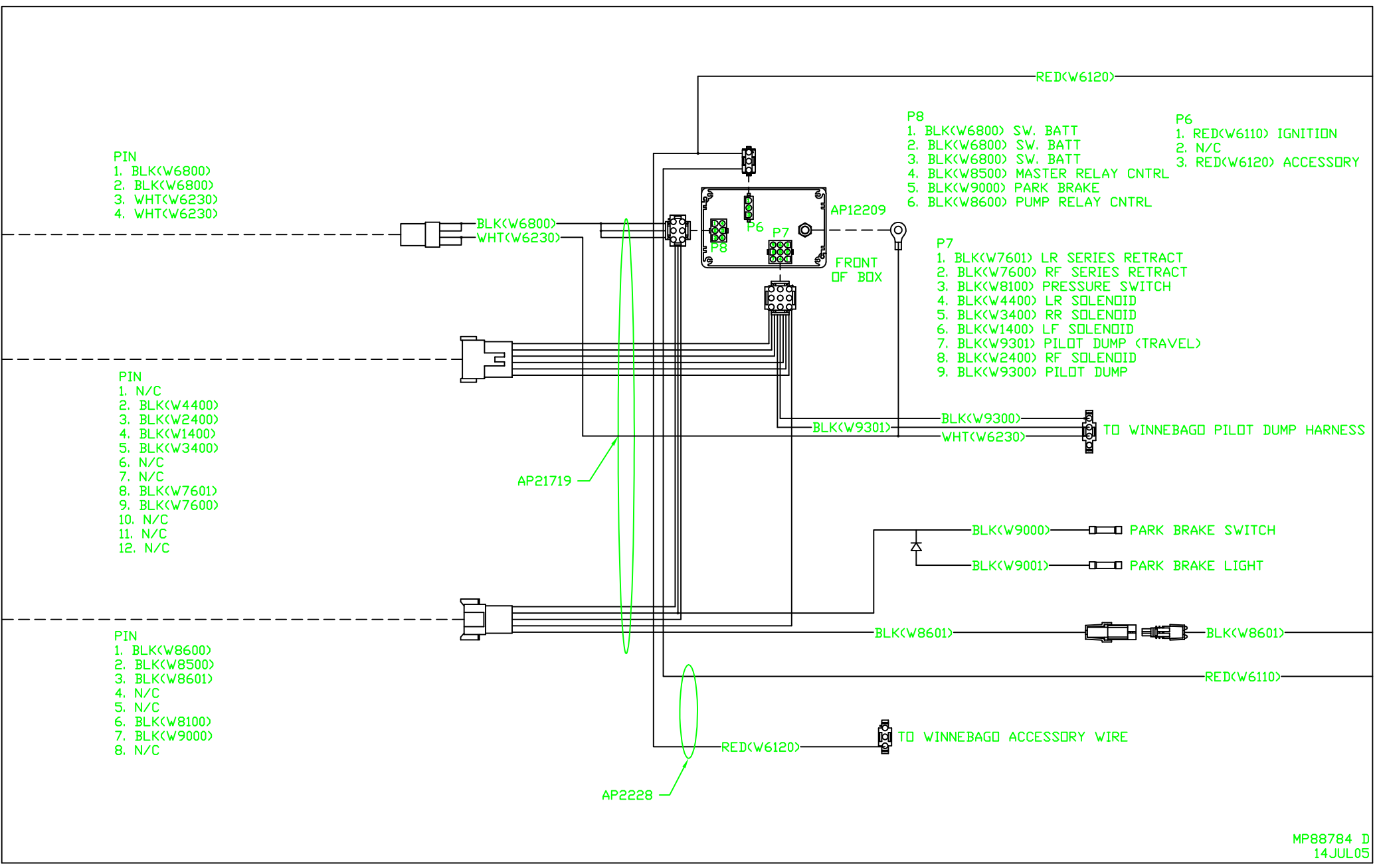
- PIN
1. N/C
 2. BLK(W4400)
 3. BLK(W2400)
 4. BLK(W1400)
 5. BLK(W3400)
 6. N/C
 7. N/C
 8. BLK(W7601)
 9. BLK(W7600)
 10. N/C
 11. N/C
 12. N/C

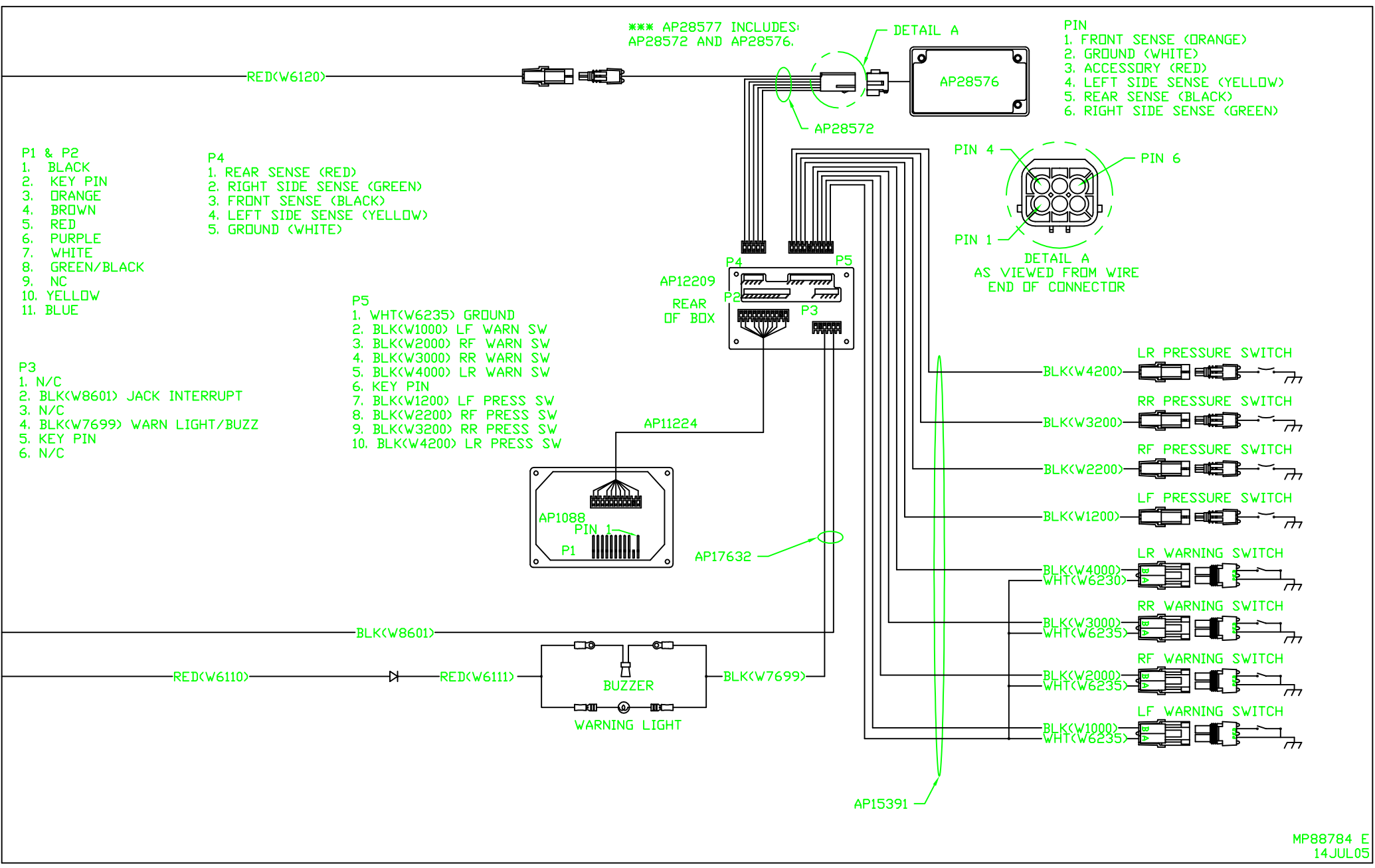
- PIN
1. BLK(W8600)
 2. BLK(W8500)
 3. BLK(W8601)
 4. N/C
 5. N/C
 6. BLK(W8100)
 7. BLK(W9000)
 8. N/C

- P8
1. BLK(W6800) SW. BATT
 2. BLK(W6800) SW. BATT
 3. BLK(W6800) SW. BATT
 4. BLK(W8500) MASTER RELAY CNTRL
 5. BLK(W9000) PARK BRAKE
 6. BLK(W8600) PUMP RELAY CNTRL

- P6
1. RED(W6110) IGNITION
 2. N/C
 3. RED(W6120) ACCESSORY

- P7
1. BLK(W7601) LR SERIES RETRACT
 2. BLK(W7600) RF SERIES RETRACT
 3. BLK(W8100) PRESSURE SWITCH
 4. BLK(W4400) LR SOLENOID
 5. BLK(W3400) RR SOLENOID
 6. BLK(W1400) LF SOLENOID
 7. BLK(W9301) PILOT DUMP (TRAVEL)
 8. BLK(W2400) RF SOLENOID
 9. BLK(W9300) PILOT DUMP





*** AP28577 INCLUDES:
AP28572 AND AP28576.

DETAIL A

- PIN
1. FRONT SENSE (ORANGE)
 2. GROUND (WHITE)
 3. ACCESSORY (RED)
 4. LEFT SIDE SENSE (YELLOW)
 5. REAR SENSE (BLACK)
 6. RIGHT SIDE SENSE (GREEN)

- P1 & P2
1. BLACK
 2. KEY PIN
 3. ORANGE
 4. BROWN
 5. RED
 6. PURPLE
 7. WHITE
 8. GREEN/BLACK
 9. NC
 10. YELLOW
 11. BLUE

- P4
1. REAR SENSE (RED)
 2. RIGHT SIDE SENSE (GREEN)
 3. FRONT SENSE (BLACK)
 4. LEFT SIDE SENSE (YELLOW)
 5. GROUND (WHITE)

- P5
1. WHT(W6235) GROUND
 2. BLK(W1000) LF WARN SW
 3. BLK(W2000) RF WARN SW
 4. BLK(W3000) RR WARN SW
 5. BLK(W4000) LR WARN SW
 6. KEY PIN
 7. BLK(W1200) LF PRESS SW
 8. BLK(W2200) RF PRESS SW
 9. BLK(W3200) RR PRESS SW
 10. BLK(W4200) LR PRESS SW

- P3
1. N/C
 2. BLK(W8601) JACK INTERRUPT
 3. N/C
 4. BLK(W7699) WARN LIGHT/BUZZ
 5. KEY PIN
 6. N/C

