

AP32471 (BROWN)
PIN

- 1 BLK(W8500) MASTER RELAY
- 2 BLK(W5000) CYLINDER 1 EXTEND
- 3 BLK(W5100) CYLINDER 1 RETRACT
- 4 BLK(W8600) PUMP RELAY
- 5 BLK(W5001) CYLINDER 2 EXTEND
- 6 BLK(W5101) CYLINDER 2 RETRACT
- 7 N/C
- 8 N/C
- 9 N/C
- 10 N/C
- 11 N/C
- 12 N/C

AP32471 (GRAY)
PIN

- 1 BLK(W6800) SW BATT
- 2 BLK(W6800) SW BATT
- 3 WHT(W6230) GROUND
- 4 WHT(W6230) GROUND

AP26272 (GRAY)
PIN

- 1 BLK(W5600) AIR SEAL
- 2 WHT(W6230) GROUND
- 3 BLK(W5650) VACUUM
- 4 N/C

AP26272 CN9(BLACK)
PIN

- 1 BLK(W7696) SYSTEM WAKE UP
- 2 N/C
- 3 RED(W6120) ACCESSORY
- 4 WHT(W6230) GROUND
- 5 CAN SHIELD
- 6 RED(W6110) IGNITION
- 7 GRN CAN LOW
- 8 YEL CAN HI

AP26272 CN10(GRAY)
PIN

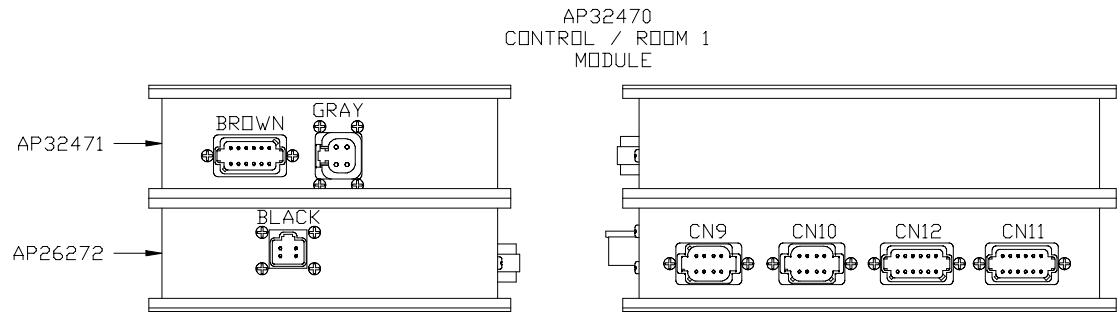
- 1 N/C
- 2 BLK(W7510) READY TO OPERATE
- 3 BLK(W7530) PUMP
- 4 BLK(W7501) EXTEND (ROOM 1)
- 5 BLK(W7502) RETRACT (ROOM 1)
- 6 RED(W6805) SW BATTERY
- 7 BLK(W7696) SYSTEM WAKE UP
- 8 WHT(W6230) GROUND

AP26272 CN12(GRAY)
PIN

- 1 N/C
- 2 N/C
- 3 N/C
- 4 N/C
- 5 N/C
- 6 N/C
- 7 N/C
- 8 N/C
- 9 N/C
- 10 N/C
- 11 N/C
- 12 N/C

AP26272 CN11(GREEN)
PIN

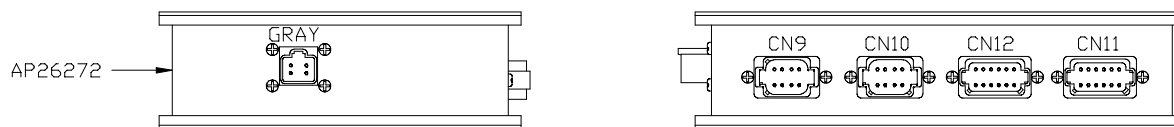
- 1 N/C
- 2 N/C
- 3 N/C
- 4 N/C
- 5 N/C
- 6 N/C
- 7 N/C
- 8 N/C
- 9 N/C
- 10 N/C
- 11 N/C
- 12 N/C



NOTE: WIRE NUMBERS ON THIS SHEET ARE REFERENCED TO HARNESS PLUGS.

			HWH I-80 EXIT 267 SOUTH RT 1 MOSCOW, IOWA 52760		
			SCALE 1:3	DATE 17DEC03	DRAWN BY .
1	20DEC05	UPDATED WIRE #'S, LEADS	SYSTEM SCHEMATIC ELEC		
NO.	DATE	REVISION			
THE INFORMATION DISCLOSED ON THIS DRAWING IS CONFIDENTIAL AND MUST NOT BE DISCLOSED OR USED IN ANY MANNER WHICH WILL BE DETRIMENTAL TO THE HWH CORPORATION			DRAWING NUMBER MP89164 A/G		

AP23317
ROOM 2 MODULE



AP26272 (GRAY)
PIN
1 BLK(W5600) AIR SEAL
2 WHT(W6230) GROUND
3 BLK(W5650) VACUUM
4 N/C

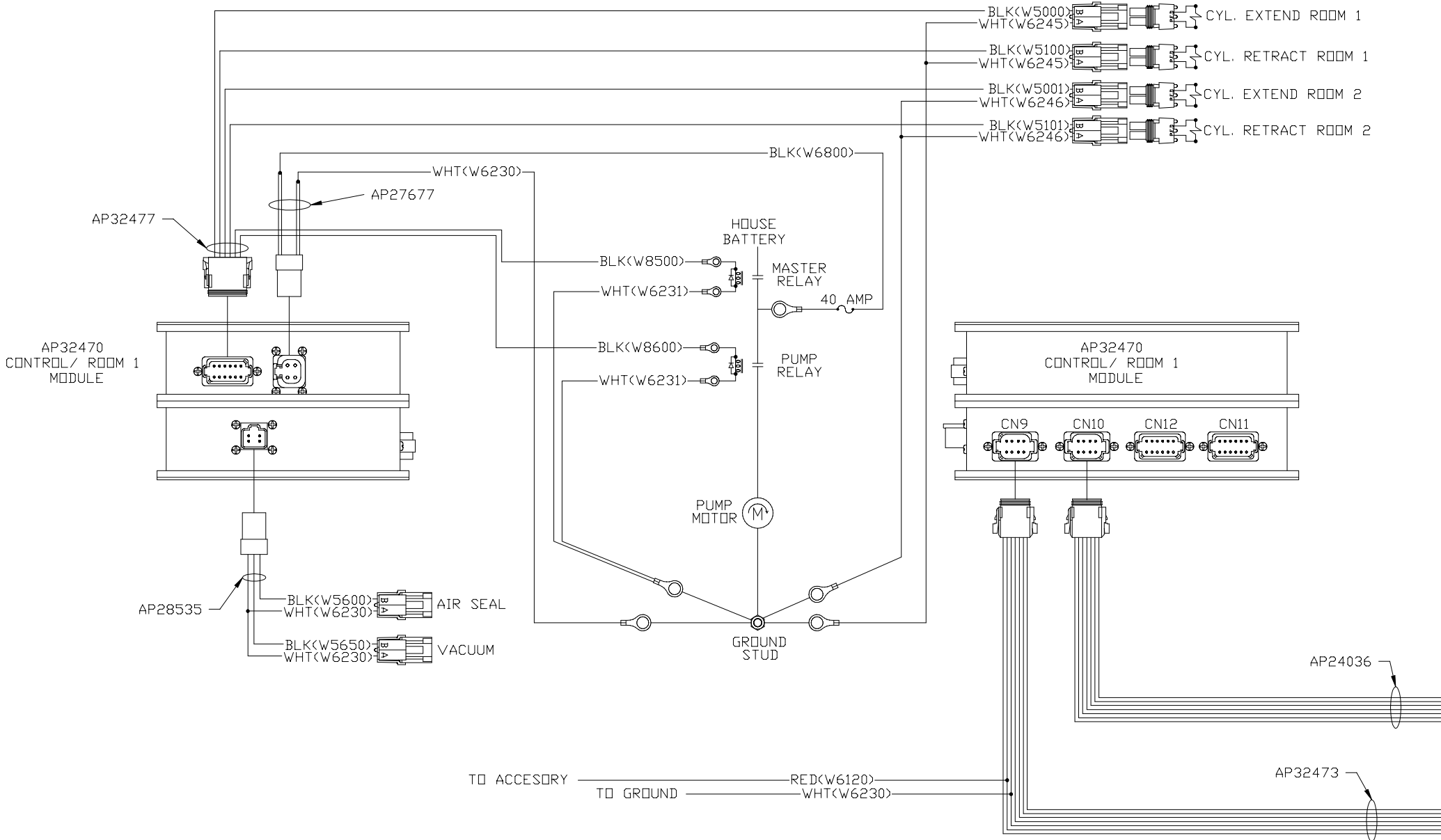
AP26272 CN9 (BLACK)
PIN
1 BLK(W7696) SYSTEM WAKE UP
2 N/C
3 RED(W6120) ACCESSORY
4 WHT GROUND
5 CAN SHIELD
6 N/C
7 GRN CAN LOW
8 YEL CAN HI

AP26272 CN10 (GRAY)
PIN
1 N/C
2 BLK(W7510) READY TO OPERATE
3 BLK(W7530) PUMP
4 BLK(W7501) EXTEND
5 BLK(W7502) RETRACT
6 RED(W6805) SW BATTERY
7 BLK(W7696) SYSTEM WAKE UP
8 WHT(W6230) GROUND

AP26272 CN12 (GRAY)
PIN
1 N/C
2 N/C
3 N/C
4 N/C
5 N/C
6 N/C
7 N/C
8 N/C
9 N/C
10 N/C
11 N/C
12 N/C

AP26272 CN11(GREEN)
PIN
1 N/C
2 N/C
3 N/C
4 N/C
5 N/C
6 N/C
7 N/C
8 N/C
9 N/C
10 N/C
11 N/C
12 N/C

NOTE: WIRE NUMBERS ON THIS SHEET ARE REFERENCED TO HARNESS PLUGS.

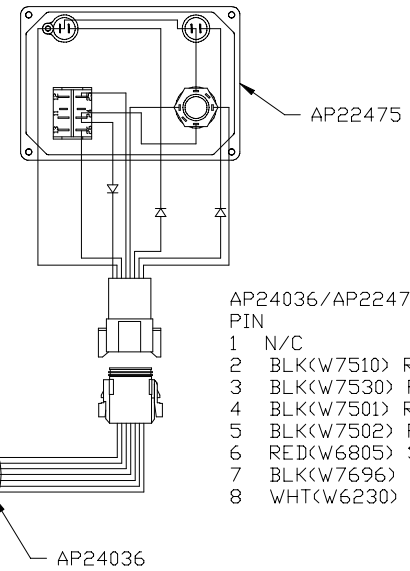
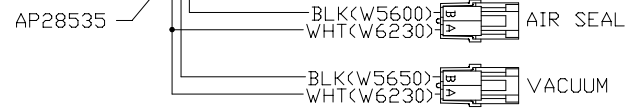
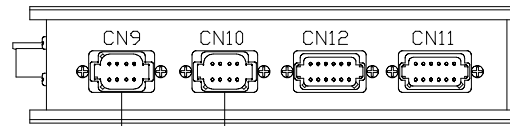
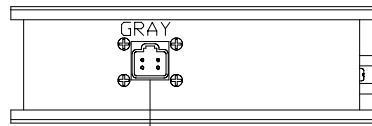
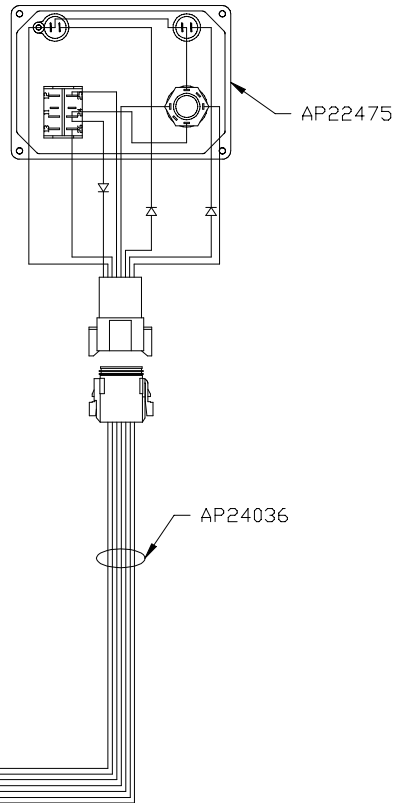


AP24036/AP22475

PIN

- 1 N/C
- 2 BLK(W7510) READY TO OPERATE
- 3 BLK(W7530) PUMP
- 4 BLK(W7501) ROOM 1 EXTEND
- 5 BLK(W7502) ROOM 1 RETRACT
- 6 RED(W6805) SW BATTERY
- 7 BLK(W7696) SYSTEM WAKE UP
- 8 WHT(W6230) GROUND

AP23317
ROOM 2 MODULE

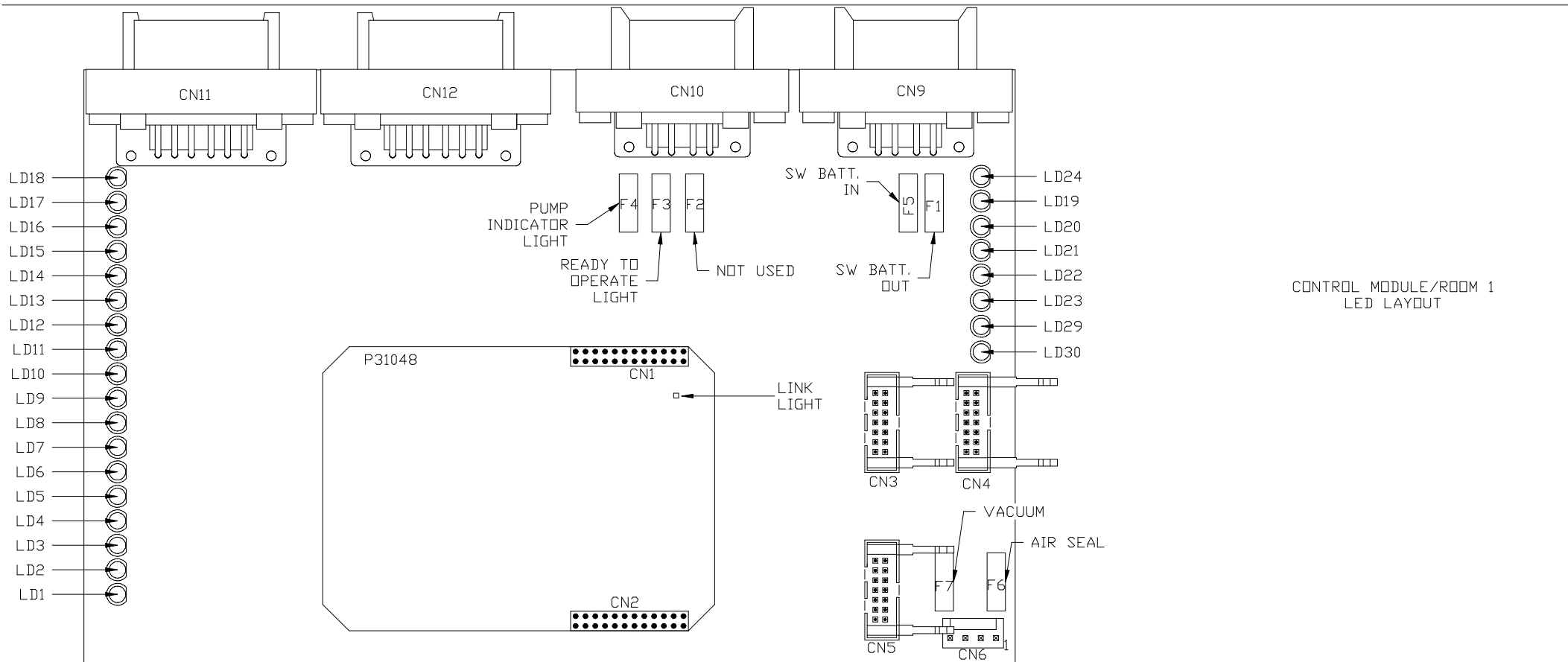


AP24036/AP22475

PIN

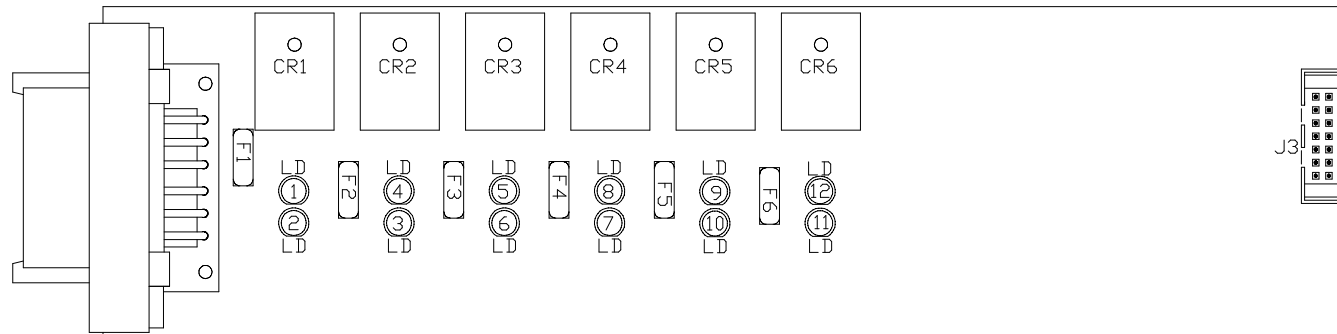
- 1 N/C
- 2 BLK(W7510) READY TO OPERATE
- 3 BLK(W7530) PUMP
- 4 BLK(W7501) ROOM 2 EXTEND
- 5 BLK(W7502) ROOM 2 RETRACT
- 6 RED(W6805) SW BATTERY
- 7 BLK(W7696) SYSTEM WAKE UP
- 8 WHT(W6230) GROUND

AP32473



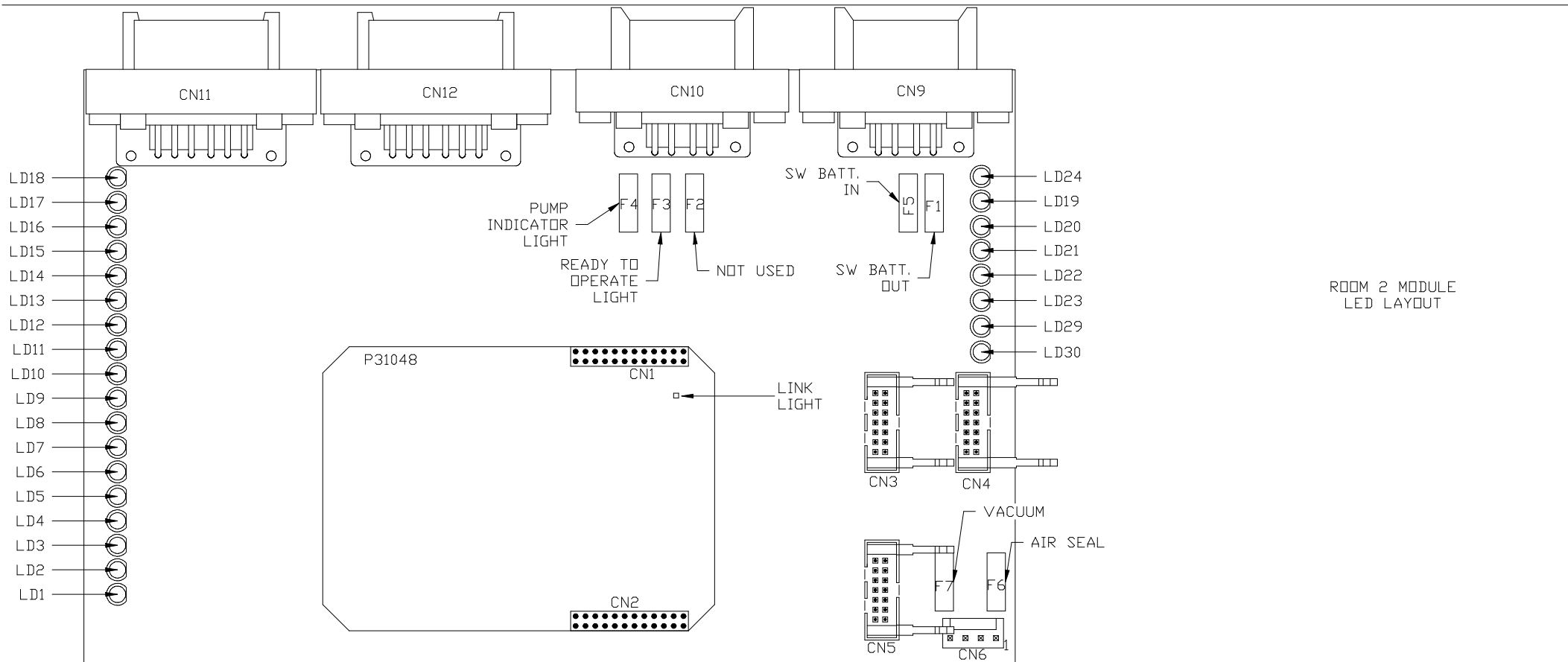
CONTROL MODULE/ROOM 1
LED LAYOUT

LED #	CONNECTOR	COLOR	DESCRIPTION	LED #	CONNECTOR	COLOR	DESCRIPTION
LED 1	CN10 PIN 4	RED	EXTEND	LED 16	NOT USED	GREEN	NOT USED
LED 2	CN10 PIN 5	RED	RETRACT	LED 17	NOT USED	GREEN	NOT USED
LED 3	NOT USED	GREEN	NOT USED	LED 18	NOT USED	GREEN	NOT USED
LED 4	NOT USED	YELLOW	NOT USED	LED 19	CN11/CN12 PIN 7	RED	12V OUTPUT
LED 5	NOT USED	YELLOW	NOT USED	LED 20	CN9 PIN 3	RED	SW BATT
LED 6	NOT USED	YELLOW	NOT USED	LED 21	CN10 PIN 3	RED	PUMP INDICATOR
LED 7	NOT USED	GREEN	NOT USED	LED 22	CN10 PIN 2	RED	READY TO OPERATE
LED 8	NOT USED	GREEN	NOT USED	LED 23	NOT USED	RED	NOT USED
LED 9	NOT USED	GREEN	NOT USED	LED 24	CN10 PIN 7	RED	SYSTEM WAKE UP
LED 10	NOT USED	GREEN	NOT USED	LED 29	CN6 PIN 1	RED	AIR SEAL
LED 11	NOT USED	YELLOW	NOT USED	LED 30	CN6 PIN 3	RED	VACUUM
LED 12	NOT USED	YELLOW	NOT USED				
LED 13	NOT USED	YELLOW	NOT USED				
LED 14	NOT USED	YELLOW	NOT USED				
LED 15	NOT USED	GREEN	NOT USED				



LED #	COLOR	INPUT J3	FUSE #	OUTPUT	RELAY #	DESCRIPTION
LED1	YELLOW	PIN 13	---	---	CR1	MASTER RELAY (COIL)
LED2	RED	---	FUSE 1	PIN 1	CR1	MASTER RELAY (CONTACT)
LED3	RED	---	FUSE 2	PIN 2	CR2	CYLINDER 1 EXTEND (CONTACT)
LED4	YELLOW	PIN 12	---	---	CR2	CYLINDER 1 EXTEND (COIL)
LED5	YELLOW	PIN 11	---	---	CR3	CYLINDER 1 RETRACT (COIL)
LED6	RED	---	FUSE 3	PIN 3	CR3	CYLINDER 1 RETRACT (CONTACT)
LED7	RED	---	FUSE 4	PIN 4	CR4	PUMP RELAY (CONTACT)
LED8	YELLOW	PIN 10	---	---	CR4	PUMP RELAY (COIL)
LED9	YELLOW	PIN 9	---	---	CR5	CYLINDER 2 EXTEND (COIL)
LED10	RED	---	FUSE 5	PIN 5	CR5	CYLINDER 2 EXTEND (CONTACT)
LED11	RED	---	FUSE 6	PIN 6	CR6	CYLINDER 2 RETRACT (CONTACT)
LED12	YELLOW	PIN 8	---	---	CR6	CYLINDER 2 RETRACT (COIL)
LED13	---	---	---	---	---	---
LED14	---	---	---	---	---	---
LED15	---	---	---	---	---	---
LED16	---	---	---	---	---	---
LED17	---	---	---	---	---	---
LED18	---	---	---	---	---	---
LED19	---	---	---	---	---	---
LED20	---	---	---	---	---	---

ROOM 1/ROOM 2/
MASTER RELAY/PUMP RELAY
OUTPUTS
LED LAYOUT



ROOM 2 MODULE
LED LAYOUT

LED #	CONNECTOR	COLOR	DESCRIPTION	LED #	CONNECTOR	COLOR	DESCRIPTION
LED 1	CN10 PIN 4	RED	EXTEND	LED 16	NOT USED	GREEN	NOT USED
LED 2	CN10 PIN 5	RED	RETRACT	LED 17	NOT USED	GREEN	NOT USED
LED 3	NOT USED	GREEN	NOT USED	LED 18	NOT USED	GREEN	NOT USED
LED 4	NOT USED	YELLOW	NOT USED	LED 19	CN11/CN12 PIN 7	RED	12V OUTPUT
LED 5	NOT USED	YELLOW	NOT USED	LED 20	CN9 PIN 3	RED	SW BATT
LED 6	NOT USED	YELLOW	NOT USED	LED 21	CN10 PIN 3	RED	PUMP INDICATOR
LED 7	NOT USED	GREEN	NOT USED	LED 22	CN10 PIN 2	RED	READY TO OPERATE
LED 8	NOT USED	GREEN	NOT USED	LED 23	NOT USED	RED	NOT USED
LED 9	NOT USED	GREEN	NOT USED	LED 24	CN10 PIN 7	RED	SYSTEM WAKE UP
LED 10	NOT USED	GREEN	NOT USED	LED 29	CN6 PIN 1	RED	AIR SEAL
LED 11	NOT USED	YELLOW	NOT USED	LED 30	CN6 PIN 3	RED	VACUUM
LED 12	NOT USED	YELLOW	NOT USED				
LED 13	NOT USED	YELLOW	NOT USED				
LED 14	NOT USED	YELLOW	NOT USED				
LED 15	NOT USED	GREEN	NOT USED				