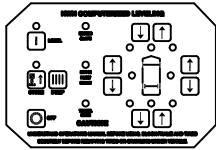
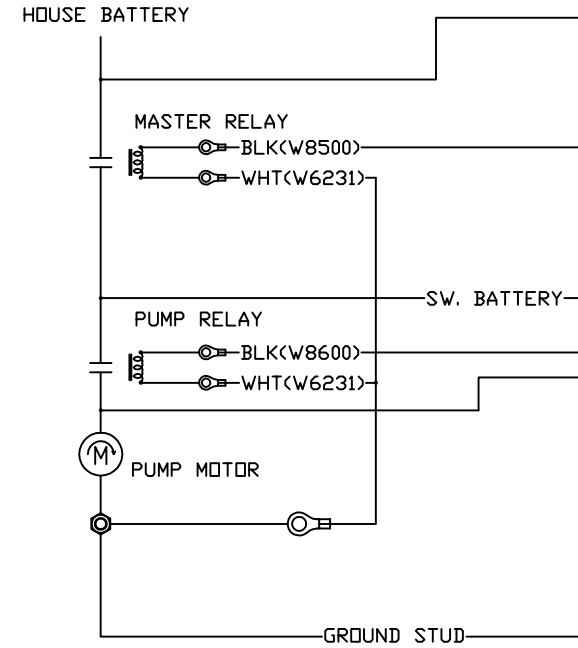
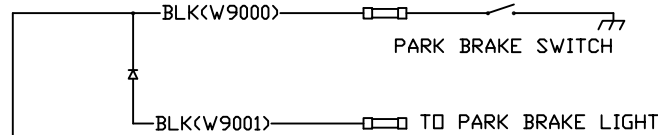
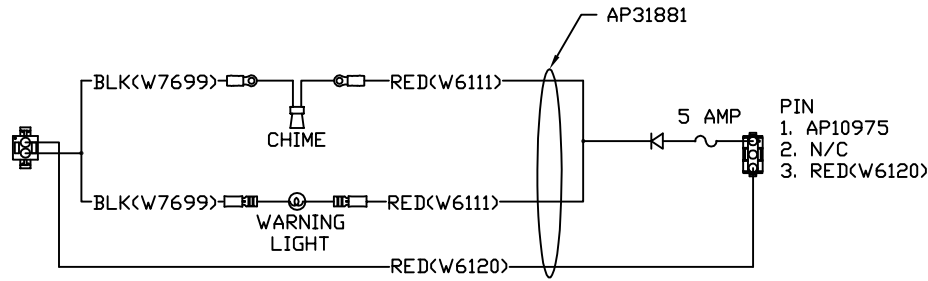


NOTE: AP25650 TOUCH PANEL AND AP31882 CHIME KIT WHICH INCLUDES AP31881 ARE ORDERED SEPARATELY FROM HWH CORP.



- PIN
1. YELLOW CAN HIGH
 2. GREEN CAN LOW
 3. CAN SHIELD
 4. WHT(W6230) GROUND
 5. RED(W6800) SW. BATTERY



- RED(W6120)
- BLK(W9000)
- BLK(W7699)
- YELLOW
- GREEN
- SHIELD
- WHITE(W6230)
- RED(W6800)

AP31879

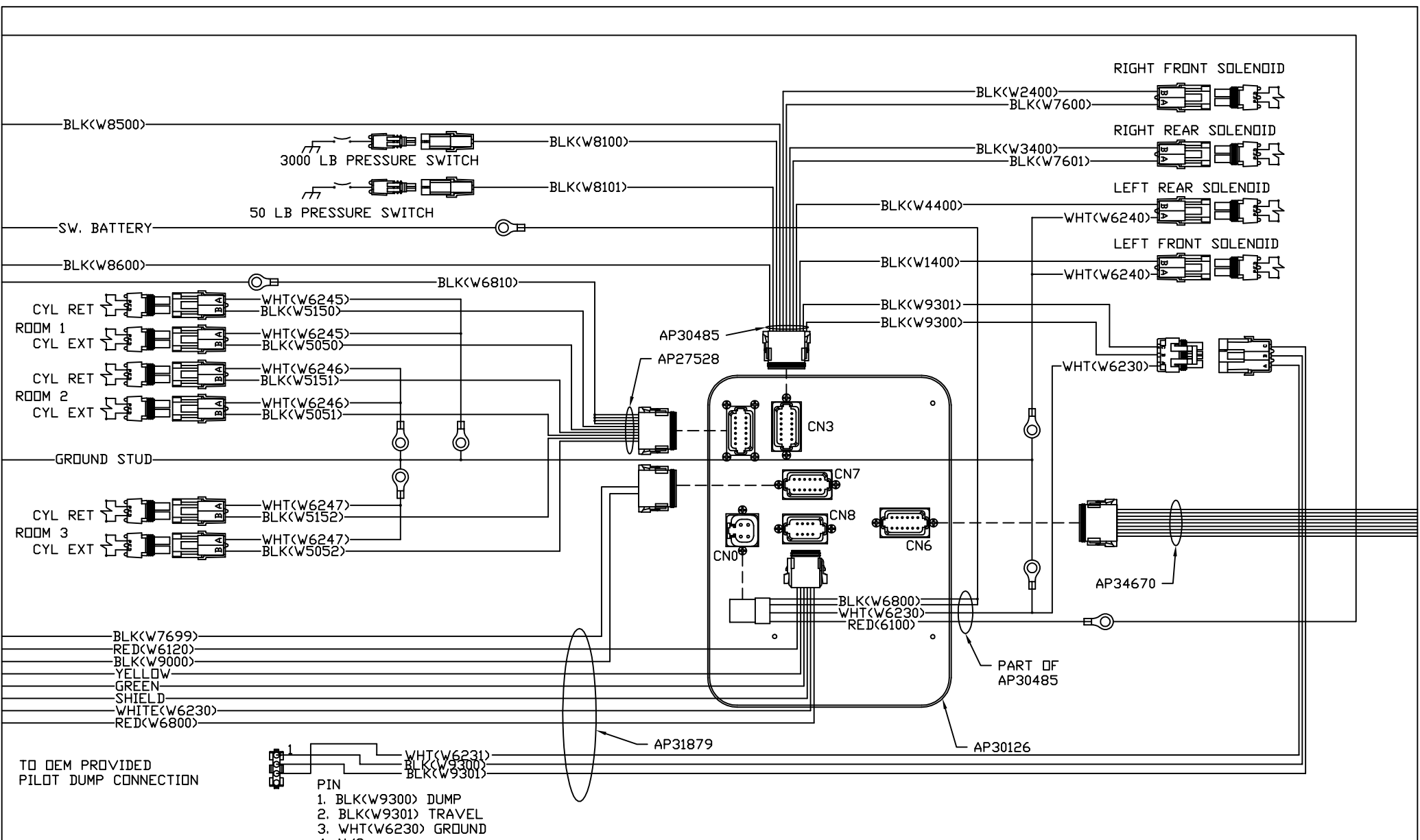
NO.	DATE	REVISION
2	14FEB08	ADDED NOTE, WAS A/F
1	27OCT05	CORRECTED TOUCH PANEL

		I-80 EXIT 267 SOUTH RT 1 MOSCOW, IOWA 52760	
		SCALE 1:3	DATE 03NOV04
SYSTEM SCHEMATIC ELEC			

NOTE: INSTALLATION MUST CONFORM TO GOOD SHOP PRACTICES, SAE STANDARDS, RVIA STANDARDS, AND OTHER APPLICABLE STANDARDS.

THE INFORMATION DISCLOSED ON THIS DRAWING IS CONFIDENTIAL AND MUST NOT BE DISCLOSED OR USED IN ANY MANNER WHICH WILL BE DETRIMENTAL TO THE HWH CORPORATION

DRAWING NUMBER
MP89356 A/E



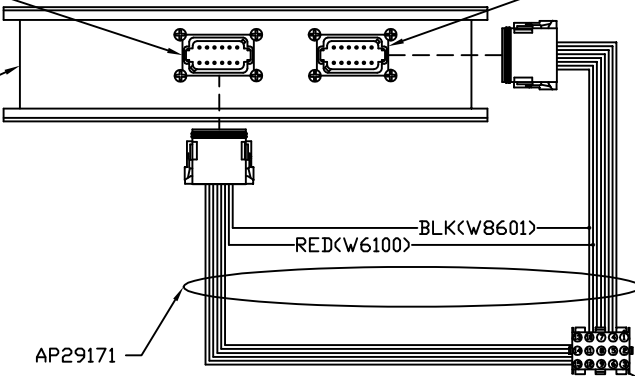
NOTE: INSTALLATION MUST CONFORM TO GOOD SHOP PRACTICES, SAE STANDARDS, RVIA STANDARDS, AND OTHER APPLICABLE STANDARDS.

- BLACK 12 PIN
1. BLK(W6810) SW. BATT ROOM 1
 2. BLK(W5000) EXTEND ROOM 1
 3. BLK(W5100) RETRACT ROOM 1
 4. BLK(W6811) SW. BATT ROOM 2
 5. BLK(W5001) EXTEND ROOM 2
 6. BLK(W5101) RETRACT ROOM 2
 7. N/C
 8. N/C (KEY PIN)
 9. N/C
 10. BLK(W8601) PUMP
 11. RED(W6100) BATTERY
 12. N/C (KEY PIN)

NOTE: WIRE NUMBERS ON THIS SHEET ARE REFERENCED TO HARNESS PLUGS.

- BLACK 12 PIN
1. BLK(W6812) SW. BATT ROOM 3
 2. BLK(W5002) EXTEND ROOM 3
 3. BLK(W5102) RETRACT ROOM 3
 4. BLK(W6813) SW. BATT ROOM 4
 5. BLK(W5003) EXTEND ROOM 4
 6. BLK(W5103) RETRACT ROOM 4
 7. N/C
 8. N/C (KEY PIN)
 9. N/C (KEY PIN)
 10. BLK(W8601) PUMP
 11. RED(W6100) BATTERY
 12. N/C
- NOT USED

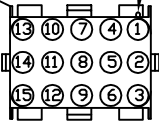
AP30126



AP29171

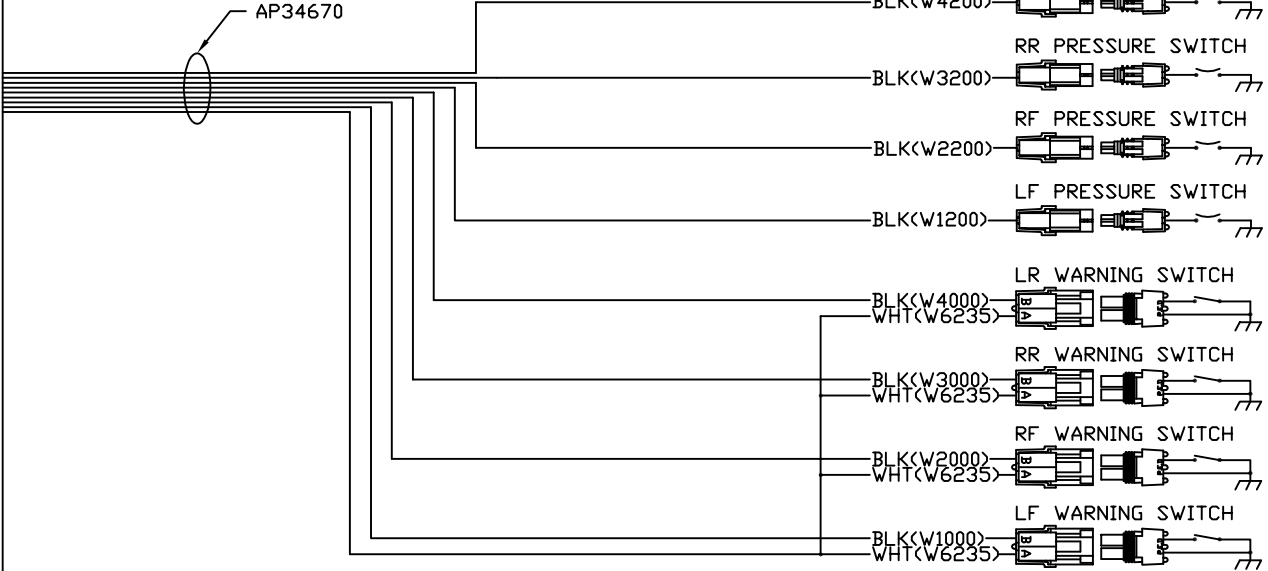
TO OEM PROVIDED ROOM PANELS

LOCATING TAB



- PIN
1. BLK(W5000) ROOM 1 EXTEND
 2. BLK(W5100) ROOM 1 RETRACT
 3. BLK(W6810) ROOM 1 SW. BATT.
 4. BLK(W5001) ROOM 2 EXTEND
 5. BLK(W5101) ROOM 2 RETRACT
 6. BLK(W6811) ROOM 2 SW. BATT.
 7. BLK(W5002) ROOM 3 EXTEND
 8. BLK(W5102) ROOM 3 RETRACT
 9. BLK(W6812) ROOM 3 SW. BATT.
 10. BLK(W5003) ROOM 4 EXTEND
 11. BLK(W5103) ROOM 4 RETRACT
 12. BLK(W6813) ROOM 4 SW. BATT.
 13. BLK(W8601) PUMP RELAY CONTROL
 14. RED(W6100) BATTERY
- NOT USED

AP34670



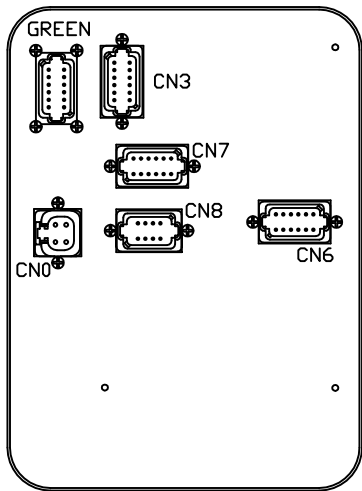
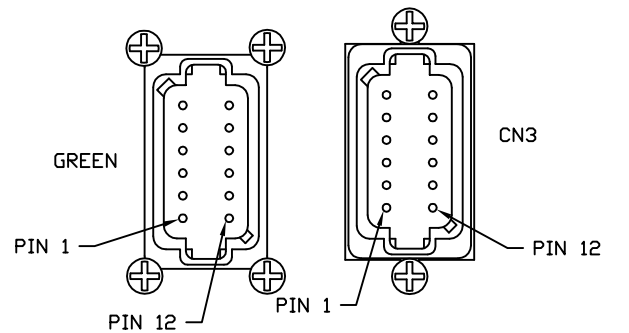
NOTE: INSTALLATION MUST CONFORM TO GOOD SHOP PRACTICES, SAE STANDARDS, RVIA STANDARDS, AND OTHER APPLICABLE STANDARDS.

GREEN
PIN

1. BLK(W5050) CYL EXT. ROOM 1
2. BLK(W5150) CYL RET. ROOM 1
3. BLK(W5051) CYL EXT. ROOM 2
4. BLK(W5151) CYL RET. ROOM 2
5. BLK(W5052) CYL EXT. ROOM 3
6. BLK(W5152) CYL RET. ROOM 3
7. N/C
8. N/C
9. BLK(W6810) SW. BATTERY
10. BLK(W6810) SW. BATTERY
11. BLK(W6810) SW. BATTERY
12. BLK(W6810) SW. BATTERY

CN3 (BROWN)
PIN

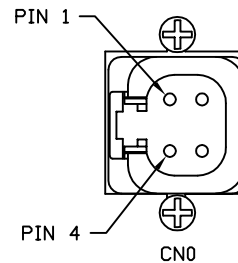
1. BLK(W8500) MASTER RELAY
2. BLK(W8100) 3000 LB PRESS SW
3. BLK(W8101) 50 LB PRESS SW
4. BLK(W9301) PILOT DUMP TRAVEL
5. BLK(W1400) LF SOLENOID
6. BLK(W7600) CRX 1
7. BLK(W7601) CRX 2
8. BLK(W4400) LR SOLENOID
9. BLK(W3400) RR SOLENOID
10. BLK(W2400) RF SOLENOID
11. BLK(W9300) PILOT DUMP
12. BLK(W8600) PUMP RELAY CONTROL



AP30126

CN7 (BLACK)
PIN

1. N/C
2. N/C
3. N/C
4. N/C
5. N/C
6. N/C
7. BLK(W9000) PARK BRAKE
8. N/C
9. N/C
10. N/C
11. BLK(W7699) WARN/CHIME CONTROL
12. N/C



NOTE: WIRE NUMBERS ON THIS SHEET ARE REFERENCED TO HARNESS PLUGS.

CN0 (GRAY)
PIN

1. BLK(W6800) SW BATT
2. BLK(W6800) SW BATT
3. WHT(W6230) GROUND
4. RED(W6100) BATT

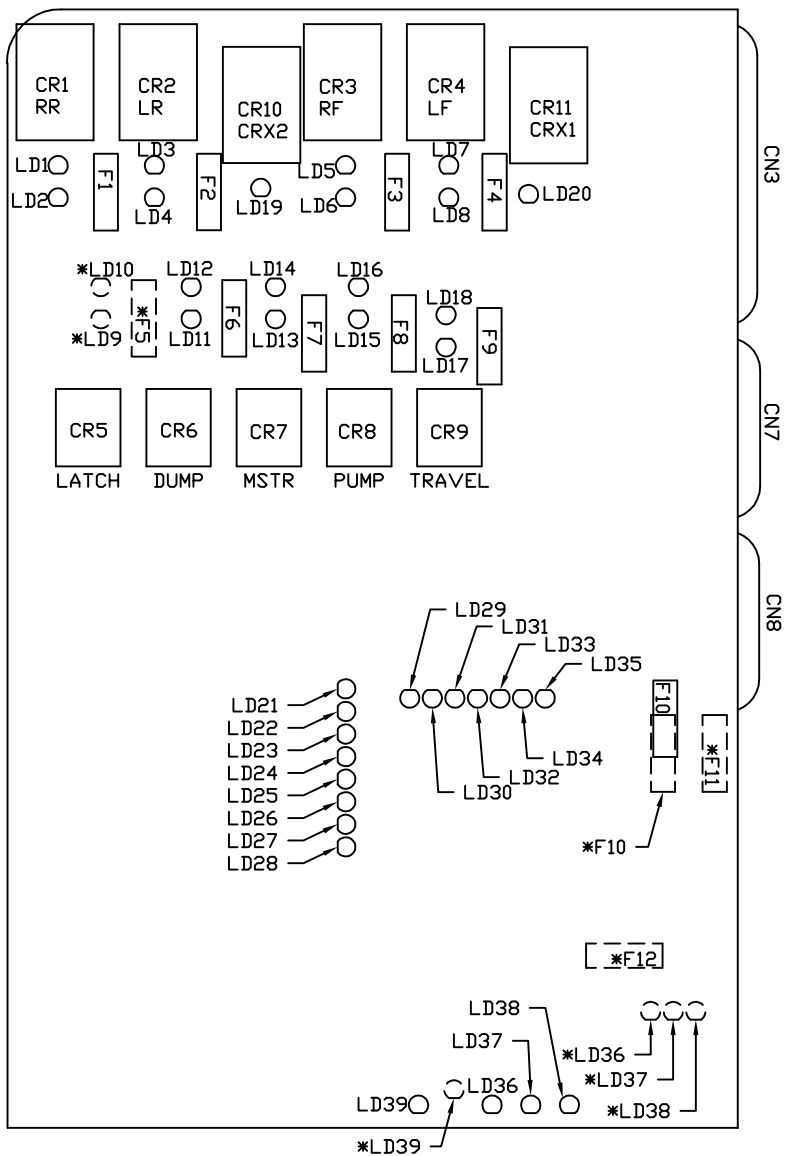
CN8 (BLACK)
PIN

1. N/C
2. N/C
3. RED(W6800) SW BATT
4. WHT(W6230) GROUND
5. CAN SHIELD
6. RED(W6120) ACCESSORY
7. GREEN
8. YELLOW

CN6 (GRAY)
PIN

1. N/C
2. N/C
3. BLK(W1000) LF WARN SW
4. BLK(W2000) RF WARN SW
5. BLK(W1200) LF PRESS SW
6. BLK(W2200) RF PRESS SW
7. BLK(W3200) RR PRESS SW
8. BLK(W4200) LR PRESS SW
9. BLK(W3000) RR WARN SW
10. BLK(W4000) LR WARN SW
11. N/C
12. WHT(W6235) GROUND

NOTE: INSTALLATION MUST CONFORM TO GOOD SHOP PRACTICES, SAE STANDARDS, RVIA STANDARDS, AND OTHER APPLICABLE STANDARDS.



LED #	COLOR	DESCRIPTION
LED 1	YELLOW	RR COIL
LED 2	RED	RR CONTACT
LED 3	YELLOW	LR COIL
LED 4	RED	LR CONTACT
LED 5	YELLOW	RF COIL
LED 6	RED	RF CONTACT
LED 7	YELLOW	LF COIL
LED 8	RED	LF CONTACT
*LED 9	YELLOW	---
*LED 10	RED	---
LED 11	YELLOW	DUMP COIL
LED 12	RED	DUMP CONTACT
LED 13	YELLOW	MASTER RELAY COIL
LED 14	RED	MASTER RELAY CONTACT
LED 15	YELLOW	PUMP COIL
LED 16	RED	PUMP CONTACT
LED 17	YELLOW	TRAVEL COIL
LED 18	RED	TRAVEL CONTACT
LED 19	YELLOW	CRX 2
LED 20	YELLOW	CRX 1
LED 21	YELLOW	LF WARN SW
LED 22	YELLOW	RF WARN SW
LED 23	YELLOW	RR WARN SW
LED 24	YELLOW	LR WARN SW
LED 25	RED	LF PRESS SW
LED 26	RED	RF PRESS SW
LED 27	RED	RR PRESS SW
LED 28	RED	LR PRESS SW
LED 29	RED	NOT USED
LED 30	YELLOW	NOT USED
LED 31	GREEN	3000 LB PSW INPUT
LED 32	RED	MASTER WARNING CONTROL
LED 33	GREEN	50 LB PSW INPUT
LED 34	RED	JACK INTERRUPT
LED 35	RED	PARK BRAKE
LED 36	RED	BOARD ENABLED
LED 37	RED	ACCESSORY IN
LED 38	RED	ACCESSORY OUT
LED 39	RED	LINK LIGHT

FUSE	RATING	DESCRIPTION
F1	15 AMP	RR OUTPUT
F2	15 AMP	LR OUTPUT
F3	15 AMP	RF OUTPUT
F4	15 AMP	LF OUTPUT
*F5	NOT USED	---
F6	5 AMP	DUMP OUTPUT
F7	5 AMP	MASTER OUTPUT
F8	5 AMP	PUMP OUTPUT
F9	5 AMP	TRAVEL OUTPUT
F10	7.5 AMP	ACC INPUT
*F11	3 AMP	WARN LIGHT SUPPLY
*F12	10 AMP	ACC OUTPUT

NOTE: COMPONENTS MARKED WITH A "*" ARE LOCATED ON OLDER 625 BOARD ASSEMBLIES.

ON NEWER BOARD ASSEMBLIES, FUSES F5, F11 AND F12 HAVE BEEN REPLACED BY POLYFUSES. THESE POLYFUSES ARE NOT REPLACEABLE.

NOTE: INSTALLATION MUST CONFORM TO GOOD SHOP PRACTICES, SAE STANDARDS, RVIA STANDARDS, AND OTHER APPLICABLE STANDARDS.