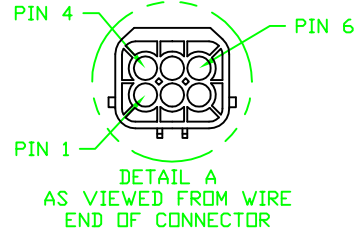
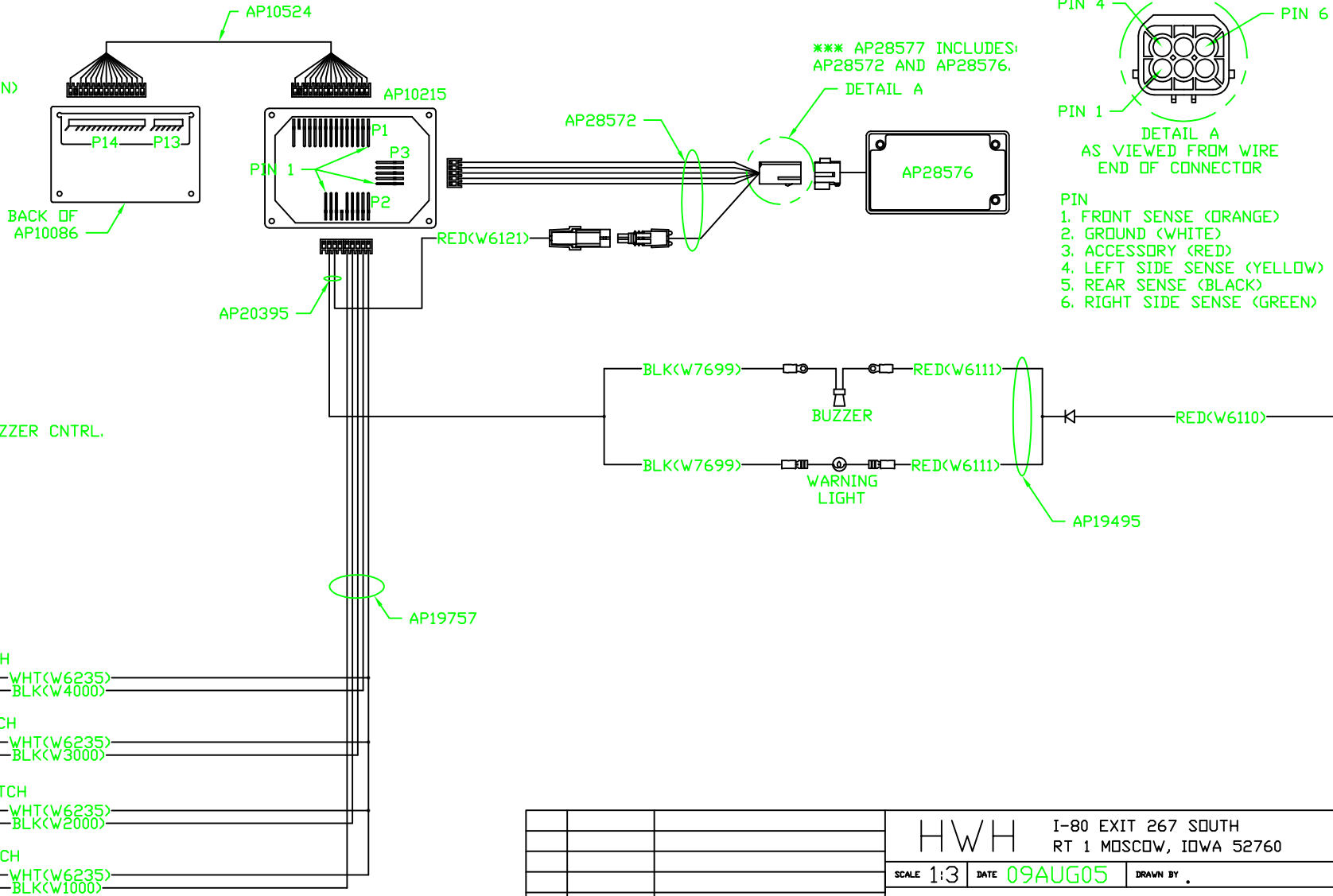
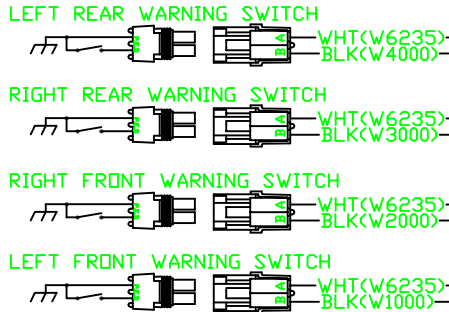


- P14 - P1
- 1) BLUE (WARN SENSE)
 - 2) BROWN (SERIES)
 - 3) GRAY (SW. ACC.)
 - 4) PURPLE (FUSED ACC.)
 - 5) BLACK/WHITE (STORE RETURN)
 - 6) BLACK (PARK BRAKE)
 - 7) WHITE/BLACK (GND)
 - 8) WHITE (DUMP)
 - 9) ORANGE/BLACK (STORE)
 - 10) ORANGE (PUMP)
 - 11) GREEN (LF)
 - 12) GREEN/BLACK (LR)
 - 13) RED/BLACK (RR)
 - 14) NC (KEYING PIN)
 - 15) RED (RF)

- P2
- 1) WHT(W6235) GND
 - 2) BLK(W1000) LF WARN
 - 3) BLK(W2000) RF WARN
 - 4) BLK(W3000) RR WARN
 - 5) BLK(W4000) LR WARN
 - 6) N/C (KEY PIN)
 - 7) RED(W6121) IGN.
 - 8) BLK(W7699) WARN LIGHT/BUZZER CNTRL.
 - 9) N/C

- P3
- 1) ORANGE (FRONT SENSE)
 - 2) GREEN (RIGHT SENSE)
 - 3) BLACK (REAR SENSE)
 - 4) YELLOW (LEFT SENSE)
 - 5) WHITE (GROUND)

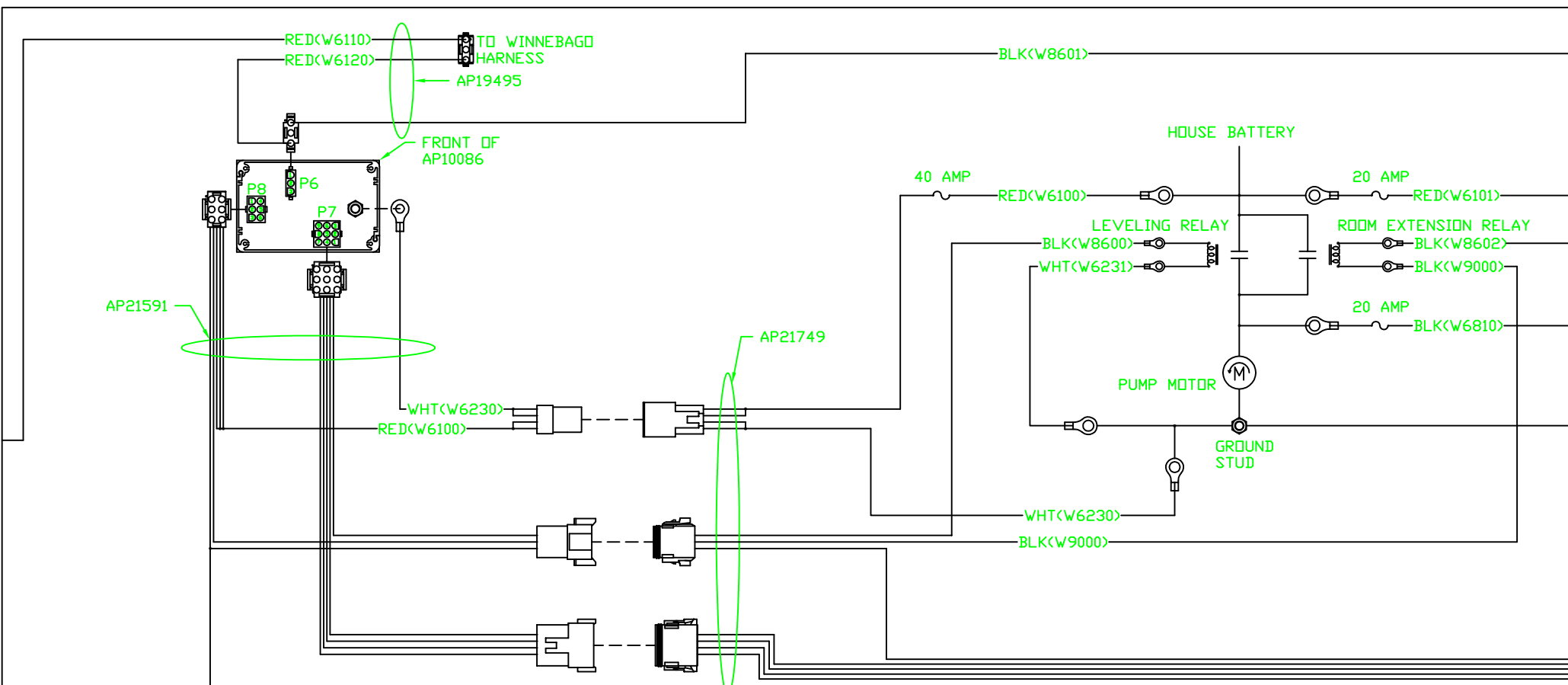


- PIN
1. FRONT SENSE (ORANGE)
 2. GROUND (WHITE)
 3. ACCESSORY (RED)
 4. LEFT SIDE SENSE (YELLOW)
 5. REAR SENSE (BLACK)
 6. RIGHT SIDE SENSE (GREEN)

NOTE: INSTALLATION MUST CONFORM TO GOOD SHOP PRACTICES, SAE STANDARDS, RVIA STANDARDS, AND OTHER APPLICABLE STANDARDS.

			HWH I-80 EXIT 267 SOUTH RT 1 MOSCOW, IOWA 52760		
SCALE 1:3		DATE 09AUG05	DRAWN BY .		
1	27NOV07	ADDED INSTALLATION NOTE			
NO.	DATE	REVISION			
THE INFORMATION DISCLOSED ON THIS DRAWING IS CONFIDENTIAL AND MUST NOT BE DISCLOSED OR USED IN ANY MANNER WHICH WILL BE DETRIMENTAL TO THE HWH CORPORATION			DRAWING NUMBER MP89467 A/C		

SYSTEM SCHEMATIC ELEC



- P6
 1) BLK<W8601> JACK INT.
 2) N/C
 3) RED<W6120> ACC.

- P8
 1) RED<W6100> BATT.
 2) RED<W6100> BATT.
 3) RED<W6100> BATT.
 4) N/C
 5) BLK<W9000> PARK BRAKE
 6) BLK<W8600> PUMP RELAY

- P7
 1) N/C
 2) N/C
 3) BLK<W8100> PRESS. SW.
 4) BLK<W4400> LR SOLENOID
 5) BLK<W3400> RR SOLENOID
 6) BLK<W1400> LF SOLENOID
 7) N/C
 8) BLK<W2400> RF SOLENOID
 9) N/C

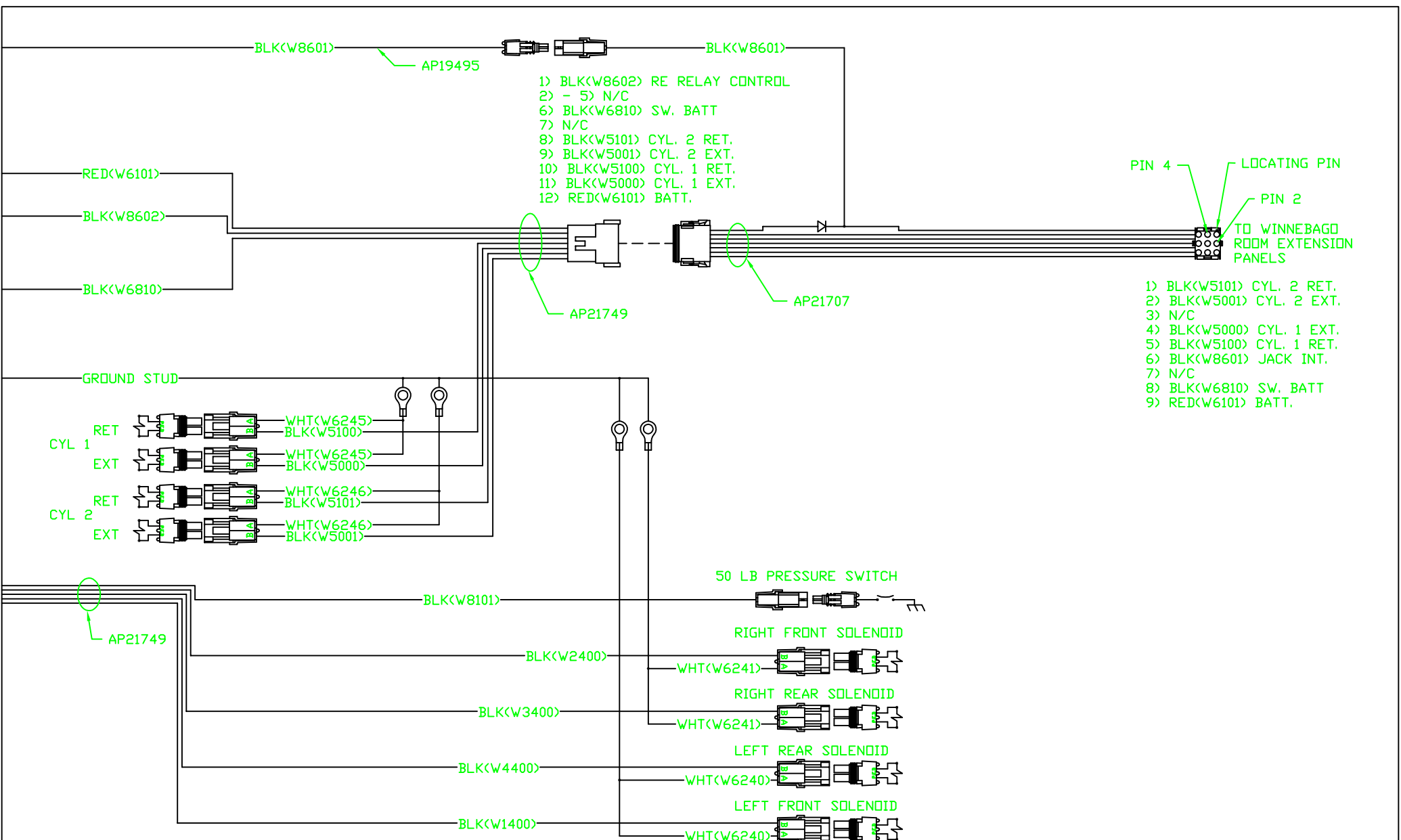
- 4 PIN DEUTSCH
 1) RED<W6100> BATT.
 2) RED<W6100> BATT.
 3) WHT<W6230> GND.
 4) WHT<W6230> GND.

- 8 PIN DEUTSCH
 1) BLK<W8600>
 2) - 5) N/C
 6) BLK<8100>
 7) BLK<9000>
 8) N/C

- 12 PIN DEUTSCH
 1) N/C
 2) BLK<W4400>
 3) BLK<W2400>
 4) BLK<W1400>
 5) BLK<W3400>
 6) - 12) N/C

NOTE: INSTALLATION MUST CONFORM TO GOOD SHOP PRACTICES, SAE STANDARDS, RVIA STANDARDS, AND OTHER APPLICABLE STANDARDS.

MP89467 B
 27NOV07



NOTE: INSTALLATION MUST CONFORM TO GOOD SHOP PRACTICES, SAE STANDARDS, RVIA STANDARDS, AND OTHER APPLICABLE STANDARDS.