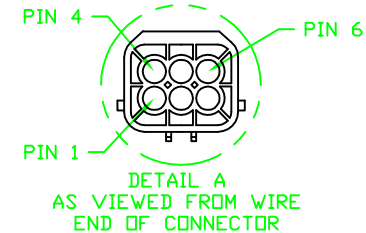
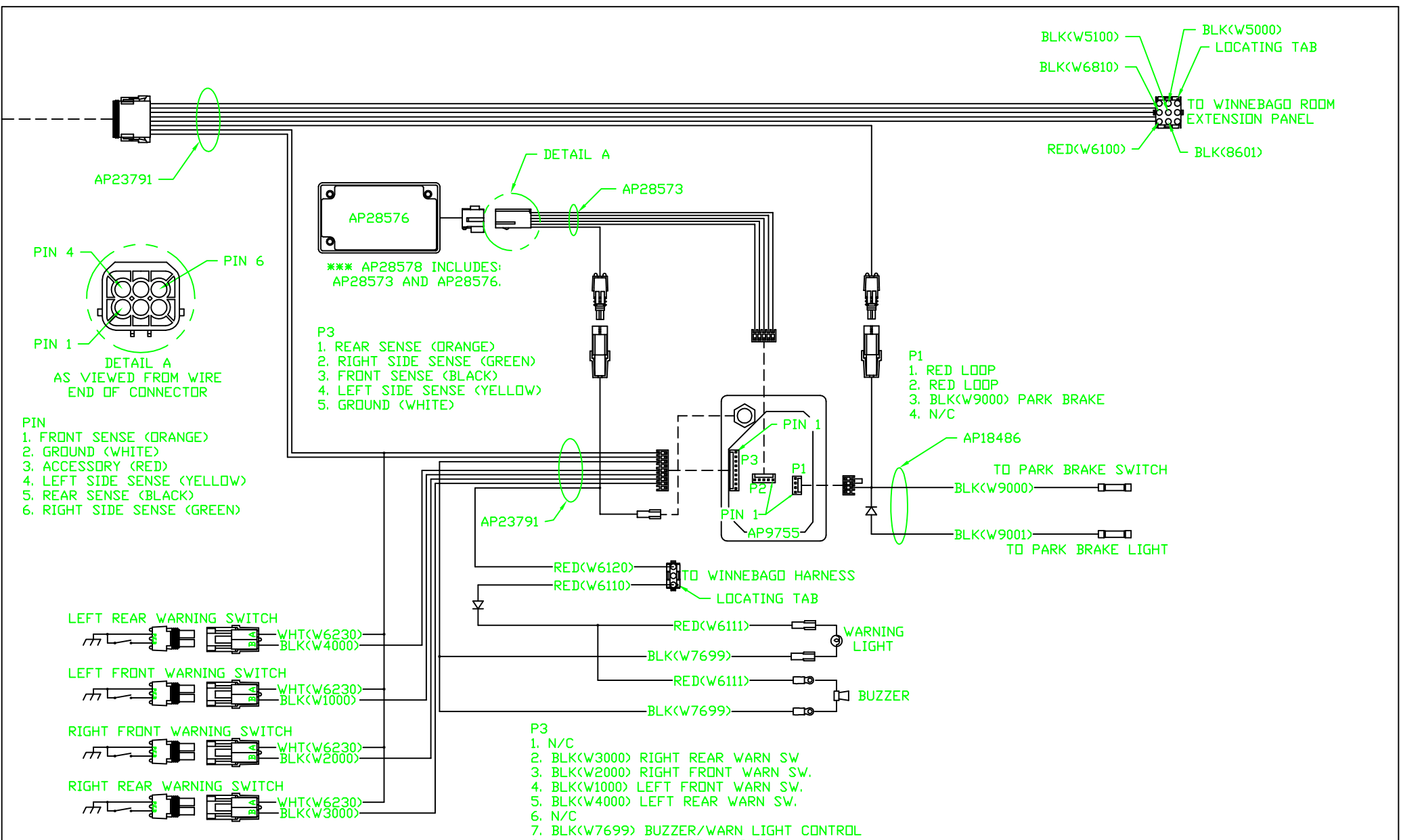


NOTE: INSTALLATION MUST CONFORM TO GOOD SHOP PRACTICES, SAE STANDARDS, RVIA STANDARDS, AND OTHER APPLICABLE STANDARDS.

		HWH		I-80 EXIT 267 SOUTH RT 1 MOSCOW, IOWA 52760	
		SCALE 1:3	DATE 28JUL05	DRAWN BY .	
1		27NOV07		ADDED INSTALLATION NOTE	
NO.	DATE	REVISION			
SYSTEM SCHEMATIC ELEC					
THE INFORMATION DISCLOSED ON THIS DRAWING IS CONFIDENTIAL AND MUST NOT BE DISCLOSED OR USED IN ANY MANNER WHICH WILL BE DETRIMENTAL TO THE HWH CORPORATION				DRAWING NUMBER MP89468 A/B	



- PIN
1. FRONT SENSE (ORANGE)
 2. GROUND (WHITE)
 3. ACCESSORY (RED)
 4. LEFT SIDE SENSE (YELLOW)
 5. REAR SENSE (BLACK)
 6. RIGHT SIDE SENSE (GREEN)

*** AP28578 INCLUDES:
AP28573 AND AP28576.

- P3
1. REAR SENSE (ORANGE)
 2. RIGHT SIDE SENSE (GREEN)
 3. FRONT SENSE (BLACK)
 4. LEFT SIDE SENSE (YELLOW)
 5. GROUND (WHITE)

- P1
1. RED LOOP
 2. RED LOOP
 3. BLK<W9000> PARK BRAKE
 4. N/C

- P3
1. N/C
 2. BLK<W3000> RIGHT REAR WARN SW
 3. BLK<W2000> RIGHT FRONT WARN SW.
 4. BLK<W1000> LEFT FRONT WARN SW.
 5. BLK<W4000> LEFT REAR WARN SW.
 6. N/C
 7. BLK<W7699> BUZZER/WARN LIGHT CONTROL
 8. BLK<W6820> PUMP RELAY SUPPLY
 9. WHT<W6230> GROUND

NOTE: INSTALLATION MUST CONFORM TO GOOD SHOP PRACTICES, SAE STANDARDS, RVIA STANDARDS, AND OTHER APPLICABLE STANDARDS.