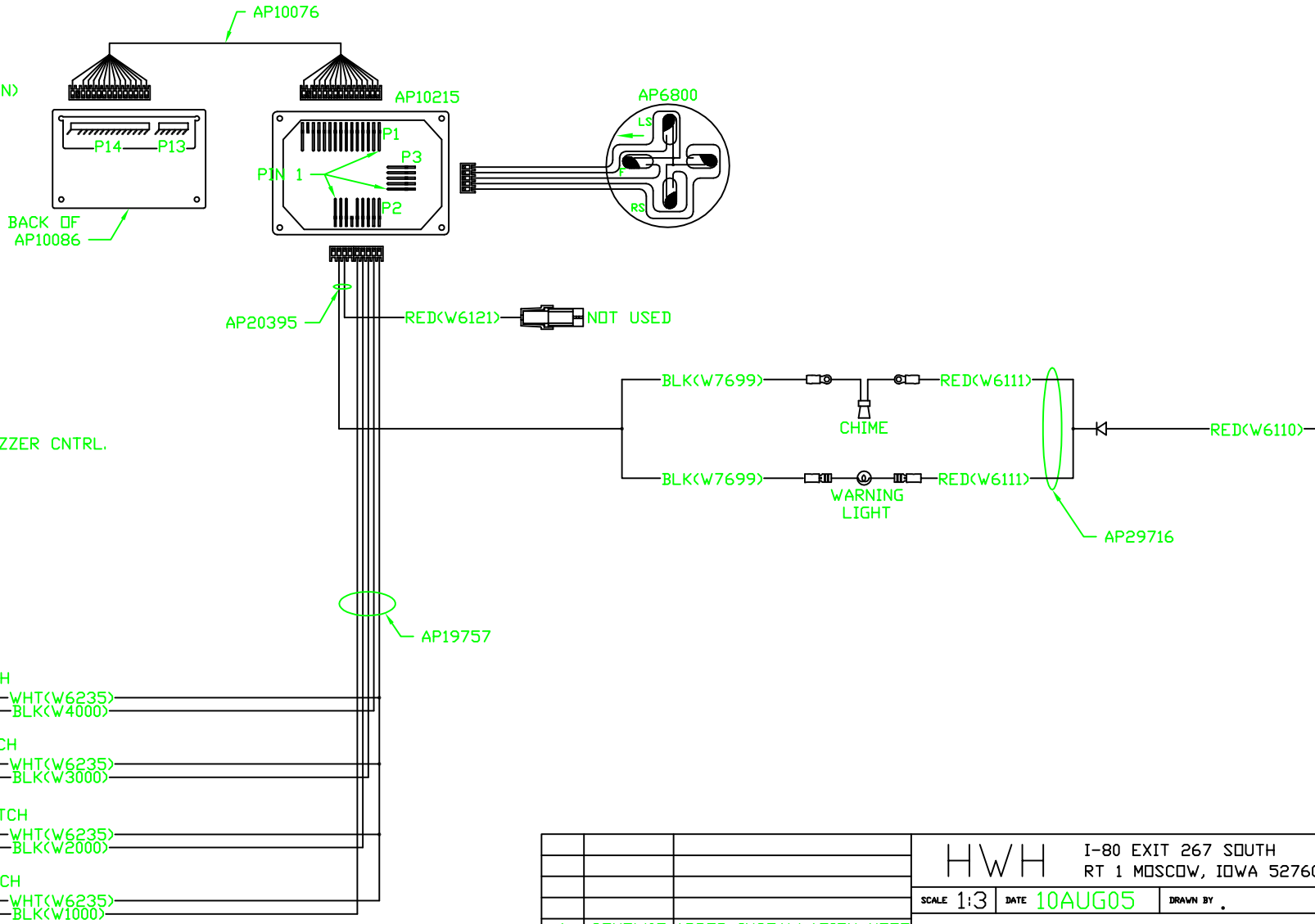
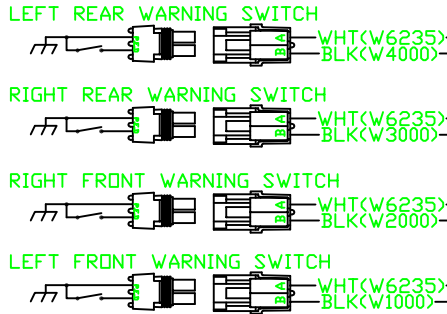


- P14 - P1
- 1) BLUE (WARN SENSE)
  - 2) BROWN (SERIES)
  - 3) GRAY (SW. ACC.)
  - 4) PURPLE (FUSED ACC.)
  - 5) BLACK/WHITE (STORE RETURN)
  - 6) BLACK (PARK BRAKE)
  - 7) WHITE/BLACK (GND)
  - 8) WHITE (DUMP)
  - 9) ORANGE/BLACK (STORE)
  - 10) ORANGE (PUMP)
  - 11) GREEN (LF)
  - 12) GREEN/BLACK (LR)
  - 13) RED/BLACK (RR)
  - 14) NC (KEYING PIN)
  - 15) RED (RF)

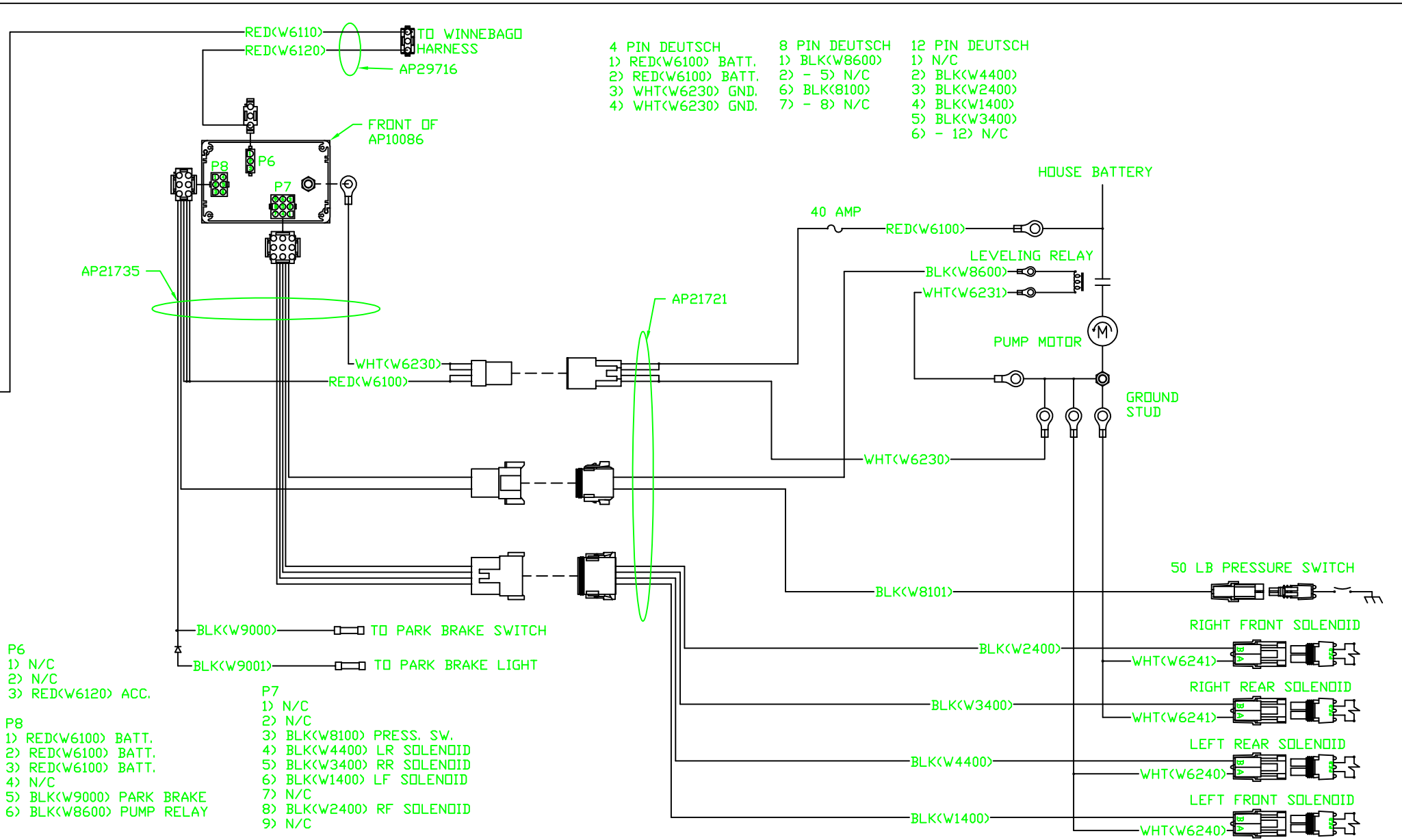
- P2
- 1) WHT(W6235) GND
  - 2) BLK(W1000) LF WARN
  - 3) BLK(W2000) RF WARN
  - 4) BLK(W3000) RR WARN
  - 5) BLK(W4000) LR WARN
  - 6) N/C (KEY PIN)
  - 7) RED(W6121) IGN.
  - 8) BLK(W7699) WARN LIGHT/BUZZER CNTRL.
  - 9) N/C

- P3
- 1) RED (REAR SENSE)
  - 2) GREEN (RIGHT SENSE)
  - 3) BLACK (FRONT SENSE)
  - 4) YELLOW (LEFT SENSE)
  - 5) WHITE (GROUND)



NOTE: INSTALLATION MUST CONFORM TO GOOD SHOP PRACTICES, SAE STANDARDS, RVIA STANDARDS, AND OTHER APPLICABLE STANDARDS.

		HWH		I-80 EXIT 267 SOUTH RT 1 MOSCOW, IOWA 52760	
		SCALE 1:3	DATE 10AUG05	DRAWN BY .	
		SYSTEM SCHEMATIC ELEC			
1	27NOV07	ADDED INSTALLATION NOTE			
NO.	DATE	REVISION			
THE INFORMATION DISCLOSED ON THIS DRAWING IS CONFIDENTIAL AND MUST NOT BE DISCLOSED OR USED IN ANY MANNER WHICH WILL BE DETRIMENTAL TO THE HWH CORPORATION					
					DRAWING NUMBER MP89469 A/B



NOTE: INSTALLATION MUST CONFORM TO GOOD SHOP PRACTICES, SAE STANDARDS, RVIA STANDARDS, AND OTHER APPLICABLE STANDARDS.