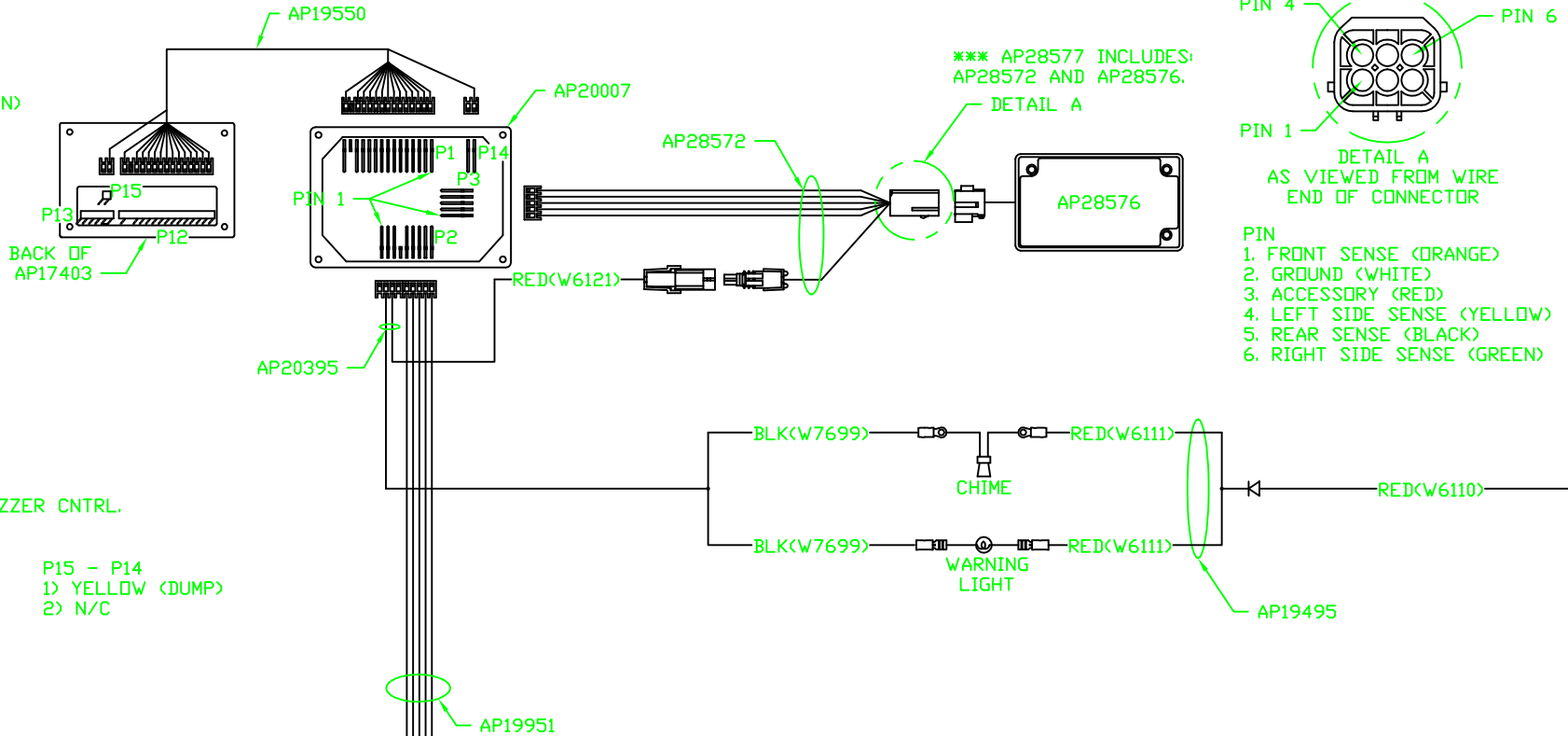
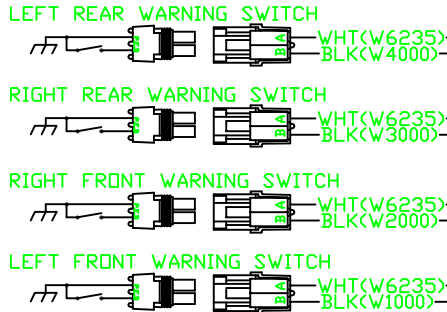


- P15 - P1
- 1) BLUE (WARN SENSE)
  - 2) BROWN (SERIES)
  - 3) GRAY (SW. ACC.)
  - 4) PURPLE (FUSED ACC.)
  - 5) BLACK/WHITE (STORE RETURN)
  - 6) BLACK (PARK BRAKE)
  - 7) WHITE/BLACK (GND)
  - 8) WHITE (DUMP)
  - 9) ORANGE/BLACK (STORE)
  - 10) ORANGE (PUMP)
  - 11) GREEN (LF)
  - 12) GREEN/BLACK (LR)
  - 13) RED/BLACK (RR)
  - 14) NC (KEYING PIN)
  - 15) RED (RF)

- P2
- 1) WHT(W6235) GND
  - 2) BLK(W1000) LF WARN
  - 3) BLK(W2000) RF WARN
  - 4) BLK(W3000) RR WARN
  - 5) BLK(W4000) LR WARN
  - 6) N/C (KEY PIN)
  - 7) RED(W6121) IGN.
  - 8) BLK(W7699) WARN LIGHT/BUZZER CNTRL.
  - 9) N/C

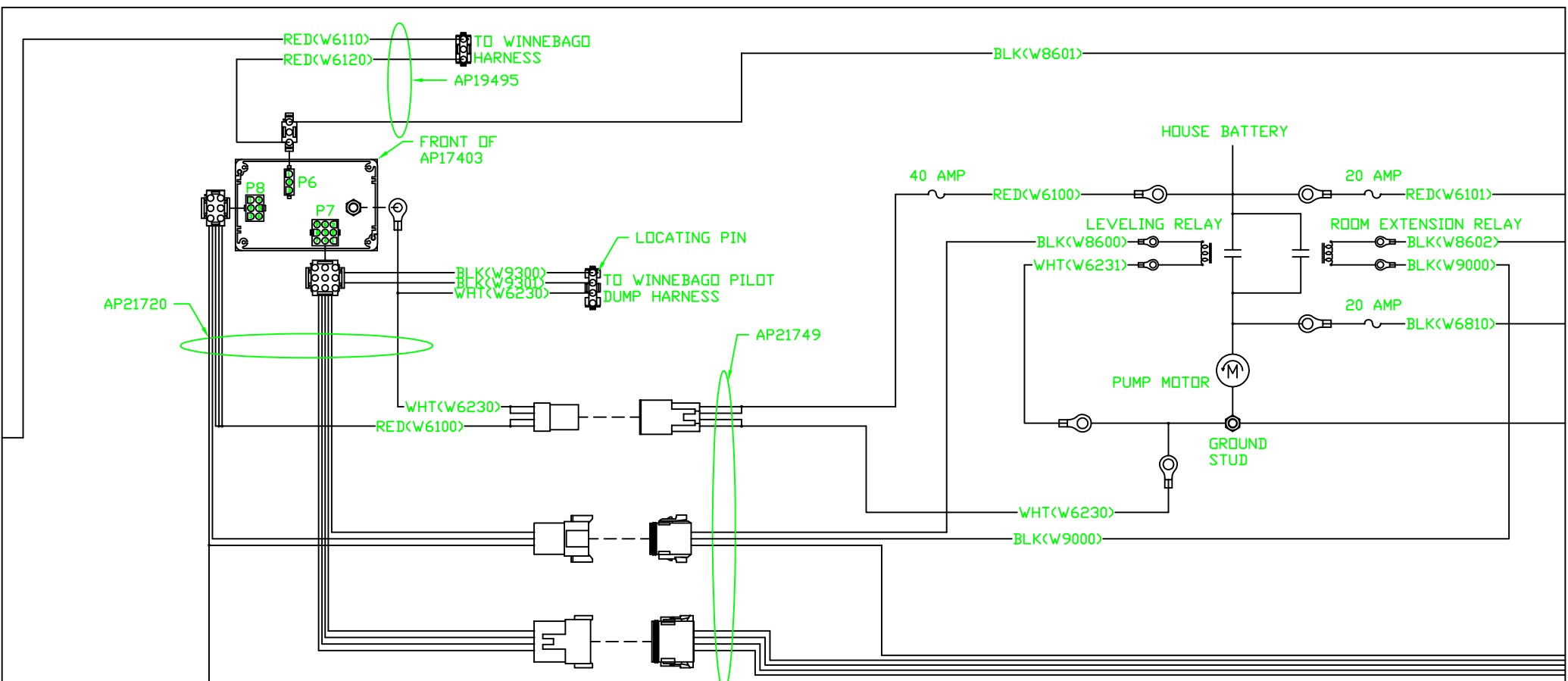
- P3
- 1) ORANGE (FRONT SENSE)
  - 2) GREEN (RIGHT SENSE)
  - 3) BLACK (REAR SENSE)
  - 4) YELLOW (LEFT SENSE)
  - 5) WHITE (GROUND)

- P15 - P14
- 1) YELLOW (DUMP)
  - 2) N/C



NOTE: INSTALLATION MUST CONFORM TO GOOD SHOP PRACTICES, SAE STANDARDS, RVIA STANDARDS, AND OTHER APPLICABLE STANDARDS.

|  |         | HWH                     |              | I-80 EXIT 267 SOUTH<br>RT 1 MOSCOW, IOWA 52760 |  |
|--|---------|-------------------------|--------------|--|--|
|  |         | SCALE 1:3               | DATE 10AUG05 | DRAWN BY .                                     |  |
| 1  | 27NOV07 | ADDED INSTALLATION NOTE |              | SYSTEM SCHEMATIC ELEC                          |  |
| NO.  | DATE    | REVISION                |              |  |  |
| THE INFORMATION DISCLOSED ON THIS DRAWING IS CONFIDENTIAL AND MUST NOT BE DISCLOSED OR USED IN ANY MANNER WHICH WILL BE DETRIMENTAL TO THE HWH CORPORATION |         |                         |              |  |  |
|  |         |                         |              | DRAWING NUMBER<br>MP89470 A/C                  |  |



- P6**  
 1) BLK<W8601> JACK INT.  
 2) N/C  
 3) RED<W6120> ACC.

- P8**  
 1) RED<W6100> BATT.  
 2) RED<W6100> BATT.  
 3) RED<W6100> BATT.  
 4) N/C  
 5) BLK<W9000> PARK BRAKE  
 6) BLK<W8600> PUMP RELAY

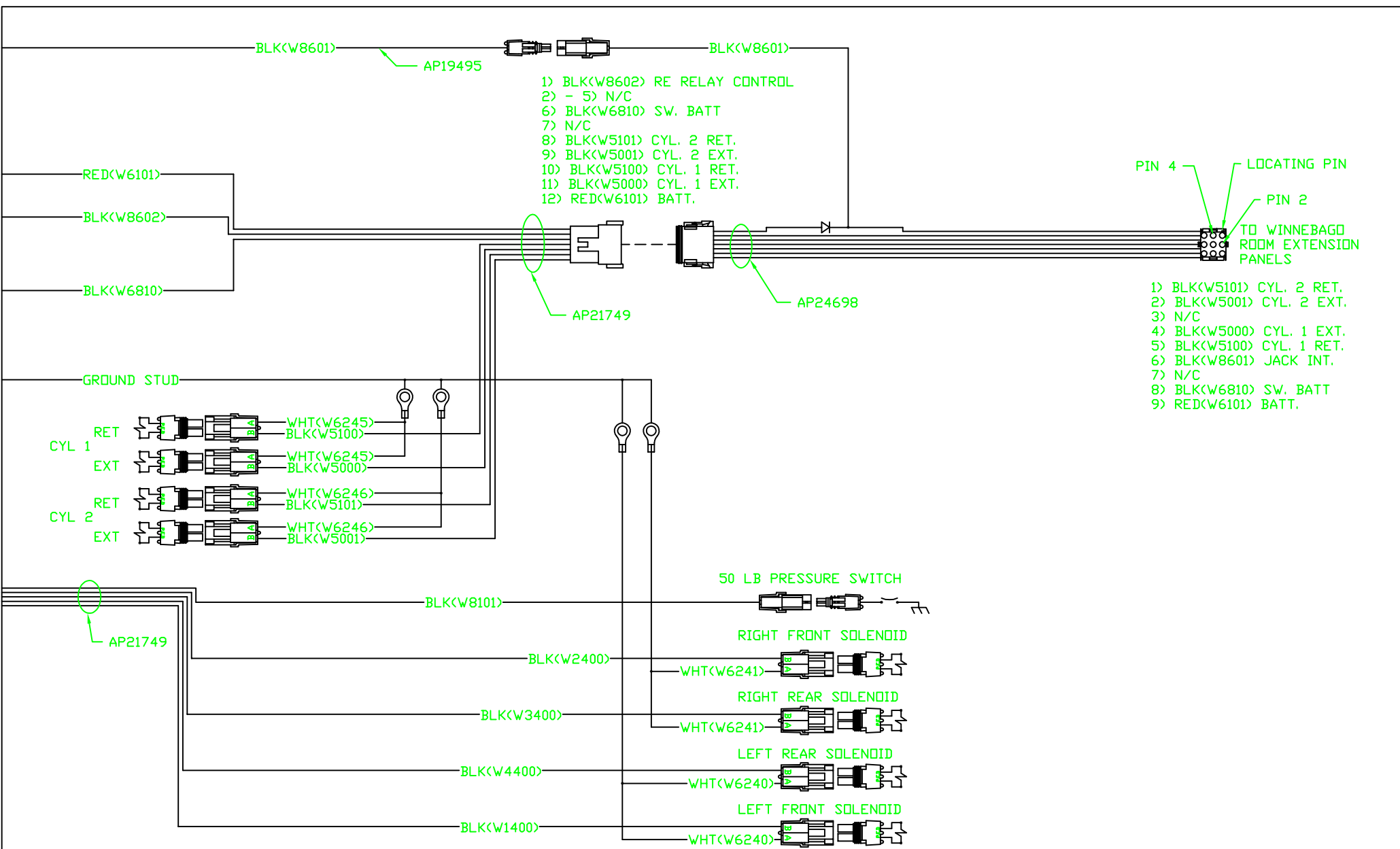
- P7**  
 1) N/C  
 2) N/C  
 3) BLK<W8100> PRESS. SW.  
 4) BLK<W4400> LR SOLENOID  
 5) BLK<W3400> RR SOLENOID  
 6) BLK<W1400> LF SOLENOID  
 7) BLK<W9301> TRAVEL  
 8) BLK<W2400> RF SOLENOID  
 9) BLK<W9300> DUMP

- 4 PIN DEUTSCH**  
 1) RED<W6100> BATT.  
 2) RED<W6100> BATT.  
 3) WHT<W6230> GND.  
 4) WHT<W6230> GND.

- 8 PIN DEUTSCH**  
 1) BLK<W8600>  
 2) - 5) N/C  
 6) BLK<8100>  
 7) BLK<9000>  
 8) N/C

- 12 PIN DEUTSCH**  
 1) N/C  
 2) BLK<W4400>  
 3) BLK<W2400>  
 4) BLK<W1400>  
 5) BLK<W3400>  
 6) - 12) N/C

NOTE: INSTALLATION MUST CONFORM TO GOOD SHOP PRACTICES, SAE STANDARDS, RVIA STANDARDS, AND OTHER APPLICABLE STANDARDS.



NOTE: INSTALLATION MUST CONFORM TO GOOD SHOP PRACTICES, SAE STANDARDS, RVIA STANDARDS, AND OTHER APPLICABLE STANDARDS.