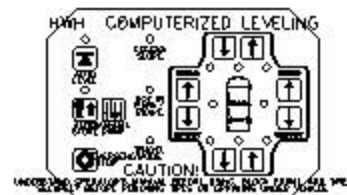
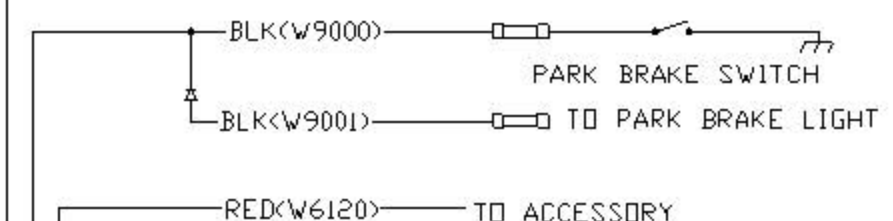
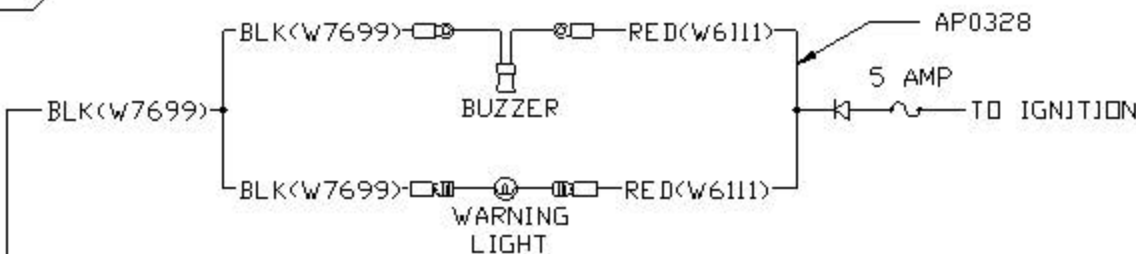
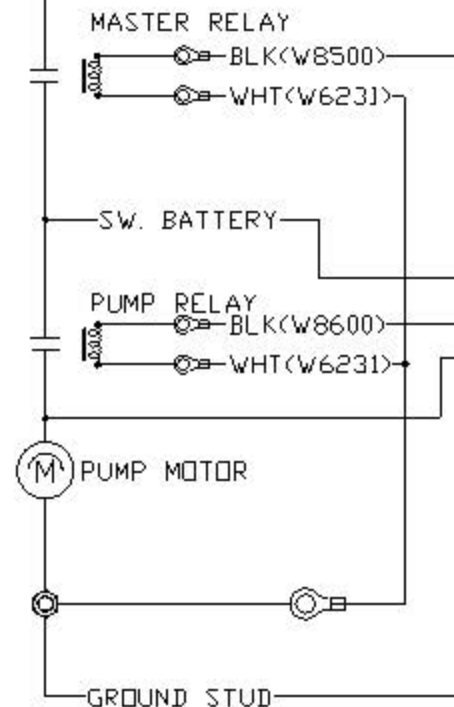


- PIN
1. YELLOW CAN HIGH
 2. GREEN CAN LOW
 3. CAN SHIELD
 4. WHT(W6230) GROUND
 5. RED(W6800) SW. BATTERY

- PIN
1. YELLOW CAN HIGH
 2. GREEN CAN LOW
 3. CAN SHIELD
 4. WHT(W6230) GROUND
 5. RED(W6800) SW. BATTERY

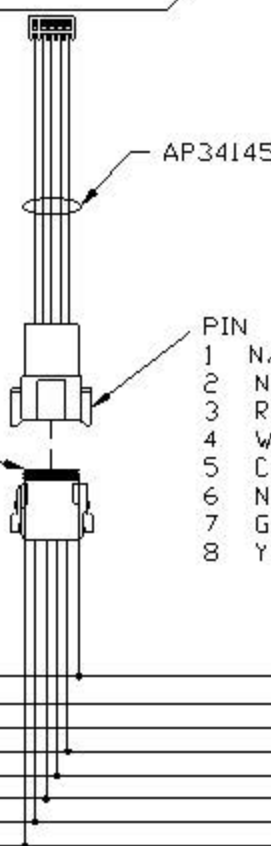


HOUSE BATTERY



- PIN
- 1 N/C
 - N/C
 - RED(W6800) SW. BATTERY
 - WHT(W6230) GROUND
 - CAN SHIELD
 - RED(W6120) ACCESSORY
 - GRN CAN LOW
 - YEL CAN HI

- PIN
- 1 N/C
 - N/C
 - RED(W6800) SW. BATTERY
 - WHT(W6230) GROUND
 - CAN SHIELD
 - N/C
 - GRN CAN LOW
 - YEL CAN HI



120 OHM TERMINATION RESISTOR

AP37469

| NO. | DATE | REVISION |
|-----|---------|------------------------|
| 2 | 21MAR07 | COMPRESSOR WAS AP37528 |
| 2 | 21MAR07 | AD'D SHEET *H*, NOTE |
| 1 | 03NOV06 | AD'D PILOT DUMP LEG |

HW H I-80 EXIT 267 SOUTH
RT J MOSCOW, IOWA 52760

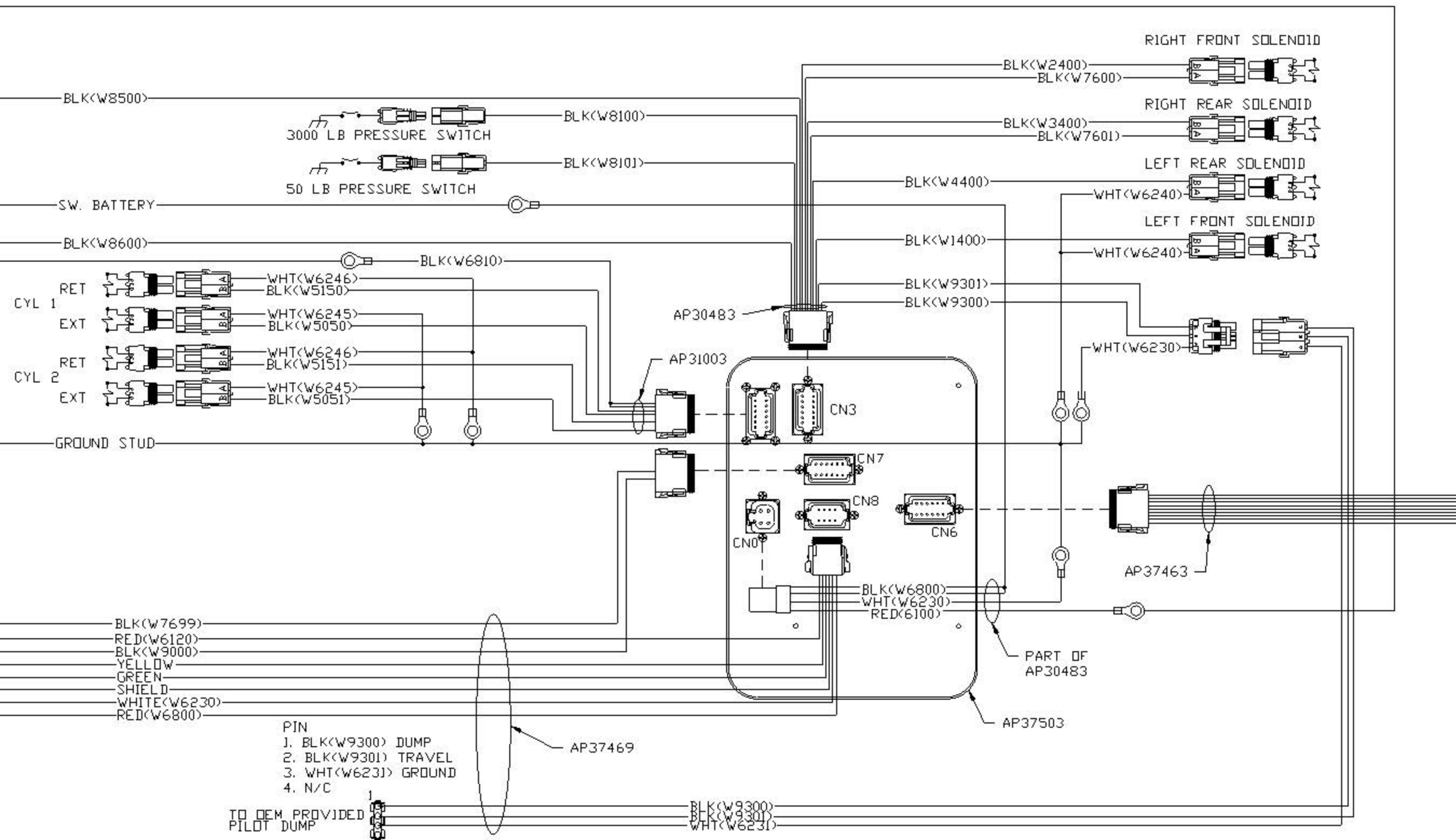
SCALE 1:3 DATE 14FEB06 DRAWN BY .

SYSTEM SCHEMATIC ELEC

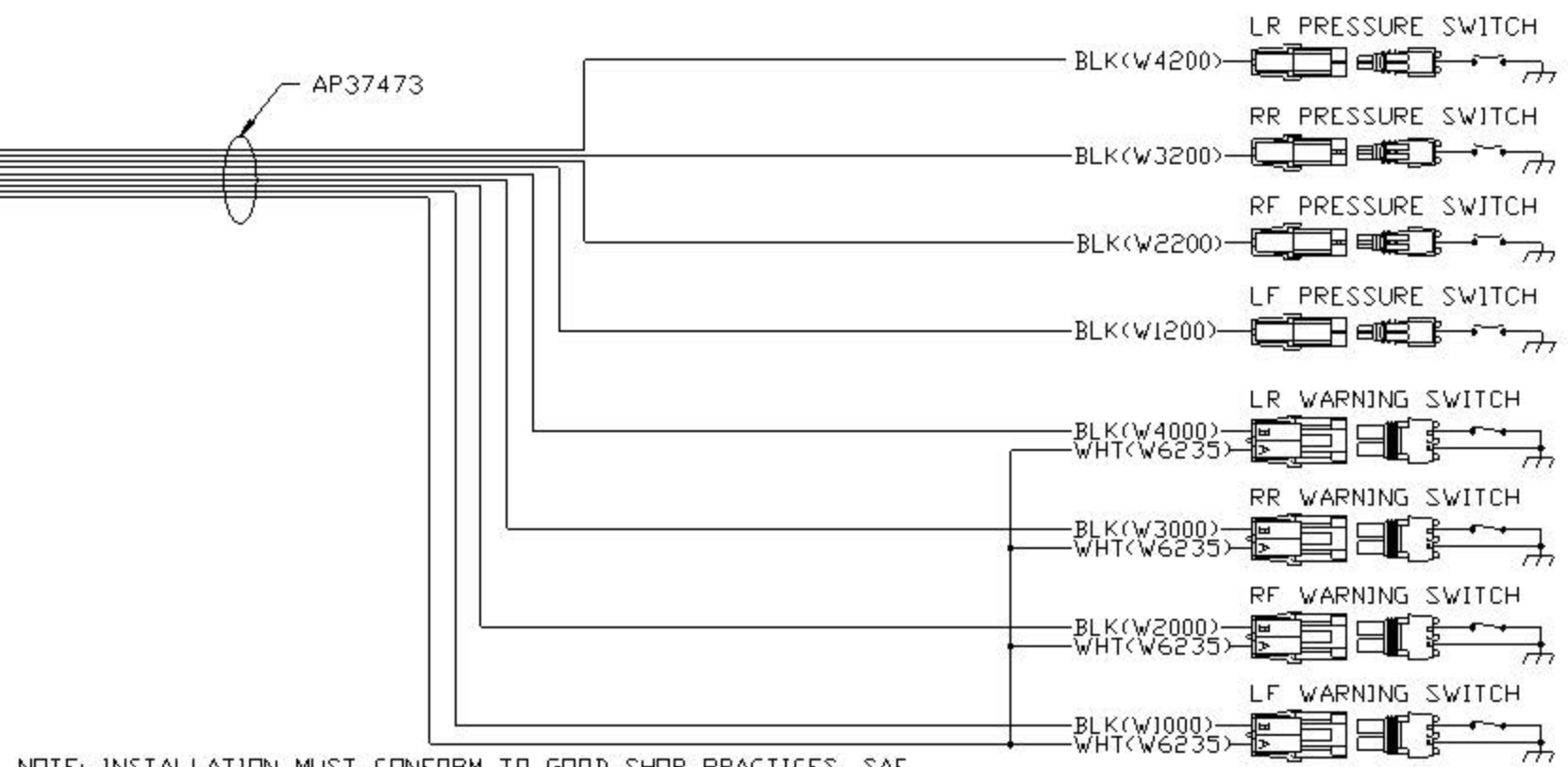
THE INFORMATION DISCLOSED ON THIS DRAWING IS CONFIDENTIAL AND MUST NOT BE DISCLOSED OR USED IN ANY MANNER WHICH WILL BE DETRIMENTAL TO THE HW H CORPORATION

DRAWING NUMBER
MP89611 A/H

NOTE: INSTALLATION MUST CONFORM TO GOOD SHOP PRACTICES, SAE STANDARDS, RV1A STANDARDS, AND OTHER APPLICABLE STANDARDS.



NOTE: INSTALLATION MUST CONFORM TO GOOD SHOP PRACTICES, SAE STANDARDS, RV1A STANDARDS, AND OTHER APPLICABLE STANDARDS.



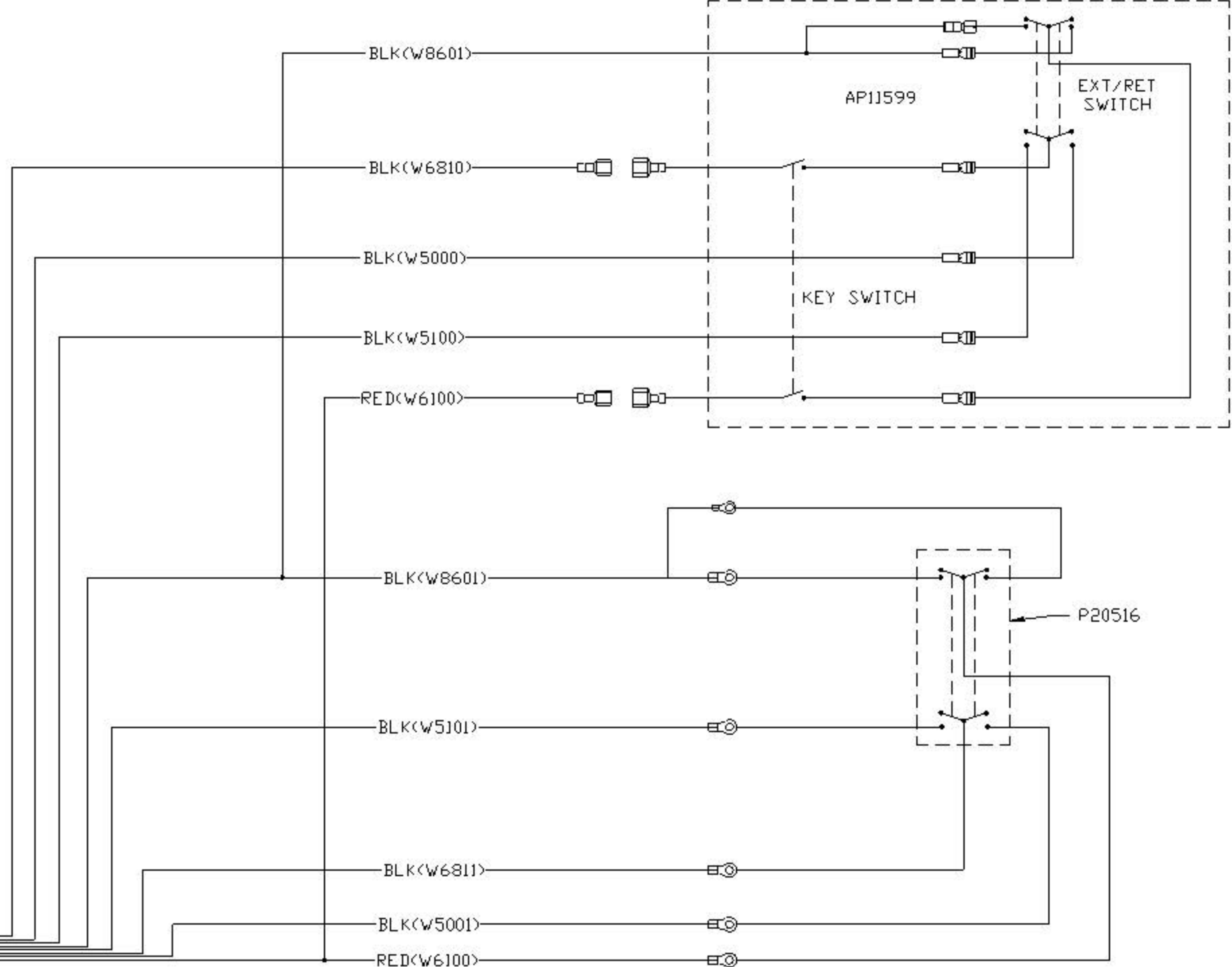
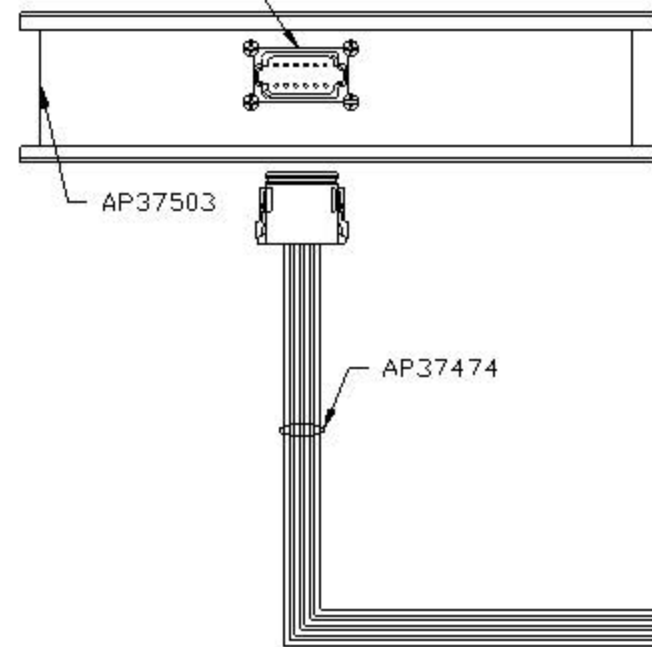
NOTE: INSTALLATION MUST CONFORM TO GOOD SHOP PRACTICES, SAE STANDARDS, RV1A STANDARDS, AND OTHER APPLICABLE STANDARDS.

NOTE: WIRE NUMBERS ON THIS SHEET ARE REFERENCED TO HARNESS PLUGS.

NOTE: SEE MP8961J E FOR ALTERNATE PANEL CONNECTION.

BLACK 12 PIN

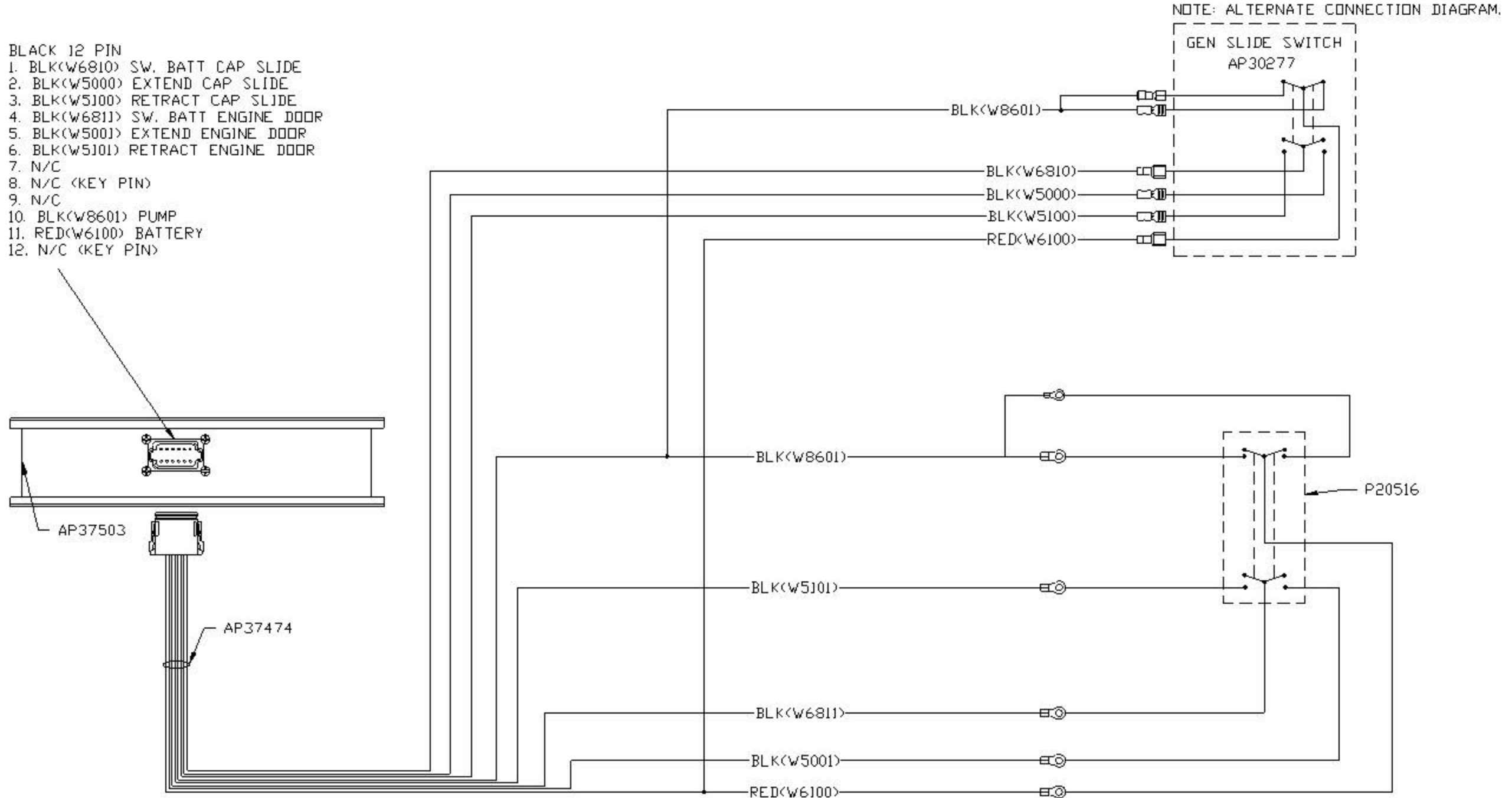
1. BLK(W6810) SW. BATT CAP SLIDE
2. BLK(W5000) EXTEND CAP SLIDE
3. BLK(W5100) RETRACT CAP SLIDE
4. BLK(W6811) SW. BATT ENGINE DOOR
5. BLK(W5001) EXTEND ENGINE DOOR
6. BLK(W5101) RETRACT ENGINE DOOR
7. N/C
8. N/C (KEY PIN)
9. N/C
10. BLK(W8601) PUMP
11. RED(W6100) BATTERY
12. N/C (KEY PIN)



NOTE: INSTALLATION MUST CONFORM TO GOOD SHOP PRACTICES, SAE STANDARDS, RV1A STANDARDS, AND OTHER APPLICABLE STANDARDS.

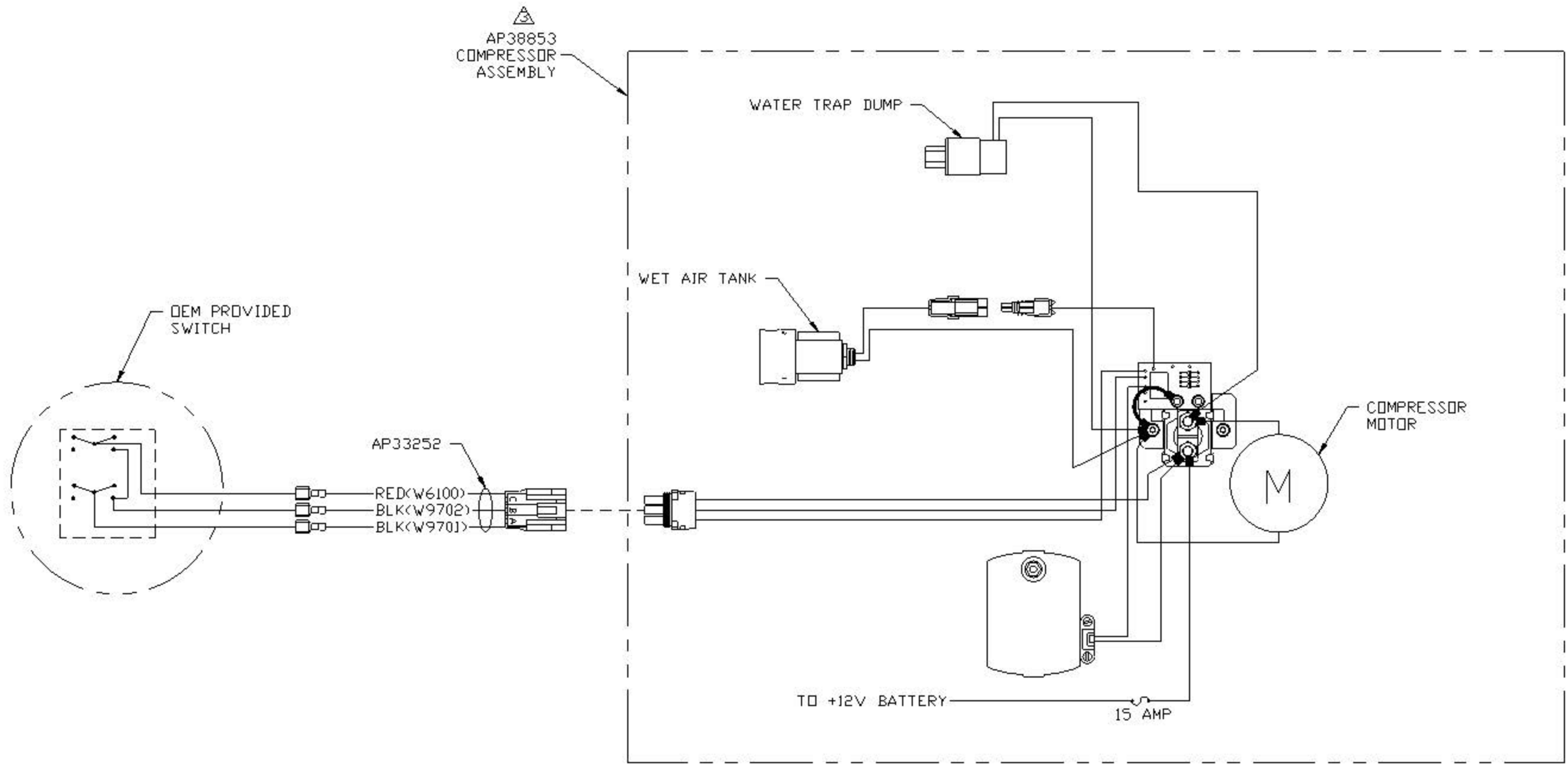
NOTE: WIRE NUMBERS ON THIS SHEET ARE REFERENCED TO HARNESS PLUGS.

- BLACK 12 PIN
1. BLK(W6810) SW. BATT CAP SLIDE
2. BLK(W5000) EXTEND CAP SLIDE
3. BLK(W5100) RETRACT CAP SLIDE
4. BLK(W6811) SW. BATT ENGINE DOOR
5. BLK(W5001) EXTEND ENGINE DOOR
6. BLK(W5101) RETRACT ENGINE DOOR
7. N/C
8. N/C (KEY PIN)
9. N/C
10. BLK(W8601) PUMP
11. RED(W6100) BATTERY
12. N/C (KEY PIN)



NOTE: ALTERNATE CONNECTION DIAGRAM.

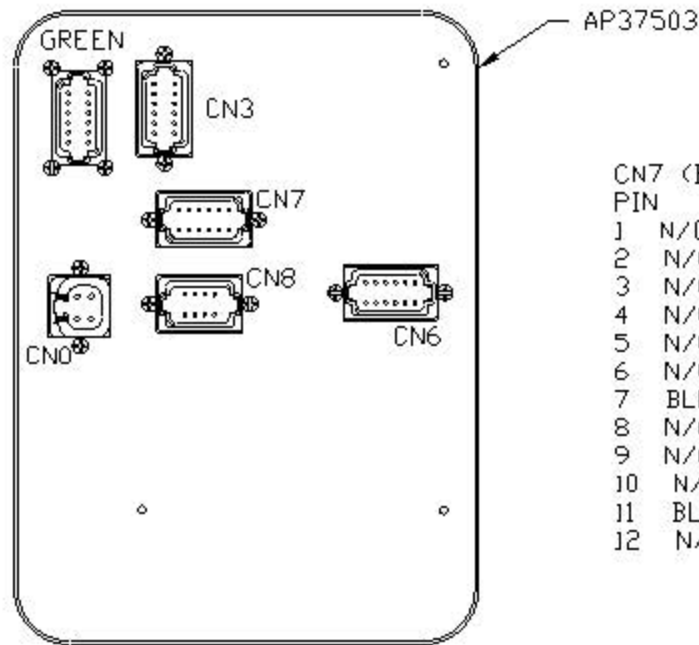
NOTE: INSTALLATION MUST CONFORM TO GOOD SHOP PRACTICES, SAE STANDARDS, RV1A STANDARDS, AND OTHER APPLICABLE STANDARDS.



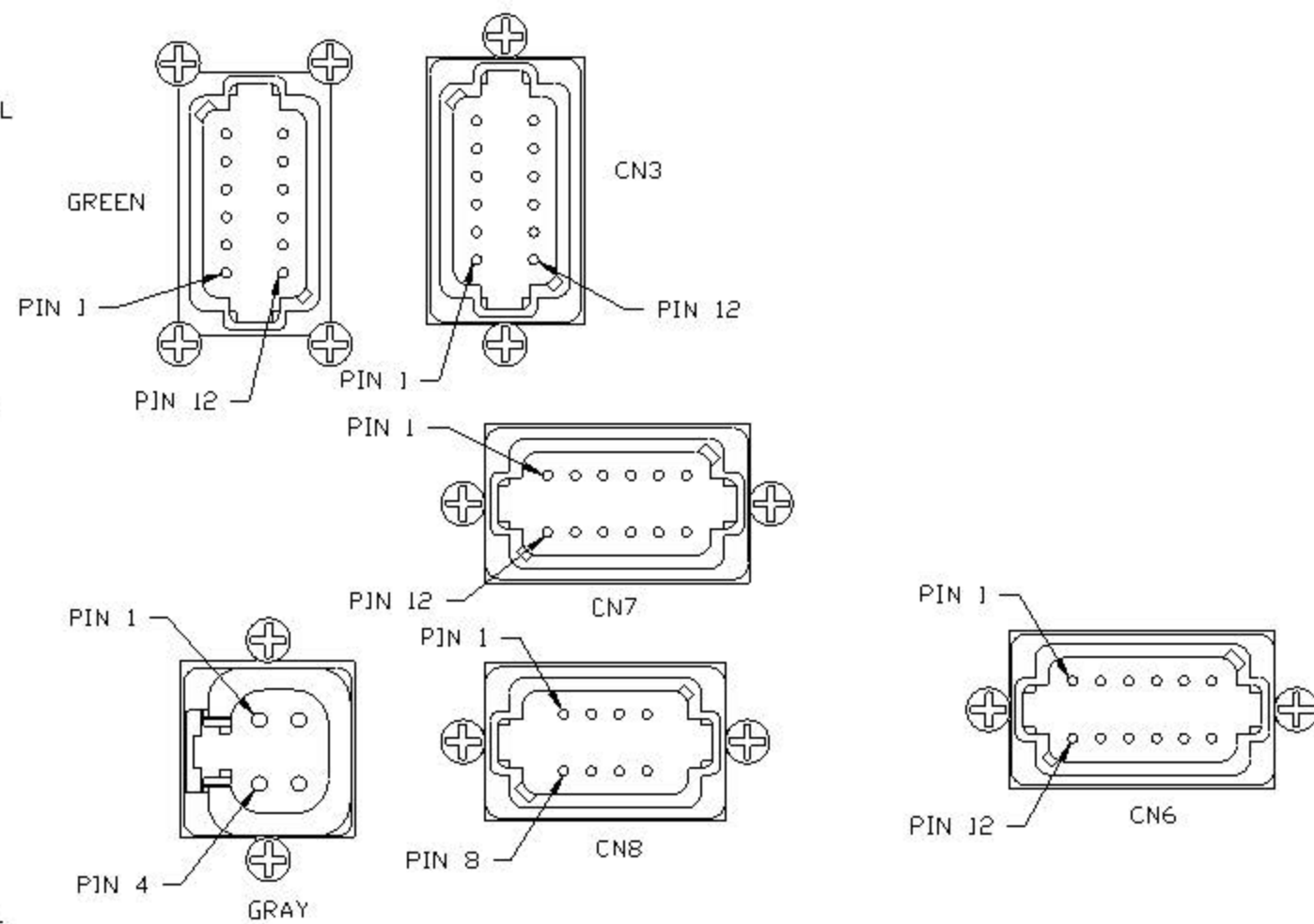
NOTE: INSTALLATION MUST CONFORM TO GOOD SHOP PRACTICES, SAE STANDARDS, RV1A STANDARDS, AND OTHER APPLICABLE STANDARDS.

- GREEN
PIN
1. BLK(W5050) CYL EXT. ROOM 1
 2. BLK(W5150) CYL RET. ROOM 1
 3. BLK(W5051) CYL EXT. ROOM 2
 4. BLK(W5151) CYL RET. ROOM 2
 5. N/C
 6. N/C
 7. N/C
 8. N/C
 9. N/C
 10. N/C
 11. BLK(W6810) SW. BATTERY
 12. BLK(W6810) SW. BATTERY

- CN3 (BROWN)
PIN
1. BLK(W8500) MASTER RELAY CONTROL
 2. BLK(W8100) 3000 LB PRESS SW
 3. BLK(W8101) 50 LB PRESS SW
 4. BLK(W9301) TRAVEL
 5. BLK(W1400) LF SOLENOID
 6. BLK(W7600) CRX 1
 7. BLK(W7601) CRX 2
 8. BLK(W4400) LR SOLENOID
 9. BLK(W3400) RR SOLENOID
 10. BLK(W2400) RF SOLENOID
 11. BLK(W9300) DUMP
 12. BLK(W8600) PUMP RELAY CONTROL



- CN7 (BLACK)
PIN
1. N/C
 2. N/C
 3. N/C
 4. N/C
 5. N/C
 6. N/C
 7. BLK(W9000) PARK BRAKE
 8. N/C
 9. N/C
 10. N/C
 11. BLK(W7699) WARN/BUZZER CONTROL
 12. N/C



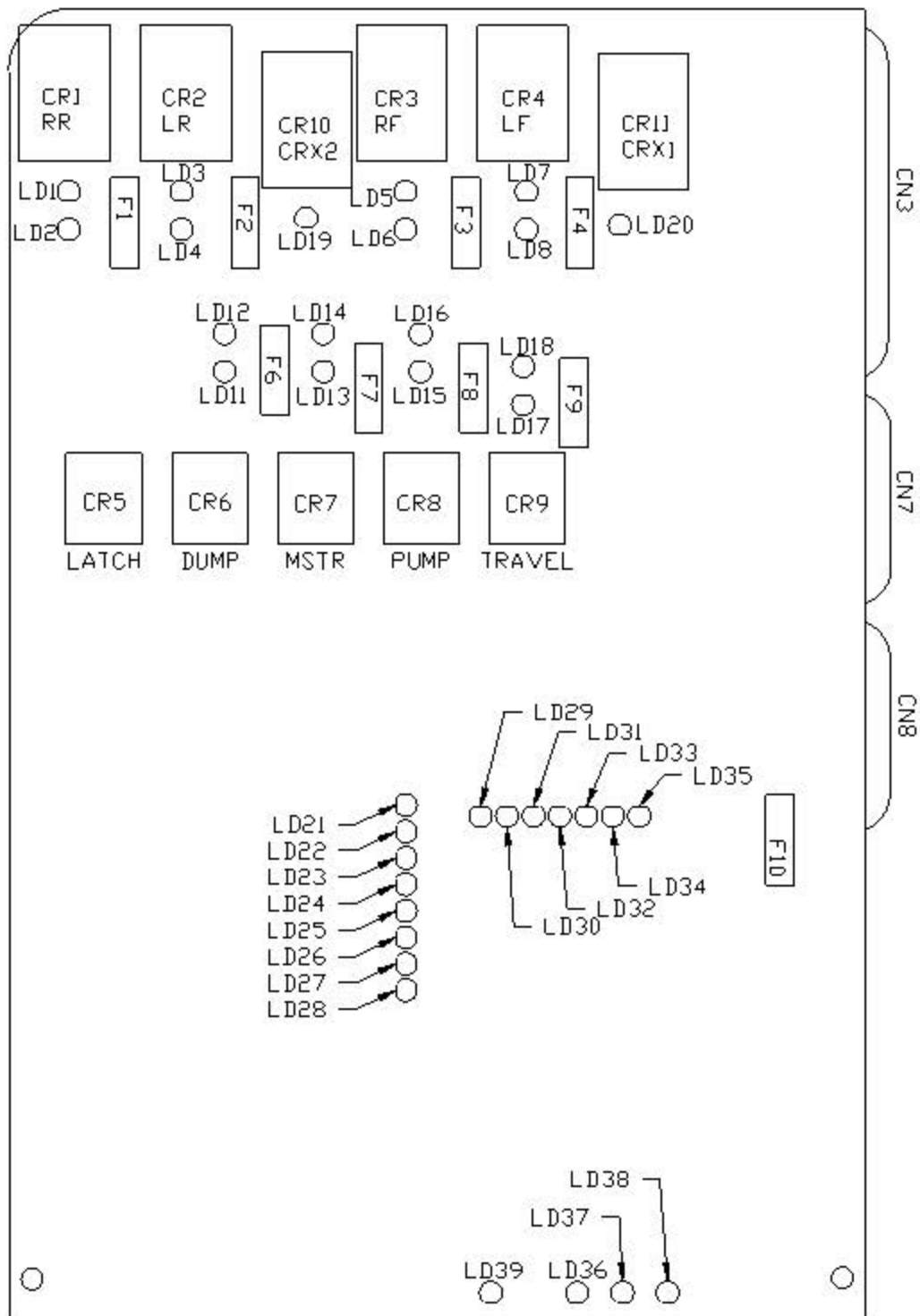
NOTE: WIRE NUMBERS ON THIS SHEET ARE REFERENCED TO HARNESS PLUGS.

- CN0 (GRAY)
PIN
1. BLK(W6800) SW BATT
 2. BLK(W6800) SW BATT
 3. WHT(W6230) GROUND
 4. RED(W6100) BATT

- CN8 (BLACK)
PIN
1. N/C
 2. N/C
 3. RED(W6800) SW BATT
 4. WHT(W6230) GROUND
 5. CAN SHIELD
 6. RED(W6120) ACCESSORY
 7. GREEN
 8. YELLOW

- CN6 (GRAY)
PIN
1. N/C
 2. N/C
 3. BLK(W1000) LF WARN SW
 4. BLK(W2000) RF WARN SW
 5. BLK(W1200) LF PRESS SW
 6. BLK(W2200) RF PRESS SW
 7. BLK(W3200) RR PRESS SW
 8. BLK(W4200) LR PRESS SW
 9. BLK(W3000) RR WARN SW
 10. BLK(W4000) LR WARN SW
 11. N/C
 12. WHT(W6235) GROUND

NOTE: INSTALLATION MUST CONFORM TO GOOD SHOP PRACTICES, SAE STANDARDS, RV1A STANDARDS, AND OTHER APPLICABLE STANDARDS.



| LED # | COLOR | DESCRIPTION |
|--------|--------|------------------------|
| LED 1 | YELLOW | RR COIL |
| LED 2 | RED | RR CONTACT |
| LED 3 | YELLOW | LR COIL |
| LED 4 | RED | LR CONTACT |
| LED 5 | YELLOW | RF COIL |
| LED 6 | RED | RF CONTACT |
| LED 7 | YELLOW | LF COIL |
| LED 8 | RED | LF CONTACT |
| LED 11 | YELLOW | DUMP COIL |
| LED 12 | RED | DUMP CONTACT |
| LED 13 | YELLOW | MASTER RELAY COIL |
| LED 14 | RED | MASTER RELAY CONTACT |
| LED 15 | YELLOW | PUMP COIL |
| LED 16 | RED | PUMP CONTACT |
| LED 17 | YELLOW | TRAVEL COIL |
| LED 18 | RED | TRAVEL CONTACT |
| LED 19 | YELLOW | CRX 2 |
| LED 20 | YELLOW | CRX 1 |
| LED 21 | YELLOW | LF WARN SW |
| LED 22 | YELLOW | RF WARN SW |
| LED 23 | YELLOW | RR WARN SW |
| LED 24 | YELLOW | LR WARN SW |
| LED 25 | RED | LF PRESS SW |
| LED 26 | RED | RF PRESS SW |
| LED 27 | RED | RR PRESS SW |
| LED 28 | RED | LR PRESS SW |
| LED 29 | RED | NOT USED |
| LED 30 | YELLOW | NOT USED |
| LED 31 | GREEN | 3000 LB PSW INPUT |
| LED 32 | RED | MASTER WARNING CONTROL |
| LED 33 | GREEN | 50 LB PSW INPUT |
| LED 34 | RED | JACK INTERRUPT |
| LED 35 | RED | PARK BRAKE |
| LED 36 | RED | BOARD ENABLED |
| LED 37 | RED | ACCESSORY IN |
| LED 38 | RED | ACCESSORY OUT |
| LED 39 | RED | LJNK LIGHT |

| FUSE | RATING | DESCRIPTION |
|------|--------|---------------|
| F1 | 15 AMP | RR OUTPUT |
| F2 | 15 AMP | LR OUTPUT |
| F3 | 15 AMP | RF OUTPUT |
| F4 | 15 AMP | LF OUTPUT |
| F6 | 5 AMP | DUMP OUTPUT |
| F7 | 5 AMP | MASTER OUTPUT |
| F8 | 5 AMP | PUMP OUTPUT |
| F9 | 5 AMP | TRAVEL OUTPUT |
| F10 | 10 AMP | ACC INPUT |

NOTE: INSTALLATION MUST CONFORM TO GOOD SHOP PRACTICES, SAE STANDARDS, RV1A STANDARDS, AND OTHER APPLICABLE STANDARDS.