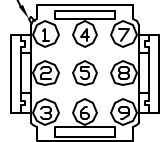
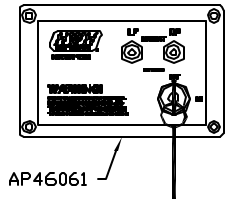


LOCATING PIN



DETAIL 'A'
TYPICAL

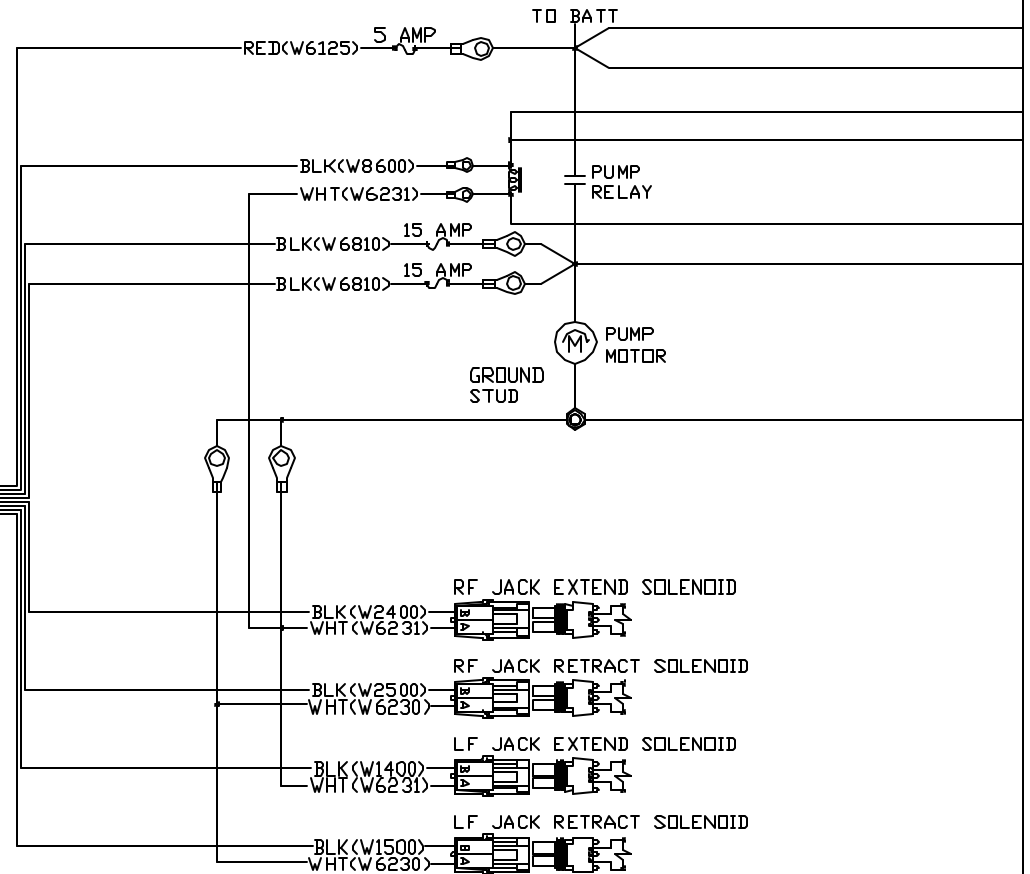
- PIN
1. N/C
 2. BLK(W8600) PUMP CONTROL
 3. RED(W6125) BATTERY
 4. BLK(W6810) SW. BATTERY
 5. BLK(W6810) SW. BATTERY
 6. BLK(W2400) RF JACK EXTEND
 7. BLK(W1400) LF JACK EXTEND
 8. BLK(W1500) LF JACK RETRACT
 9. BLK(W2500) RF JACK RETRACT



AP46061

DETAIL 'A'

AP43872



		HWH		I-80 EXIT 267 SOUTH RT 1 MOSCOW, IOWA 52760	
		SCALE 1:3	DATE 12FEB10	DRAWN BY .	
		SYSTEM SCHEMATIC ELEC			
NO.	DATE	REVISION			
		THE INFORMATION DISCLOSED ON THIS DRAWING IS CONFIDENTIAL AND MUST NOT BE DISCLOSED OR USED IN ANY MANNER WHICH WILL BE DETRIMENTAL TO THE HWH CORPORATION			
				DRAWING NUMBER MP90447 A/B	

NOTE: INSTALLATION MUST CONFORM TO GOOD SHOP PRACTICES, SAE STANDARDS, RVIA STANDARDS, AND OTHER APPLICABLE STANDARDS.

