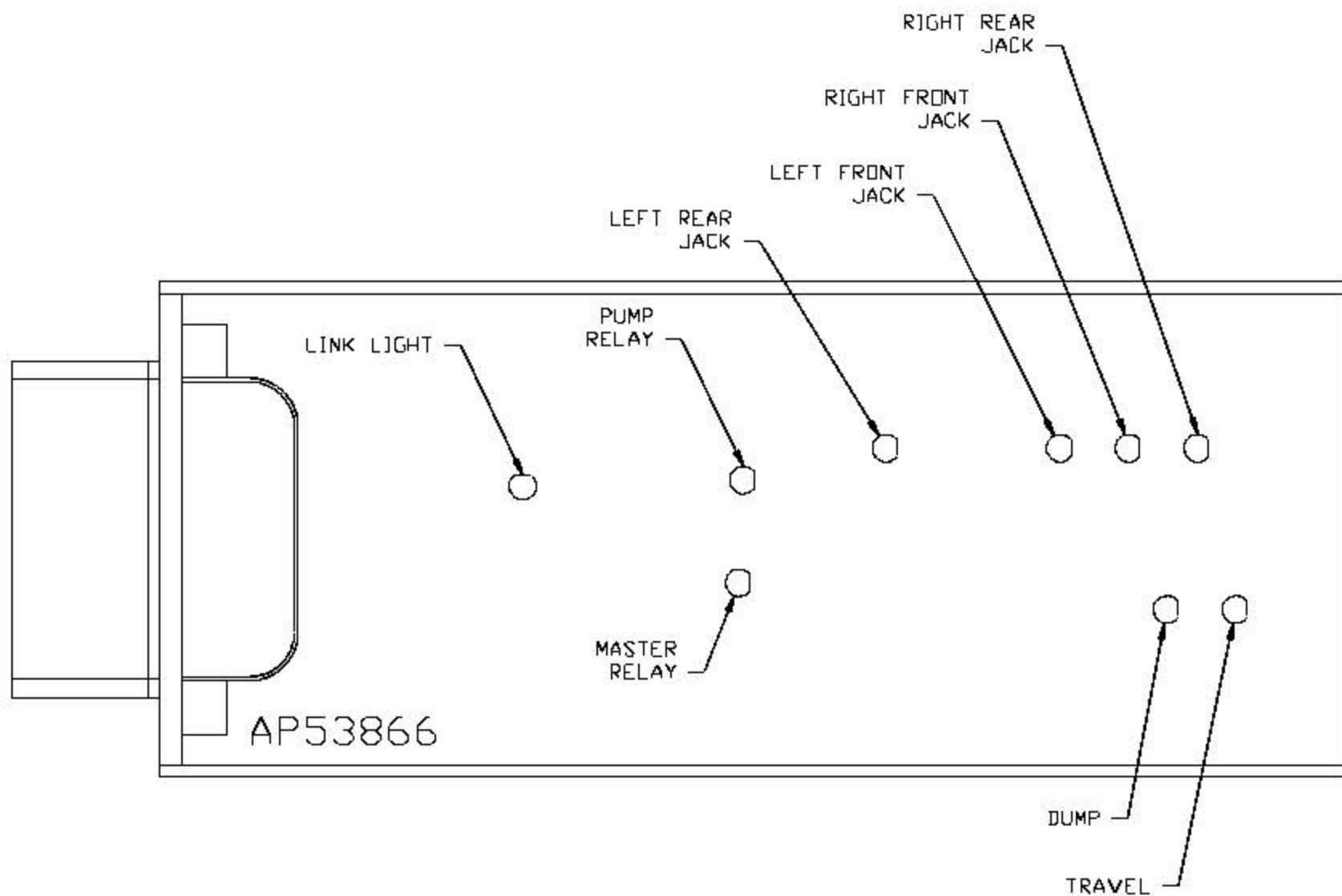


PIN

- A1. BLK(W7500) - SYSTEM LATCH
- A2. YELLOW - CAN HIGH
- A3. N/C
- A4. N/C
- A5. BLK(W2000) - RIGHT FRONT JACK WARNING SWITCH
- A6. BLK(W2200) - RIGHT FRONT JACK PRESSURE SWITCH
- A7. BLK(W3200) - RIGHT REAR JACK PRESSURE SWITCH
- A8. BLK(W8101) - 50 LB. PRESSURE SWITCH
- B1. RED(W6800) - TOUCH PANEL POWER
- B2. GREEN - CAN LOW
- B3. WHT(W6230) - TOUCH PANEL GROUND
- B4. N/C
- B5. BLK(W3000) - RIGHT REAR JACK WARNING SWITCH
- B6. BLK(W4200) - LEFT REAR JACK PRESSURE SWITCH
- B7. BLK(W8601) - GEN SLIDE PUMP REQUEST
- B8. BLK(W8100) - 3000 LB. PRESSURE SWITCH
- C1. RED(W6121) - LEVEL SENSOR POWER
- C2. CAN SHIELD
- C3. WHT(W6231) - LEVEL SENSOR GROUND
- C4. BLK(W0400) - REAR SENSE
- C5. BLK(W4000) - LEFT REAR WARNING SWITCH
- C6. N/C
- C7. N/C
- C8. BLK(W0300) - RIGHT SIDE SENSE
- D1. RED(W6120) - ACCESSORY
- D2. WHT(W6235) - WARNING SWITCH GROUND
- D3. N/C
- D4. BLK(W1000) - LEFT FRONT JACK WARNING SWITCH
- D5. BLK(W1200) - LEFT FRONT JACK PRESSURE SWITCH
- D6. BLK(W0100) - LEFT SIDE SENSE
- D7. BLK(W0200) - FRONT SENSE
- D8. BLK(W9000) - PARK BRAKE

NOTE: WIRE NUMBERS ON THIS SHEET ARE REFERENCED TO HARNESS PLUGS.



NO.	DATE	REVISION
1	14MAY15	ADDED HARNESS PART #'S

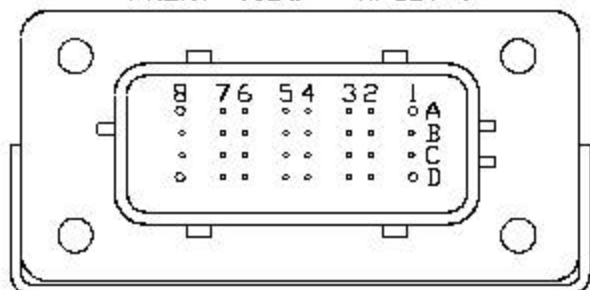
<p><b>HWH</b> I-80 EXIT 267 SOUTH RT 1 MOSCOW, IOWA 52760</p>		
SCALE 1:3	DATE 25FEB15	DRAWN BY .
<p><b>SYSTEM SCHEMATIC ELEC</b></p>		

THE INFORMATION DISCLOSED ON THIS DRAWING IS CONFIDENTIAL AND MUST NOT BE DISCLOSED OR USED IN ANY MANNER WHICH WILL BE DETRIMENTAL TO THE HWH CORPORATION

DRAWING NUMBER  
MP91114 A/E

NOTE: INSTALLATION MUST CONFORM TO GOOD SHOP PRACTICES, SAE STANDARDS, RVIA STANDARDS, AND OTHER APPLICABLE STANDARDS.

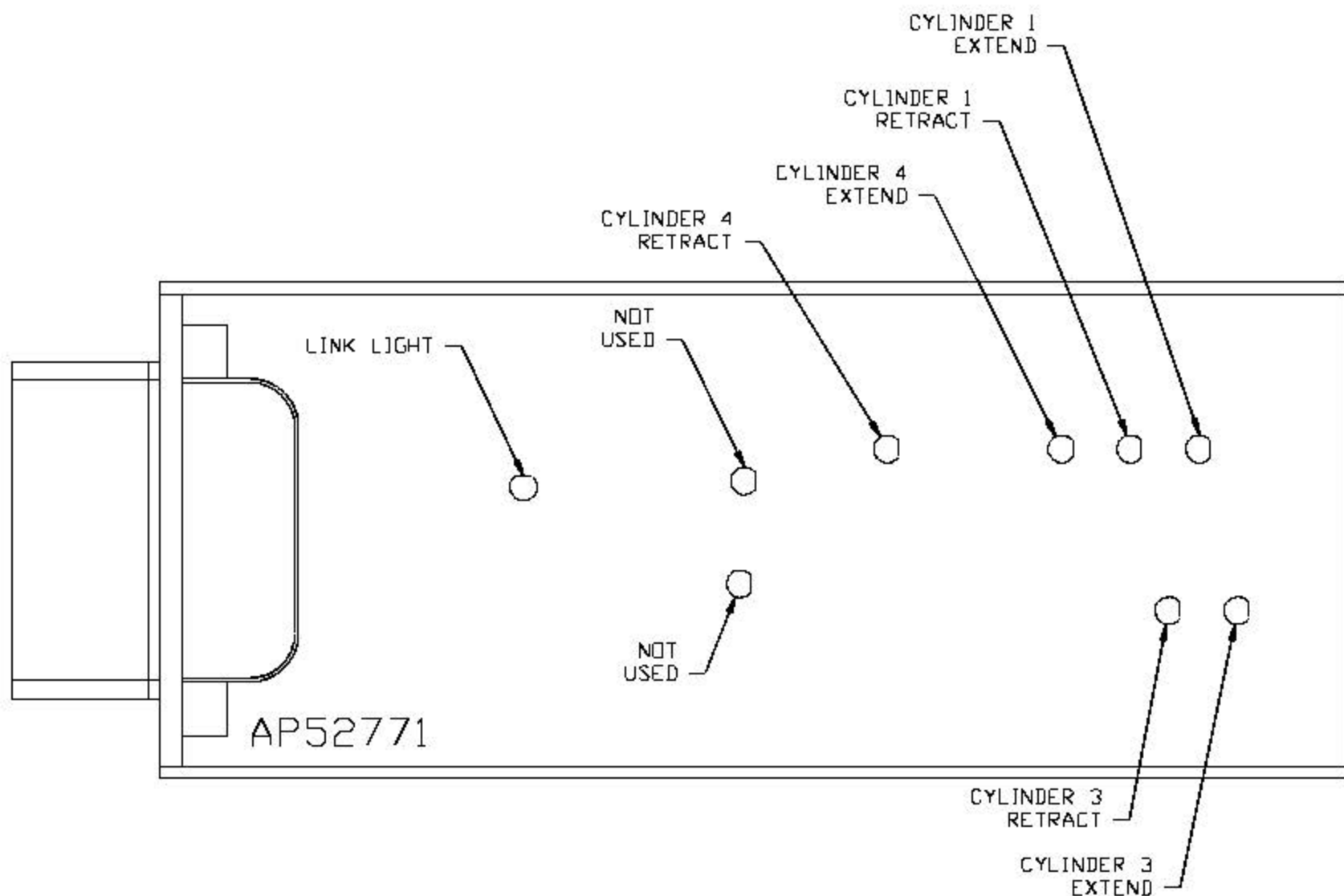
FRONT VIEW - AP52771



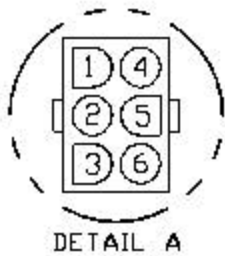
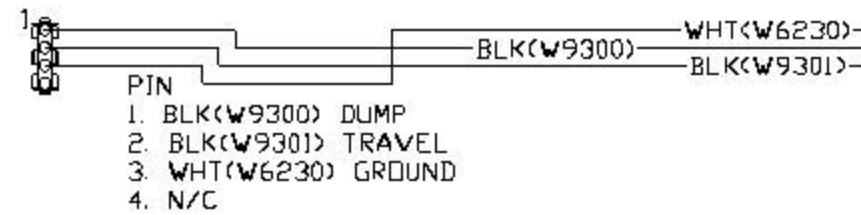
PIN

- A1. BLACK - N/C
- A2. YELLOW - CAN HIGH
- A3. N/C
- A4. N/C
- A5. BLK(W5700) - ROOM 1 OUT LIMIT SWITCH
- A6. BLK(W5000) - ROOM 1 EXTEND
- A7. BLK(W5100) - ROOM 1 RETRACT
- A8. BLK(W5705) - ROOM 3 IN LIMIT SWITCH
- B1. N/C
- B2. GREEN - CAN LOW
- B3. N/C
- B4. N/C
- B5. BLK(W5704) - ROOM 4 IN LIMIT SWITCH
- B6. BKK(W5001) - ROOM 4 EXTEND
- B7. BLK(W5101) - ROOM 4 RETRACT
- B8. BLK(W5702) - ROOM 3 OUT LIMIT SWITCH
- C1. BLK(W7500) - SYSTEM LATCH
- C2. CAN SHIELD
- C3. N/C
- C4. N/C
- C5. BLK(W5701) - ROOM 4 OUT LIMIT SWITCH
- C6. BLK(W5002) - ROOM 3 EXTEND
- C7. N/C
- C8. N/C
- D1. BLK(W6876) - SYSTEM WAKE UP
- D2. WHT(W6236) - LIMIT SWITCH GROUND
- D3. N/C
- D4. BLK(W5703) - ROOM 1 IN LIMIT SWITCH
- D5. N/C
- D6. N/C
- D7. N/C
- D8. BLK(W5102) - ROOM 3 RETRACT

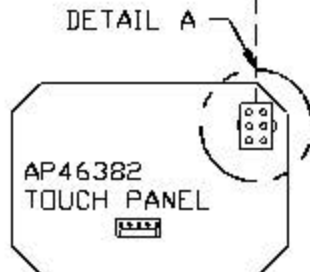
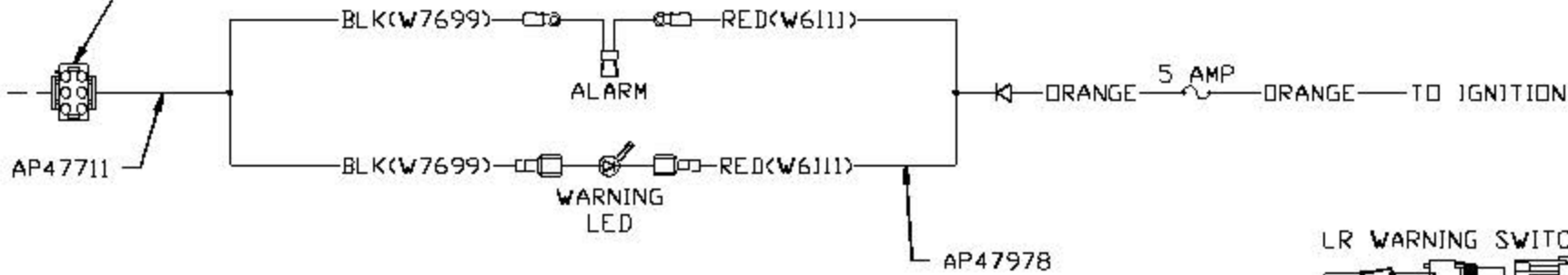
NOTE: WIRE NUMBERS ON THIS SHEET ARE REFERENCED TO HARNESS PLUGS.



TO DEM PROVIDED  
PILOT DUMP CONNECTION



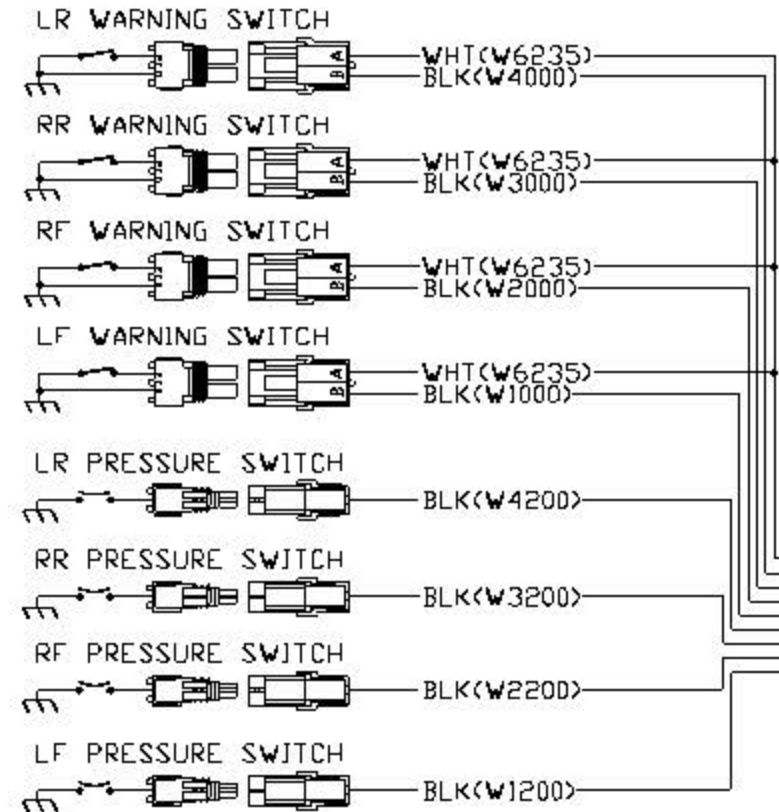
- PIN  
1. N/C  
2. N/C  
3. N/C  
4. N/C  
5. BLK(W7699) WARNING LED/ALARM CONTROL  
6. N/C



DETAIL A

- 1 5  
PIN  
1 YELLOW CAN HJ  
2 GREEN CAN LOW  
3 CAN SHIELD  
4 WHT(W6230) GROUND  
5 RED(W6800) POWER

120 OHM  
TERMINATION  
RESISTOR



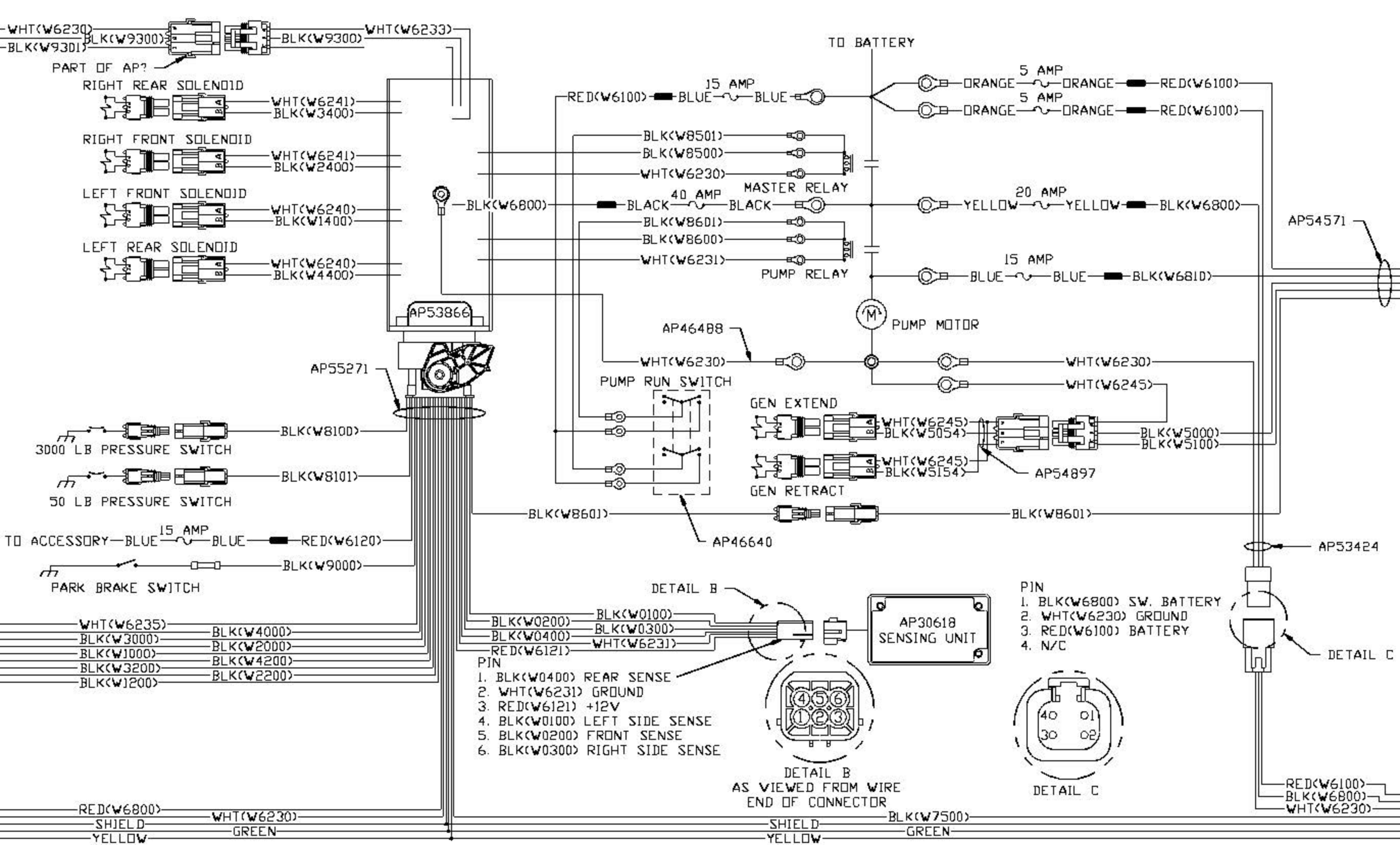
RED(W6800)  
SHIELD  
YELLOW

WHT(W6230)  
GREEN

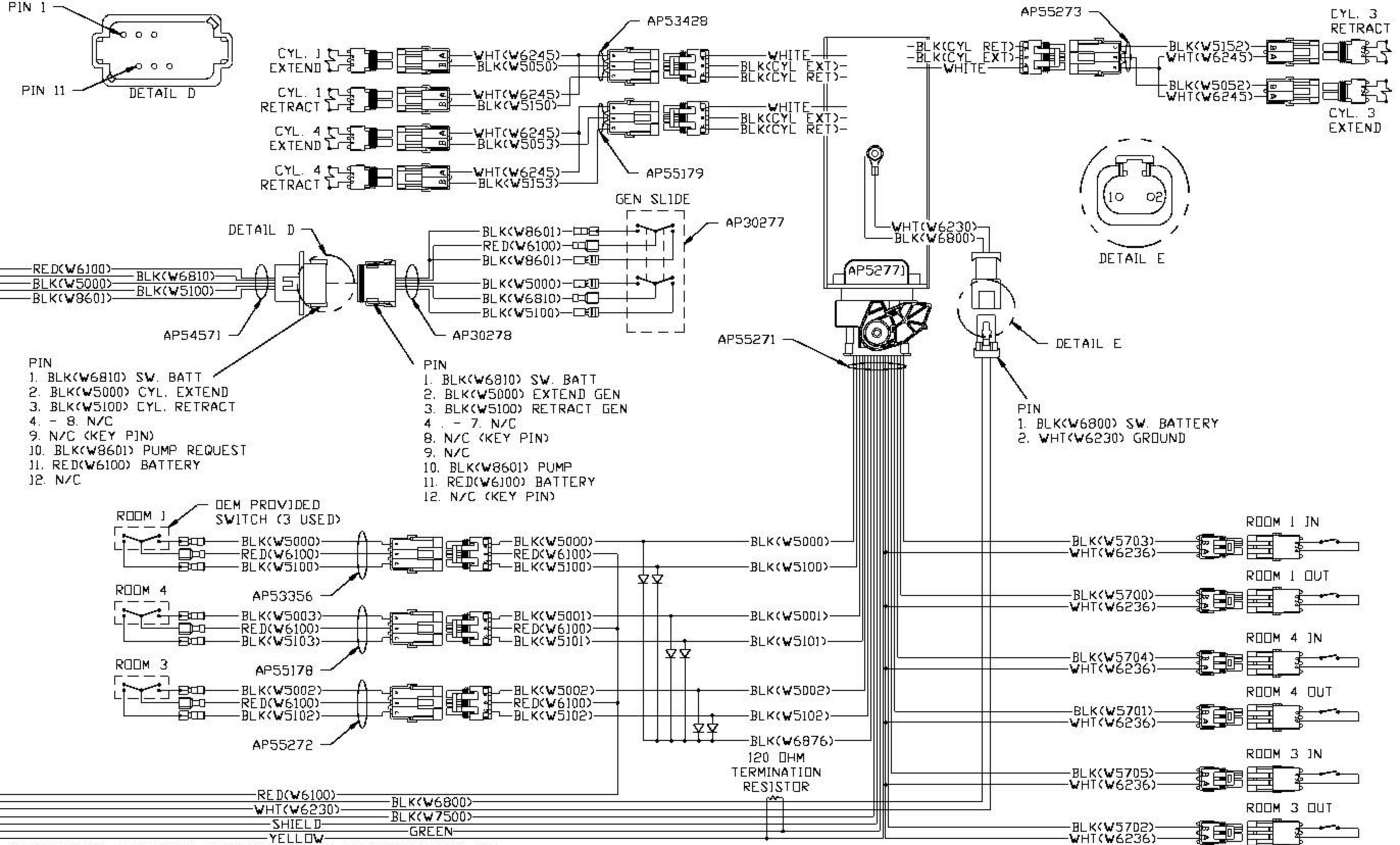
AP55271

NOTE: INSTALLATION MUST CONFORM TO GOOD SHOP PRACTICES, SAE STANDARDS, RV1A STANDARDS, AND OTHER APPLICABLE STANDARDS.

MP91114 C  
14MAY15



NOTE: INSTALLATION MUST CONFORM TO GOOD SHOP PRACTICES, SAE STANDARDS, RVIA STANDARDS, AND OTHER APPLICABLE STANDARDS.



- PIN
1. BLK(W6810) SW. BATT
  2. BLK(W5000) CYL. EXTEND
  3. BLK(W5100) CYL. RETRACT
  4. - 8. N/C
  9. N/C (KEY PIN)
  10. BLK(W8601) PUMP REQUEST
  11. RED(W6100) BATTERY
  12. N/C

- PIN
1. BLK(W6810) SW. BATT
  2. BLK(W5000) EXTEND GEN
  3. BLK(W5100) RETRACT GEN
  4. - 7. N/C
  8. N/C (KEY PIN)
  9. N/C
  10. BLK(W8601) PUMP
  11. RED(W6100) BATTERY
  12. N/C (KEY PIN)

- PIN
1. BLK(W6800) SW. BATTERY
  2. WHT(W6230) GROUND

NOTE: INSTALLATION MUST CONFORM TO GOOD SHOP PRACTICES, SAE STANDARDS, RVIA STANDARDS, AND OTHER APPLICABLE STANDARDS.