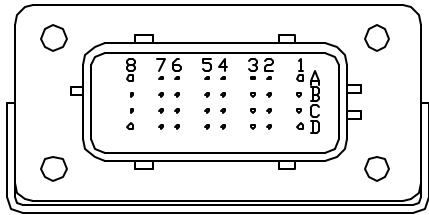
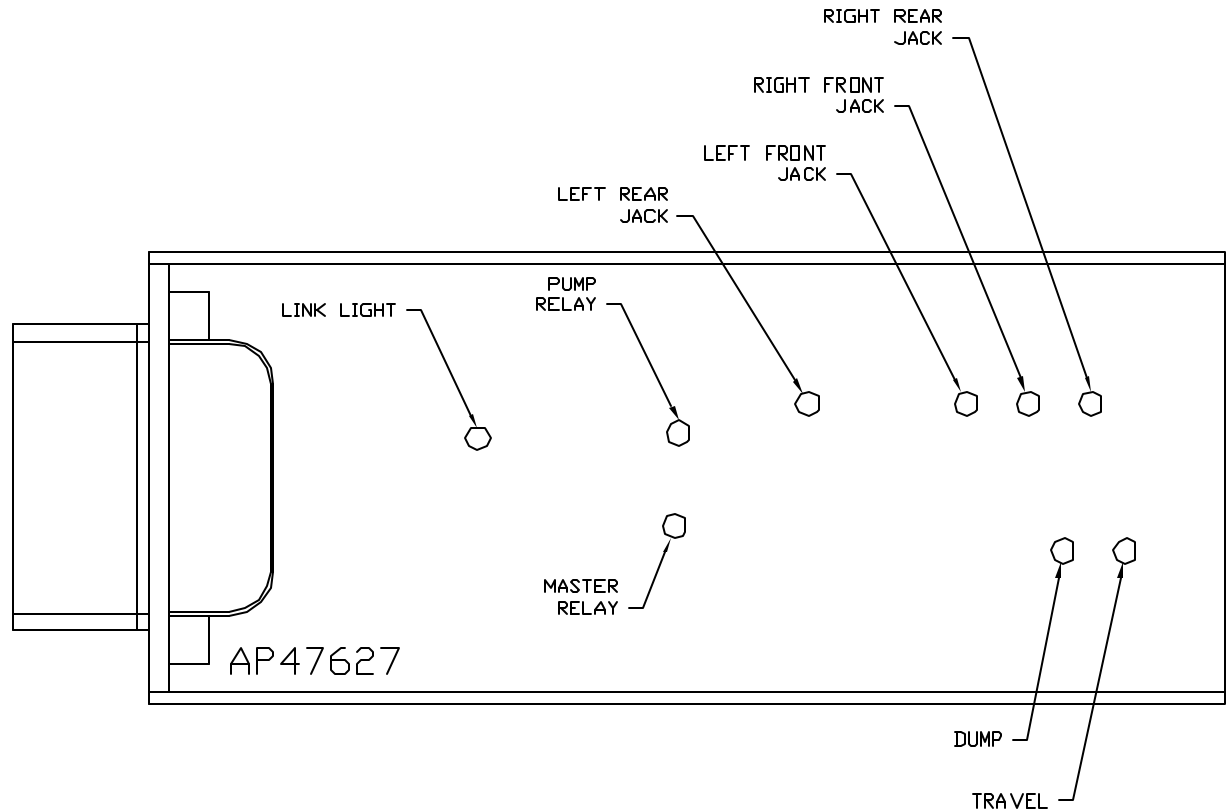


FRONT VIEW - AP47627

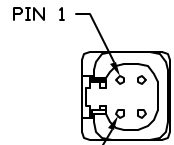


- PIN
- A1. BLK(W8601) - PUMP REQUEST
  - A2. YELLOW - CAN HIGH
  - A3. N/C
  - A4. N/C
  - A5. BLK(W2000) - RIGHT FRONT JACK WARNING SWITCH
  - A6. BLK(W2200) - RIGHT FRONT JACK PRESSURE SWITCH
  - A7. BLK(W3200) - RIGHT REAR JACK PRESSURE SWITCH
  - A8. BLK(W8101) - 50 LB. PRESSURE SWITCH
  - B1. RED(W6800) - TOUCH PANEL POWER
  - B2. GREEN - CAN LOW
  - B3. WHT(W6230) - TOUCH PANEL GROUND
  - B4. N/C
  - B5. BLK(W3000) - RIGHT REAR JACK WARNING SWITCH
  - B6. BLK(W4200) - LEFT REAR JACK PRESSURE SWITCH
  - B7. N/C
  - B8. BLK(W8100) - 3000 LB. PRESSURE SWITCH
  - C1. RED(W6121) - LEVEL SENSOR POWER
  - C2. CAN SHIELD
  - C3. WHT(W6231) - LEVEL SENSOR GROUND
  - C4. BLK(W0400) - REAR SENSE
  - C5. BLK(W4000) - LEFT REAR JACK WARNING SWITCH
  - C6. N/C
  - C7. N/C
  - C8. BLK(W0300) - RIGHT SIDE SENSE
  - D1. RED(W6120) - ACCESSORY
  - D2. WHT(W6235) - JACK WARNING SWITCH GROUND
  - D3. N/C
  - D4. BLK(W1000) - LEFT FRONT JACK WARNING SWITCH
  - D5. BLK(W1200) - LEFT FRONT JACK PRESSURE SWITCH
  - D6. BLK(W0100) - LEFT SIDE SENSE
  - D7. BLK(W0200) - FRONT SENSE
  - D8. BLK(W9000) - PARK BRAKE
- NOTE: WIRE NUMBERS ON THIS SHEET ARE REFERENCED TO HARNESS PLUGS.

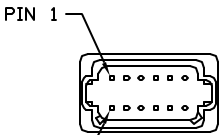


NOTE: INSTALLATION MUST CONFORM TO GOOD SHOP PRACTICES, SAE STANDARDS, RVIA STANDARDS, AND OTHER APPLICABLE STANDARDS.

		HWH		I-80 EXIT 267 SOUTH RT 1 MOSCOW, IOWA 52760	
		SCALE 1:3	DATE 20NOV15	DRAWN BY .	
		SYSTEM SCHEMATIC ELEC			
NO.	DATE	REVISION			
		THE INFORMATION DISCLOSED ON THIS DRAWING IS CONFIDENTIAL AND MUST NOT BE DISCLOSED OR USED IN ANY MANNER WHICH WILL BE DETRIMENTAL TO THE HWH CORPORATION			
				DRAWING NUMBER MP91179 A/E	

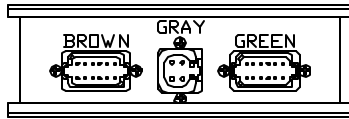


PIN 4



PIN 12

FRONT VIEW  
AP33582  
SPIDER INTERFACE BOX



BROWN  
PIN

- 1) BLK(W5150) CYL. 1 RETRACT
- 2) BLK(W5050) CYL. 1 EXTEND
- 3) N/C
- 4) N/C
- 5) N/C
- 6) N/C
- 7) N/C
- 8) N/C
- 9) BLK(W5053) CYL. 4 EXTEND
- 10) BLK(W5153) CYL. 4 RETRACT
- 11) BLK(W8601) PUMP
- 12) RED(W6100) BATT.

GRAY  
PIN

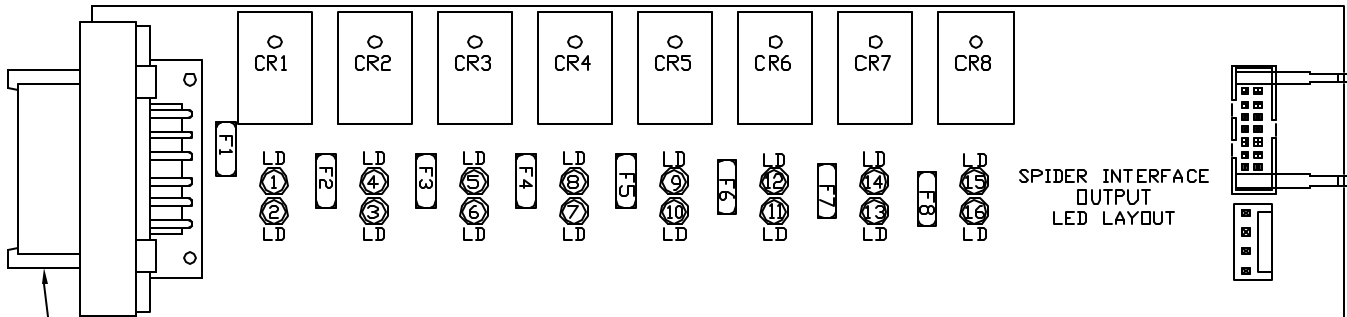
1. BLK(W6810) SW. BATT
2. BLK(W6810) SW. BATT
3. WHT(W6230) GROUND
4. WHT(W6230) GROUND

GREEN  
PIN

1. BLK(W7502) CYL. 1 RETRACT
2. BLK(W7505) NOT USED
3. BLK(W7508) NOT USED
4. BLK(W7511) CYL. 4 RETRACT
5. BLK(W7513) NOT USED
6. BLK(W7503) PUMP CONTROL
7. N/C (KEY PIN)
8. BLK(W7514) NOT USED
9. BLK(W7510) CYL. 4 EXTEND
10. BLK(W7507) NOT USED
11. BLK(W7504) NOT USED
12. BLK(W7501) CYL. 1 EXTEND

NOTE: DEUTSCH PIN NUMBERS TYPICAL UNLESS OTHERWISE NOTED

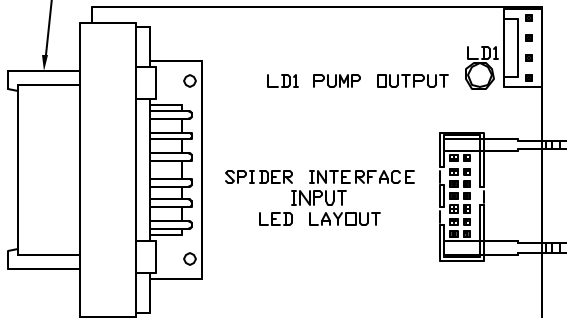
NOTE: WIRE NUMBERS ON THIS SHEET ARE REFERENCED TO HARNESS PLUGS.



SPIDER INTERFACE  
OUTPUT  
LED LAYOUT

BROWN

GREEN



LD1 PUMP OUTPUT

SPIDER INTERFACE  
INPUT  
LED LAYOUT

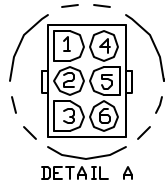
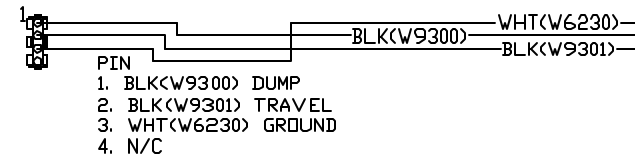
LED #	COLOR	INPUT J3	FUSE #	OUTPUT	RELAY #	DESCRIPTION
LED1	YELLOW	PIN 13	---	---	CR1	ROOM 1 EXTEND (COIL)
LED2	RED	---	FUSE 1 (15 AMP)	PIN 1	CR1	ROOM 1 EXTEND (CONTACT)
LED3	RED	---	FUSE 2 (15 AMP)	PIN 2	CR2	ROOM 1 RETRACT (CONTACT)
LED4	YELLOW	PIN 12	---	---	CR2	ROOM 1 RETRACT (COIL)
LED13	RED	---	FUSE 7 (15 AMP)	PIN 10	CR7	ROOM 4 RETRACT (CONTACT)
LED14	YELLOW	PIN 7	---	---	CR7	ROOM 4 RETRACT (COIL)
LED15	YELLOW	PIN 6	---	---	CR8	ROOM 4 EXTEND (COIL)
LED16	RED	---	FUSE 8 (15 AMP)	PIN 9	CR8	ROOM 4 EXTEND (CONTACT)

NOTE: INSTALLATION MUST CONFORM TO GOOD SHOP PRACTICES, SAE STANDARDS, RVIA STANDARDS, AND OTHER APPLICABLE STANDARDS.

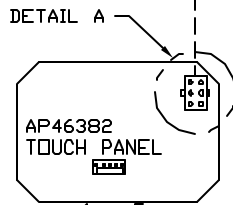
MP91179 B  
20NOV15

NOTE: AP46382 TOUCH PANEL AND AP47709 CHIME KIT WHICH INCLUDES AP47711 AND AP47978 ARE ORDERED SEPARATELY FROM HWH CORP.

TO OEM PROVIDED PILOT DUMP CONNECTION

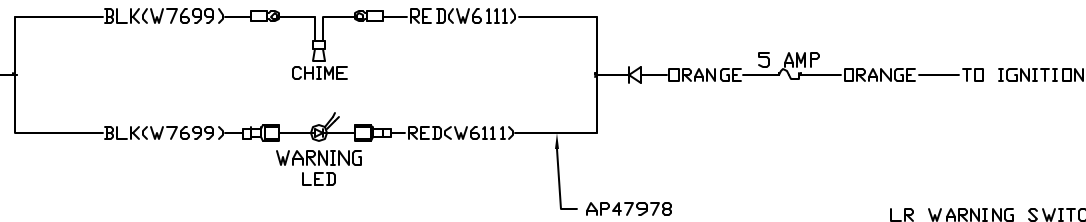


- PIN  
 1. N/C  
 2. N/C  
 3. N/C  
 4. N/C  
 5. BLK(W7699) WARNING LED/CHIME CONTROL  
 6. N/C

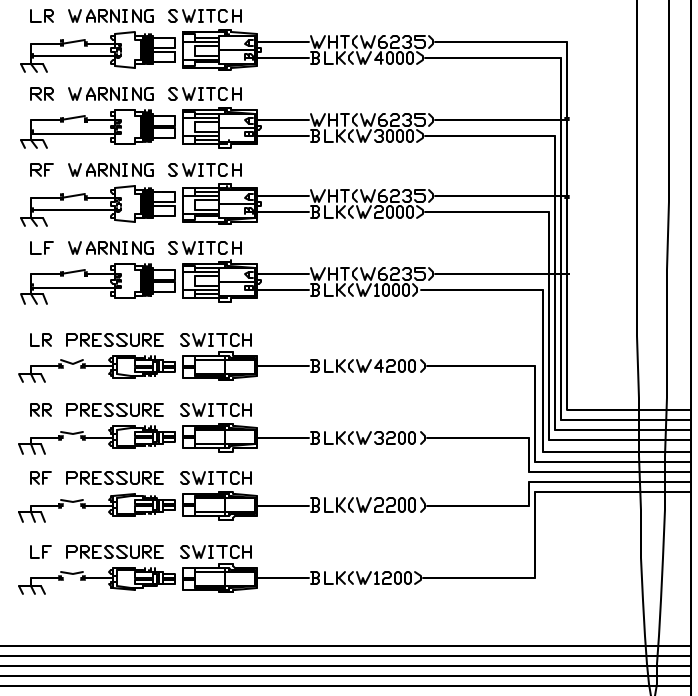


- PIN  
 1. YELLOW CAN HI  
 2. GREEN CAN LOW  
 3. CAN SHIELD  
 4. WHT(W6230) GROUND  
 5. RED(W6800) POWER

120 OHM TERMINATION RESISTOR

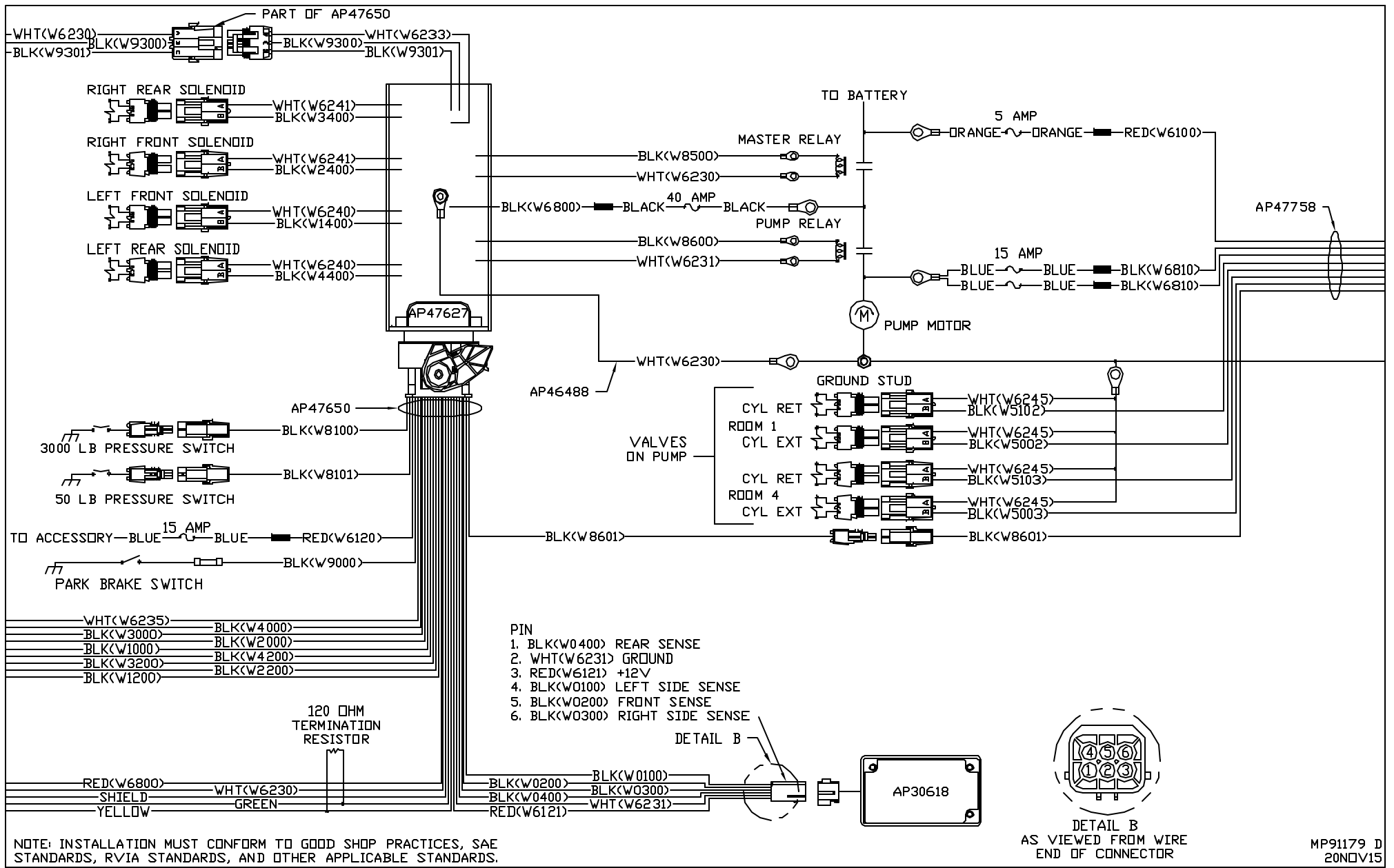


AP47650



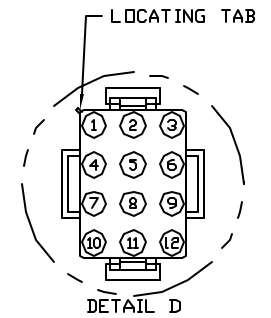
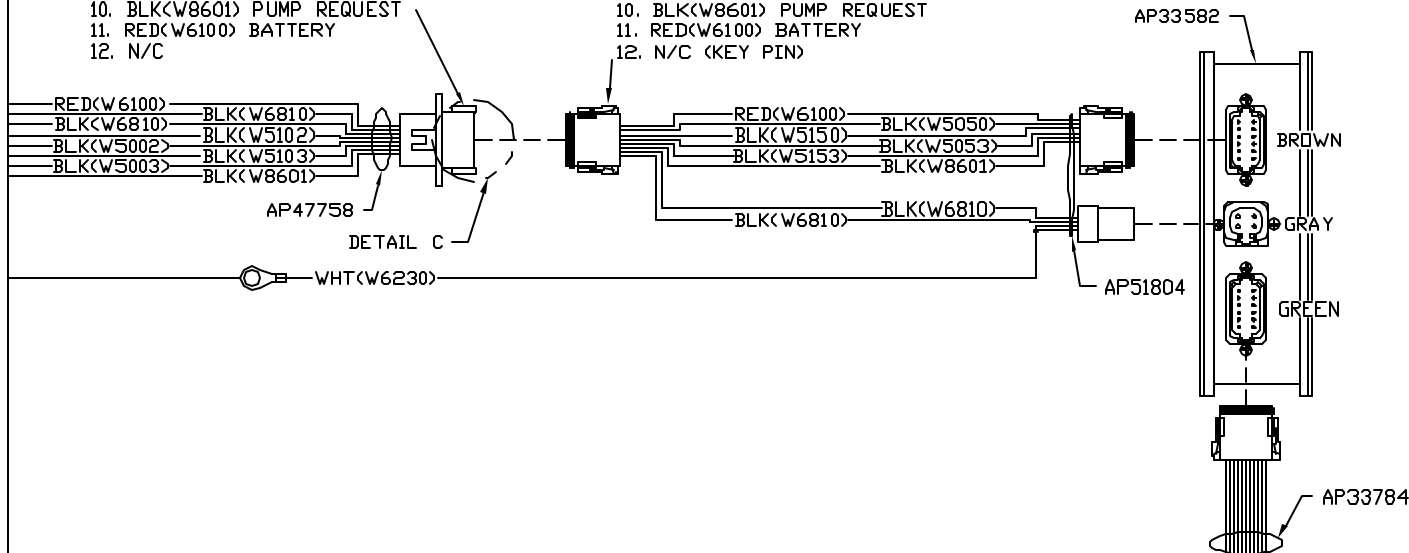
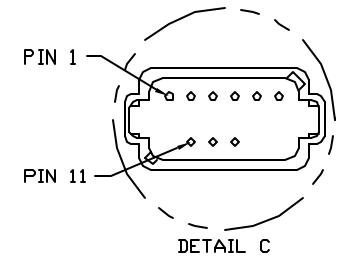
NOTE: INSTALLATION MUST CONFORM TO GOOD SHOP PRACTICES, SAE STANDARDS, RVIA STANDARDS, AND OTHER APPLICABLE STANDARDS.

MP91179 C  
20NOV15

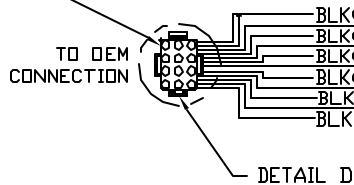


- PIN
1. BLK(W6810) SW. BATT ROOM 1
  2. BLK(W5102) CYL. RETRACT ROOM 1
  3. BLK(W5002) CYL. EXTEND ROOM 1
  4. BLK(W6810) SW. BATT ROOM 4
  5. BLK(W5103) CYL. RETRACT ROOM 4
  6. BLK(W5003) CYL. EXTEND ROOM 4
  7. N/C
  8. N/C
  9. N/C (KEY PIN)
  10. BLK(W8601) PUMP REQUEST
  11. RED(W6100) BATTERY
  12. N/C

- PIN
1. BLK(W6810) SW. BATT ROOM 1
  2. BLK(W5150) CYL. RETRACT ROOM 1
  3. BLK(W5050) CYL. EXTEND ROOM 1
  4. BLK(W6810) SW. BATT ROOM 4
  5. BLK(W5153) CYL. RETRACT ROOM 4
  6. BLK(W5053) CYL. EXTEND ROOM 4
  7. N/C
  8. N/C (KEY PIN)
  9. N/C
  10. BLK(W8601) PUMP REQUEST
  11. RED(W6100) BATTERY
  12. N/C (KEY PIN)



- PIN
- 1) BLK(W7501) CYL. 1 EXTEND
  - 2) BLK(W7502) CYL. 1 RETRACT
  - 3) BLK(W7504) NOT USED
  - 4) BLK(W7505) NOT USED
  - 5) BLK(W7507) NOT USED
  - 6) BLK(W7508) NOT USED
  - 7) BLK(W7510) CYL. 4 EXTEND
  - 8) BLK(W7511) CYL. 4 RETRACT
  - 9) BLK(W7513) NOT USED
  - 10) BLK(W7514) NOT USED
  - 11) BLK(W7503) PUMP CONTROL
  - 12) BLK(W7503) PUMP CONTROL



NOTE: ROOM EXTEND AND RETRACT LOGIC IS CONTROLLED BY SPIDER

NOTE: INSTALLATION MUST CONFORM TO GOOD SHOP PRACTICES, SAE STANDARDS, RVIA STANDARDS, AND OTHER APPLICABLE STANDARDS.